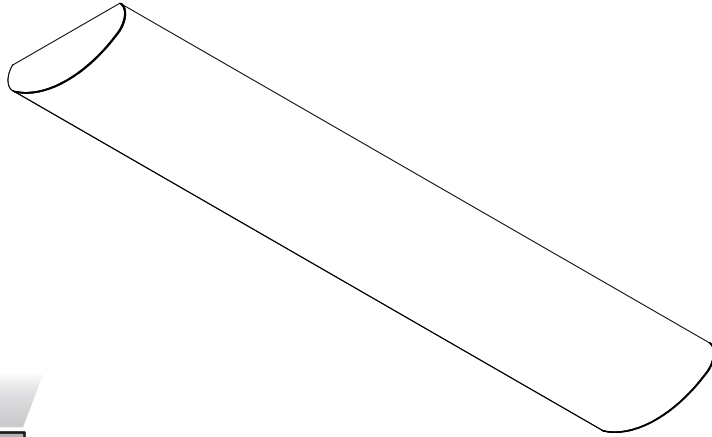




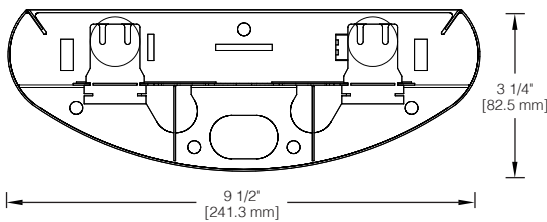
# Generation | G1-I

## Fluorescent Luminaire

DATE	NOTES
PROJECT	
TYPE	



Indirect



**HOUSING:** One-piece, die-formed 20-gauge cold rolled steel construction forming a 9 1/2" x 3 1/4" rounded profile. Finished end caps are cold rolled steel, with no exposed hardware or knockouts. Aligner brackets are provided to eliminate light leaks and for precision alignment of continuous rows.

**REFLECTOR:** Die-formed 20-gauge cold rolled steel finished in high gloss baked white enamel with die formed side reflectors. Optional specular anodized aluminum side reflectors are available.

**ELECTRICAL:** Ballast is electronic, low profile, universal voltage 120/277, high power factor, thermally protected, sound rated A with less than 10% total harmonic distortion. Luminaires in rows are prewired with quick connect through wiring. Integrated locking disconnects are standard. The minimum number of ballasts will be used unless otherwise specified. Please consult factory for lamp/ballast availability.

**MOUNTING:** Standard Installation is an adjustable self-locking aircraft cable assembly 48" x 3/32" in diameter with 5" canopy. One 16/4 SJT straight 54" cord is supplied with each power feed. Standard pendants are available in 24" lengths.

**FINISH:** Fixture housing and steel components are finished in baked white enamel applied over a five-stage pretreatment process.

**LAMPS:** Fixtures are provided for use with one, two, three or four T5, T5HO or T8 lamps (supplied by others).

**CERTIFICATION:** Luminaires are cULus listed and Union Made in the United States of America. I.B.E.W.

### Ordering Guide (choose from the lists below and specify)

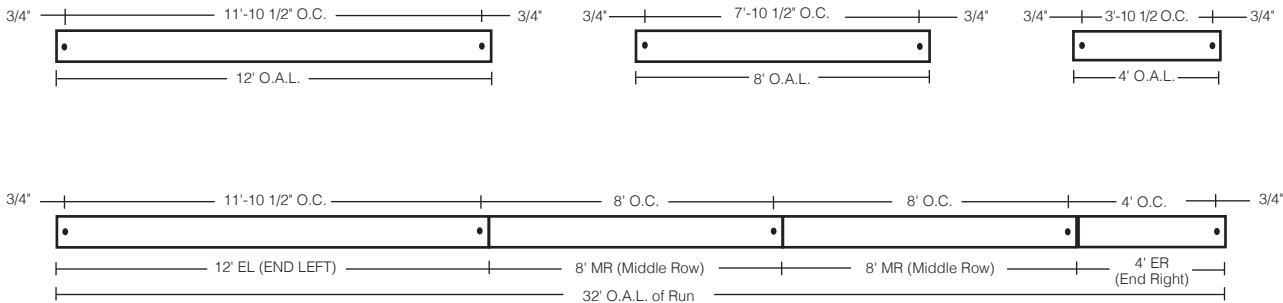
MODEL	DIRECTION	SHIELDING	NUMBER OF LAMPS	LAMPS	MOUNTING	ROW LENGTH	FINISH	VOLTAGE	OPTIONS*
<b>G1</b>									
G1	I = Indirect	1 = Solid (shown)	1 2 3 4	T5 T5HO T8	AC = Cable PD = Pendant	4 = 4 ft 8 = 8 ft For other, please enter row length (e.g. 48 = 48 ft)	W = White CC = Custom Color	UNV = 120/277	DIM10 = 0-10V Dimming DIMLV = Dimming Line Voltage DIMST = Step Dimming DIMHL = Dimming Lutron PRGS = Program Rapid Start S O C = Sensor Options E P C = Emergency Pack E M C = Emergency Circuit T C W = Two Circuit Wiring H E O = High Efficiency Optics**

\*For the complete list of all available options please visit [www.dayolite.com](http://www.dayolite.com)

\*\*Consult factory for High Efficiency Optics options (HEO).

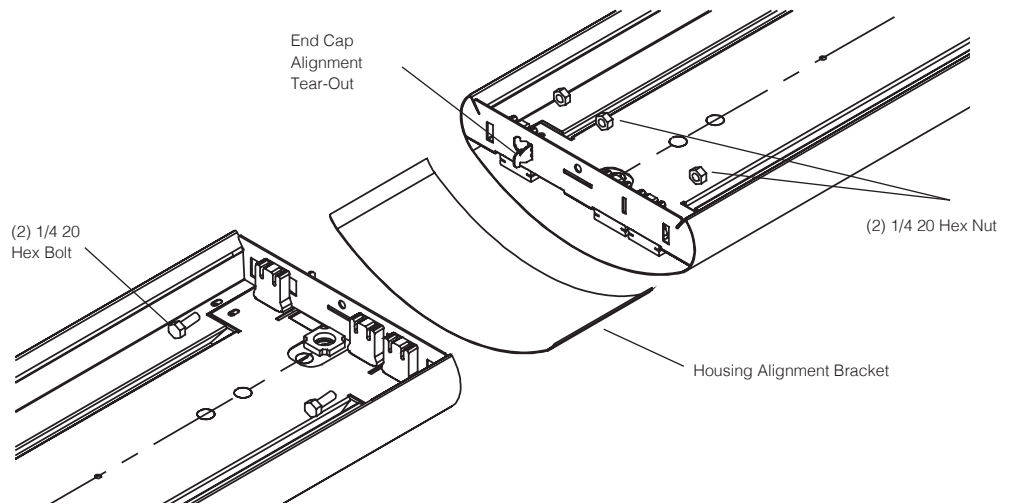


## Linear Sections and Suspension Location



## Installation Preparation

Fixtures in rows are joined with supplied hardware as shown. Standard installation is an adjustable self-locking aircraft cable assembly 48" x 3/32" in diameter with 5" canopy. One 16/4 SJT straight 54" cord is supplied with each power feed. Standard pendants are available in 24" lengths.



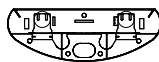
## Photometry

### COEFFICIENTS OF UTILIZATION—ZONAL CAVITY METHOD

pfc = 0.20

pcc	.8				.7				.5				.3				.1				0
pw	.7	.5	.3	.1	.7	.5	.3	.1	.5	.3	.1	.5	.3	.1	.5	.3	.1	.5	.3	.1	0
<b>RCR</b>																					
0	84	84	84	84	72	72	72	72	49	49	49	28	28	28	9	9	9	9	9	9	0
1	77	73	70	66	65	63	60	57	43	41	39	25	24	23	7	7	7	7	7	7	0
2	70	64	59	53	59	55	51	46	38	35	32	22	20	19	6	6	6	6	6	6	0
3	64	56	50	43	54	48	43	38	33	30	27	19	18	16	5	5	5	5	5	5	0
4	58	49	43	36	49	42	37	31	29	26	22	17	15	13	4	4	4	4	4	4	0
5	53	44	37	30	45	37	32	26	26	22	19	15	13	11	4	4	4	4	4	4	0
6	49	39	32	26	41	33	28	22	23	20	16	13	12	10	3	3	3	3	3	3	0
7	45	35	28	22	38	30	24	19	21	17	14	12	10	8	3	3	3	3	3	3	0
8	41	31	25	19	35	27	22	16	19	15	12	11	9	7	2	2	2	2	2	2	0
9	38	28	22	16	32	24	19	14	17	13	10	10	8	6	2	2	2	2	2	2	0
10	35	26	20	14	30	22	17	12	15	12	9	9	7	5	2	2	2	2	2	2	0

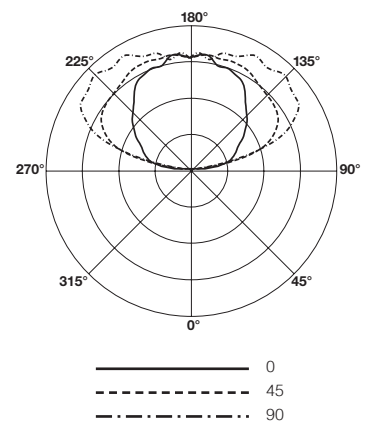
G1-I-2T8 (HEO)\*\*  
Total Luminaire Optical  
Efficiency = 88.5%



\*\*Consult factory for High Efficiency Optics options (HEO).

### CANDELA DISTRIBUTION

Vert. Angle	0	22.5	45	67.5	90
90	20	26	28	29	27
95	90	151	180	180	184
100	182	293	381	416	428
105	292	420	536	587	601
110	408	540	677	739	759
115	541	659	803	860	885
120	659	764	901	989	1007
125	774	879	972	1080	1116
130	883	972	1061	1131	1171
135	980	1059	1149	1189	1218
140	1085	1137	1212	1257	1279
145	1167	1205	1283	1320	1329
150	1225	1276	1324	1358	1384
155	1288	1304	1353	1387	1400
160	1335	1355	1391	1408	1416
165	1355	1380	1406	1407	1412
170	1386	1423	1399	1419	1416
175	1400	1413	1405	1396	1414
180	1381	1381	1381	1381	1381



— 0  
- - - 45  
- · - · - 90

Lamp (2) 32w T8  
Lumens: 2900 Per Lamp

Optical Distribution:  
100% Indirect