

Features

The NAS-ERA is one variation of a complete group of Recessed Direct luminaires featuring a metal perforated lamp shield with an acrylic overlay to obscure direct lamp image. The perforated lamp shield is asymmetrically positioned above the ceiling plane. Lamp output is distributed over a computer designed reflector system to provide soft glare-free illumination. The NAS-ERA series can be used in any installation where high performance and comfortable lighting are required.

Specifications

HOUSING: Die formed 20-gauge cold rolled steel finished in baked white enamel. Housing has an access plate on top with two 7/8" diameter knockouts.

SHIELDING: Die formed 20 gauge perforated steel lamp shield has a 58% opening with white acrylic .020 translucent overlay. The hinged lamp shield is removable for easy lamp access.

REFLECTOR: Die formed .020 steel 90% minimum reflectivity finished in low glare matte baked white enamel.

ELECTRICAL: Ballast is electronic, universal voltage 120/277, high power factor, thermally protected, sound rated A with less than 10% total harmonic distortion. The minimum number of ballasts will be used unless otherwise specified.

BALLAST DISCONNECT: Luminaires are pre-wired with integrated locking disconnects.

MOUNTING: Standard installation is 1 x 4 exposed inverted T-bar ceiling. Optional trims are also available for installations in miniature grid, drywall or plaster ceiling. For mounting detail information consult factory. Four support brackets are included with each fixture.

FINISH: Fixture housing and steel components are finished in baked white enamel applied over a five-stage pretreatment process.

LAMPS: Fixtures are provided for use with T8, T5, T5HO, or compact fluorescent lamps. (Supplied by Others)

CERTIFICATION: Luminaires are U.L. Listed, C.S.A. certified and are Union Made in the United States of America I.B.E.W.

TYPE

Ordering Guide

MODEL NO.	NUMBER OF LAMPS	LAMPS	SIZE	MOUNTING	FINISH	VOLTAGE	OPTIONS
NAS-ERA			14				
NAS-ERA	1	40-CF 50-CF T8 T5 T5HO	14 = 1 x 4	G = Standard Lay-in Grid MG = Miniature Grid F = Flanged	W = White CC = Custom Color	UNV = 120/277	DIM = Dimming Ballast EPC = Emergency Battery Pack EMC = Emergency Circuit ARS = Air return system FWH = Flexible wiring harness SPEC = Full Semi-Specular Aluminum Reflector OTH = Other options available, see page 355

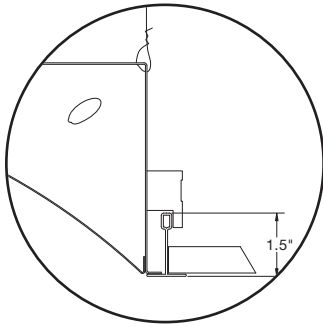
Example » NAS-ERA | 1T8 | 14 | G | W | UNV

New Age Series with perforated lamp shield one 32 watt T8 fluorescent 1 x 4 grid fixture finished in baked white enamel universal voltage electronic ballast less than 10% harmonics.



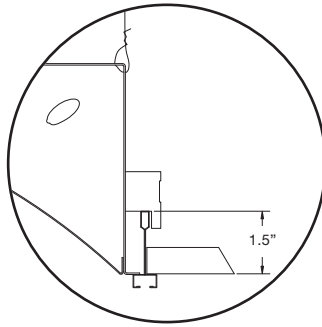
Linear Sections and Suspension Location

MOUNTING "G"



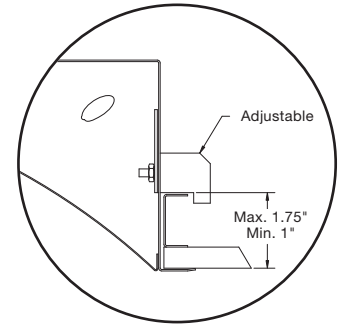
Std. 1 1/2" Inverted "T" Bar

MOUNTING "MG"



1 1/2" Miniature Grid Ceiling

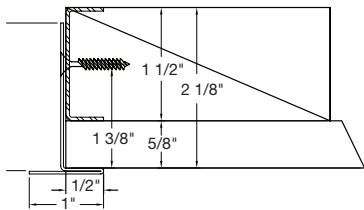
MOUNTING "F"



Plaster Or Dry Wall Ceiling
(Optional)

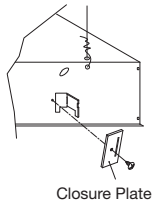
Installation Preparation

Plaster Frame Detail (All 4 Sides)

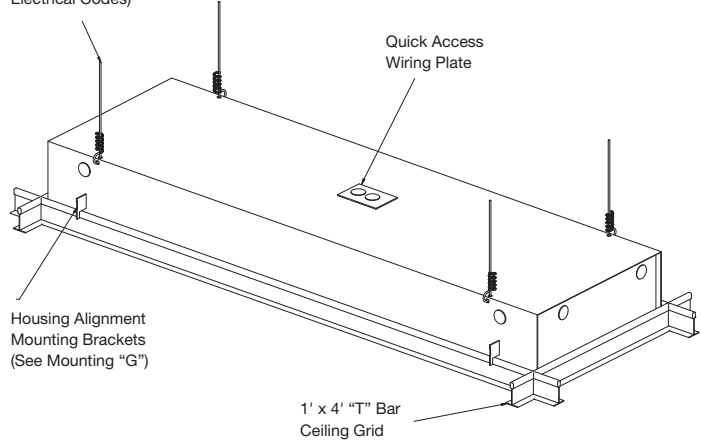


1' x 4' Plaster Frame Kit
Dry Wall Ceiling Aperture
13" x 49"

Side Elevation Detail
(See Mounting "G")



Wire Ties Or Chains
(By Others As Required
By National And Local
Electrical Codes)



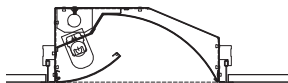
Photometry

COEFFICIENTS OF UTILIZATION-ZONAL CAVITY METHOD

pfc = 0.20

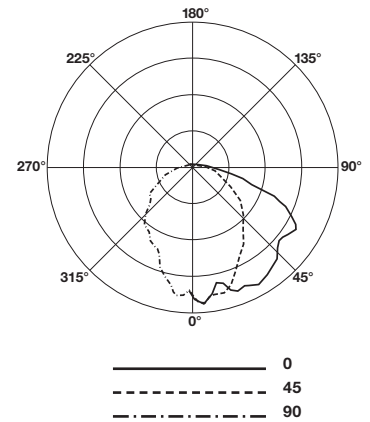
pcc pw	.8			.7			.5			.3			.1			0		
	.7	.5	.3	.1	.7	.5	.3	.1	.5	.3	.1	.5	.3	.1	.5	.3	.1	0
RCR																		
0	67	67	67	67	65	65	65	65	62	62	62	59	59	59	57	57	57	56
1	60	58	55	53	59	56	54	52	54	52	50	52	50	49	50	48	47	46
2	55	50	46	42	53	49	45	42	47	43	41	45	42	40	43	41	39	38
3	49	43	38	35	48	42	38	34	41	37	34	39	36	33	38	35	32	31
4	45	38	33	29	44	37	32	29	36	32	28	35	31	28	33	30	27	26
5	41	34	29	25	40	33	28	25	32	28	24	31	27	24	30	26	24	22
6	38	30	25	21	37	30	25	21	29	24	21	28	24	21	27	23	21	19
7	35	27	22	19	34	27	22	19	26	22	19	25	21	18	24	21	18	17
8	33	25	20	17	32	25	20	17	24	20	16	23	19	16	22	19	16	15
9	31	23	18	15	30	23	18	15	22	18	15	21	17	15	21	17	15	14
10	29	21	17	13	28	21	16	13	20	16	13	20	16	13	19	16	13	12

Total Luminaire Optical
Efficiency = 56.3%



CANDELA DISTRIBUTION

Vert. Angle	0	22.5	45	67.5	90
0	519	519	519	519	519
5	581	521	537	563	579
10	555	547	566	576	553
15	555	539	559	563	506
20	525	526	537	565	566
25	476	493	511	568	560
30	430	465	506	559	581
35	399	428	511	558	571
40	357	416	485	545	557
45	321	375	456	512	523
50	285	356	422	468	494
55	264	333	380	463	506
60	227	295	344	462	520
65	181	260	322	434	460
70	147	209	291	361	358
75	113	168	230	177	142
80	79.9	121	80.3	59.3	57.0
85	45.1	40.7	27.5	29.1	24.7
90	7.32	5.54	5.75	4.21	5.66



Lamp (1) 32w T8

Lumens: 2900 Per Lamp

Optical Distribution:
100% Direct

Day-O-Lite reserves the right to change product specifications without notice for product improvement.