

Features

The NAS-PIW is one variation of a complete group of Recessed Direct luminaires featuring a centered metal perforated lamp shield with an acrylic overlay to obscure direct lamp image. The centered perforated lamp shield is positioned above the ceiling plane. Lamp output is distributed over a computer designed reflector system to provide soft glare-free illumination. The NAS-PIW series can be used in any installation where high performance and comfortable lighting are required.

Specifications

HOUSING: Die formed 20-gauge cold rolled steel finished in baked white enamel. Housing has an access plate on top with two 7/8" diameter knockouts.

SHIELDING: Die formed 20 gauge perforated steel lamp shield has a 58% opening with white acrylic .020 translucent overlay. The hinged lamp shield is removable for easy lamp access.

REFLECTOR: Die formed .020 steel 90% minimum reflectivity finished in low glare matte baked white enamel.

ELECTRICAL: Ballast is electronic, universal voltage 120/277, high power factor, thermally protected, sound rated A with less than 10% total harmonic distortion. The minimum number of ballasts will be used unless otherwise specified.

BALLAST DISCONNECT: Luminaires are pre-wired with integrated locking disconnects.

MOUNTING: Standard installation is 2 x 4 exposed inverted T-bar ceiling. Optional trims are also available for installations in miniature grid, drywall or plaster ceiling. For mounting detail information consult factory. Four support brackets are included with each fixture.

FINISH: Fixture housing and steel components are finished in baked white enamel applied over a five-stage pretreatment process.

LAMPS: Fixtures are provided for use with T8, T5, T5HO lamps. (Supplied by Others)

CERTIFICATION: Luminaires are U.L. Listed, C.S.A. certified and are Union Made in the United States of America I.B.E.W.

TYPE

Ordering Guide

MODEL NO.	NUMBER OF LAMPS	LAMPS	SIZE	MOUNTING	FINISH	VOLTAGE	OPTIONS
NAS-PIW			24				
NAS-PIW	1	T8	24 = 2 x 4	G = Standard Lay-in Grid	W = White	UNV = 120/277	DIM = Dimming Ballast
	2	T5		MG = Miniature Grid	CC = Custom Color		EPC = Emergency Battery Pack
	3	T5HO		F = Flanged			EMC = Emergency Circuit
							TCW = Two Circuit Wiring
							ARS = Air return system
							FWH = Flexible wiring harness
							OTH = Other options available, see page 355

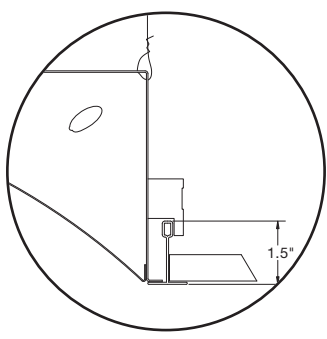
Example » NAS-PIW | 3 | T8 | 24 | G | W | UNV

New Age Series with perforated lamp shield three 32 watt T8 fluorescent 2 x 4 grid fixture finished in baked white enamel universal voltage electronic ballast less than 10% harmonics.



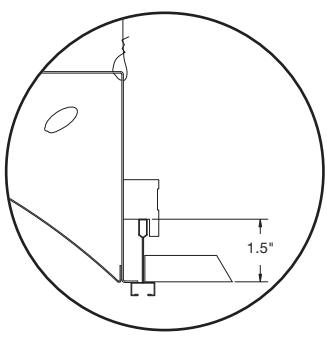
Linear Sections and Suspension Location

MOUNTING "G"



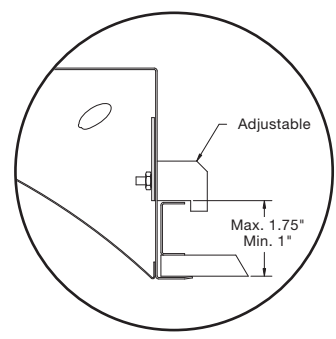
Std. 1 1/2" Inverted "T" Bar

MOUNTING "MG"



1 1/2" Miniature Grid Ceiling

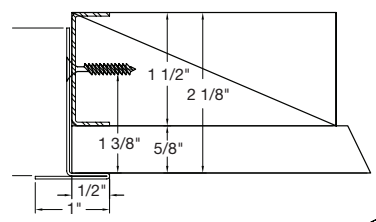
MOUNTING "F"



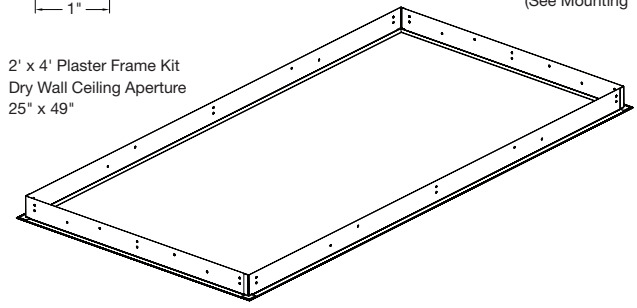
Plaster Or Dry Wall Ceiling
(Optional)

Installation Preparation

Plaster Frame Detail (All 4 Sides)

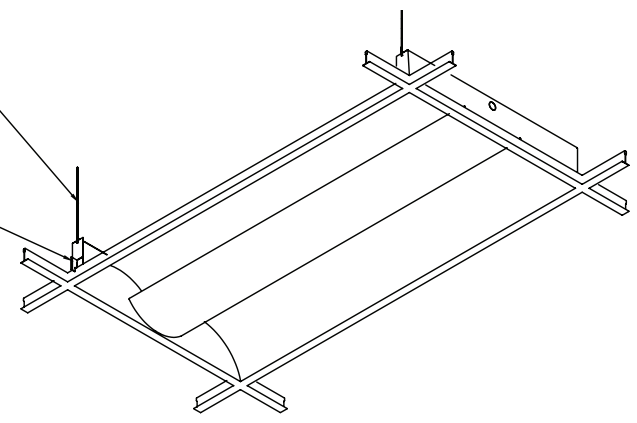


2' x 4' Plaster Frame Kit
Dry Wall Ceiling Aperture
25" x 49"



Wire Ties Or Chains
(By Others As Required
By National And Local
Electrical Codes)

Housing Alignment
Mounting Brackets
(See Mounting "G")



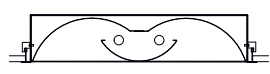
Photometry

COEFFICIENTS OF UTILIZATION-ZONAL CAVITY METHOD

pf_c = 0.20

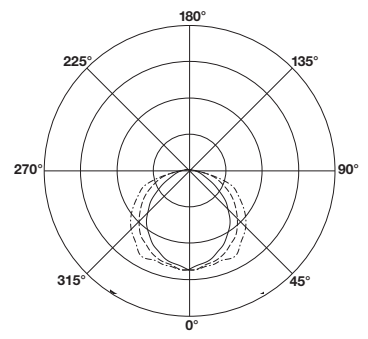
pcc	.8				.7				.5				.3				.1				0
pw	.7	.5	.3	.1	.7	.5	.3	.1	.5	.3	.1	.5	.3	.1	.5	.3	.1	.5	.3	.1	0
RCR																					
0	85	85	85	85	83	83	83	83	79	79	79	76	76	76	72	72	72	71	71	71	
1	77	74	71	68	75	72	69	67	69	67	65	66	64	63	60	60	60	59	59	59	
2	70	64	59	55	68	62	58	54	60	56	53	58	54	52	49	49	49	49	49	49	
3	63	56	50	45	62	55	49	45	52	48	44	51	46	43	41	41	41	41	41	41	
4	58	49	43	38	56	48	42	38	46	41	37	45	40	37	35	35	35	35	35	35	
5	53	44	37	32	52	43	37	32	42	36	32	40	35	32	30	30	30	30	30	30	
6	49	39	33	28	48	39	33	28	37	32	28	36	31	28	26	26	26	26	26	26	
7	45	36	29	25	44	35	29	25	34	29	25	33	28	24	23	23	23	23	23	23	
8	42	32	26	22	41	32	26	22	31	26	22	30	25	22	20	20	20	20	20	20	
9	39	30	24	20	38	29	24	20	29	23	20	28	23	20	18	18	18	18	18	18	
10	37	27	22	18	36	27	22	18	26	21	18	26	21	18	16	16	16	16	16	16	

Total Luminaire Optical
Efficiency = 70.9%



CANDELA DISTRIBUTION

Vert. Angle	0	22.5	45	67.5	90
0	1340	1340	1340	1340	1340
5	1319	1355	1358	1385	1369
10	1289	1311	1326	1351	1320
15	1277	1271	1302	1292	1322
20	1218	1228	1266	1302	1315
25	1158	1176	1222	1268	1290
30	1080	1106	1166	1243	1285
35	988	1016	1102	1186	1223
40	886	922	1022	1127	1201
45	770	818	951	1074	1124
50	659	716	863	998	1054
55	529	608	777	929	978
60	404	495	680	823	869
65	301	390	569	724	776
70	228	296	466	594	640
75	172	210	347	427	427
80	117	127	175	198	187
85	57.5	41.9	41.6	46.6	41.2
90	8.32	7.14	6.27	6.85	5.68



Lamp (2) 32w T8

Lumens: 2900 Per Lamp

Optical Distribution:
100% Direct

Day-O-Lite reserves the right to change product specifications without notice for product improvement.