

Features

The NAS-1513 is one variation of a complete group of Recessed Direct luminaires featuring a centered metal louver with two side metal perforated lamp shields with an acrylic overlay to obscure direct lamp image. The louver and side shield assembly is positioned above the ceiling plane. Lamp output is distributed over a computer designed reflector system to provide a direct accent lighting and a soft glare-free illumination from the metal perforated lamp shields. The NAS-1513 series can be used in any installation where high performance and comfortable lighting are required.

Specifications

HOUSING: Die formed 20-gauge cold rolled steel finished in baked white enamel. Housing has an access plate on top with two 7/8" diameter knockouts.

SHIELDING: Die formed 20-gauge 3/4" x 1" O.C. louver blades centered in fixture between two perforated steel lamp shields which have 41% opening with white acrylic .020 translucent overlay. The hinged lamp shield is removable for easy lamp access.

REFLECTOR: Die formed .020 steel 90% minimum reflectivity finished in low glare matte baked white enamel.

ELECTRICAL: Ballast is electronic, universal voltage 120/277, high power factor, thermally protected, sound rated A with less than 10% total harmonic distortion. The minimum number of ballasts will be used unless otherwise specified.

BALLAST DISCONNECT: Luminaires are pre-wired with integrated locking disconnects.

MOUNTING: Standard installation is 2 x 2 exposed inverted T-bar ceiling. Optional trims are also available for installations in miniature grid, drywall or plaster ceiling. For mounting detail information consult factory. Four support brackets are include with each fixture.

FINISH: Fixture housing and steel components are finished in baked white enamel applied over a five-stage pretreatment process.

LAMPS: Fixtures are provided for use with T8, T5, T5HO, or compact fluorescent lamps. (Supplied by Others)

CERTIFICATION: Luminaires are U.L. Listed, C.S.A. certified and are Union Made in the United States of America I.B.E.W.

TYPE

Ordering Guide

MODEL NO.	NUMBER OF LAMPS	LAMPS	SIZE	MOUNTING	FINISH	VOLTAGE	OPTIONS
NAS-1513							
NAS-PS	2 3	40CF 50CF T8 T5 T5HO	22 = 2 x 2 24 = 2 x 4	G = Standard Lay-in Grid MG = Miniature Grid F = Flanged	W = White CC = Custom Color	UNV = 120/277	DIM = Dimming Ballast EPC = Emergency Battery Pack EMC = Emergency Circuit TCW = Two Circuit Wiring ARS = Air return system FWH = Flexible wiring harness OTH = Other options available, see page 355

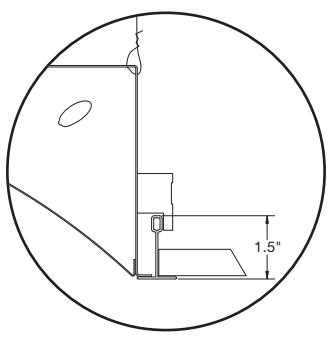
Example » **NAS-1513** | **3** | **40CF** | **22** | **G** | **W** | **UNV**

New Age Series with perforated lamp shield three 40 watt compact fluorescent 2 x 2 grid fixture finished in baked white enamel universal voltage electronic ballast less than 10% harmonics.



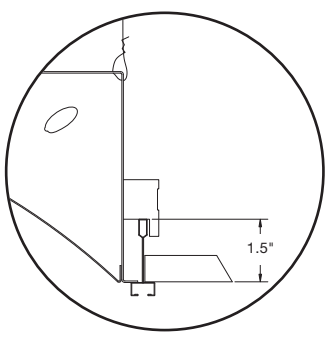
Linear Sections and Suspension Location

MOUNTING "G"



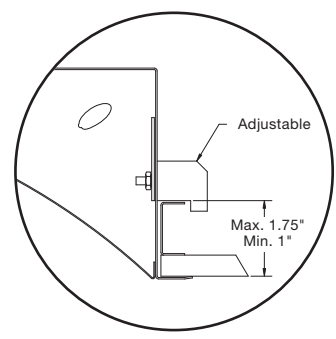
Std. 1 1/2" Inverted "T" Bar

MOUNTING "MG"



1 1/2" Miniature Grid Ceiling

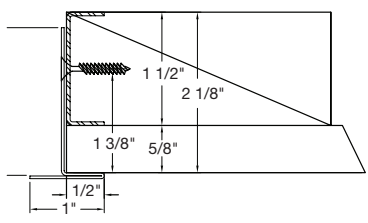
MOUNTING "F"



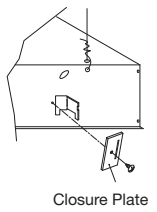
Plaster Or Dry Wall Ceiling (Optional)

Installation Preparation

Plaster Frame Detail (All 4 Sides)

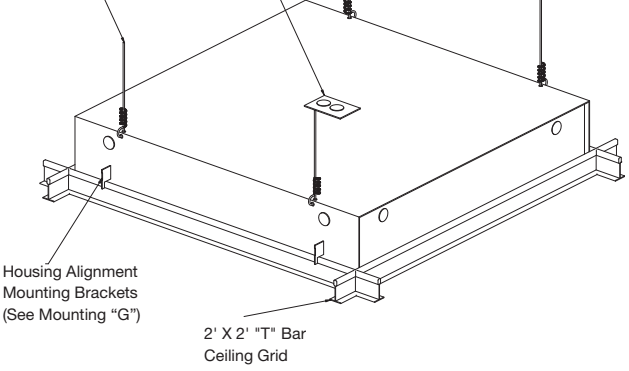


Side Elevation Detail (See Mounting "G")



Wire Ties Or Chains (By Others As Required By National And Local Electrical Codes)

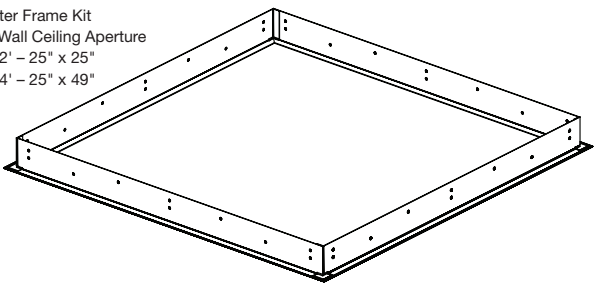
Quick Access Wiring Plate



Housing Alignment Mounting Brackets (See Mounting "G")

2' X 2' "T" Bar Ceiling Grid

Plaster Frame Kit
Dry Wall Ceiling Aperture
2' x 2' - 25" x 25"
2' x 4' - 25" x 49"



Photometry

COEFFICIENTS OF UTILIZATION-ZONAL CAVITY METHOD

pfc = 0.20

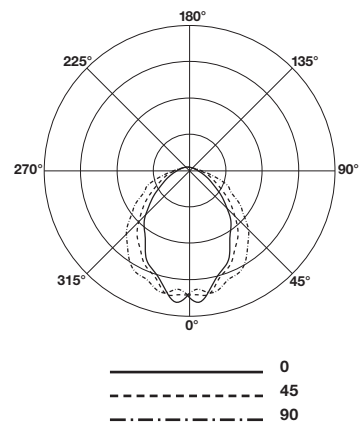
pcc	.8				.7				.5				.3				.1				0																				
pw	.7	.5	.3	.1	.7	.5	.3	.1	.5	.3	.1	.5	.3	.1	.5	.3	.1	.5	.3	.1	.5	.3	.1	.5	.3	.1	.5	.3	.1	.5	.3	.1	.5	.3	.1	.5	.3	.1			
RCR																																									
0	66	66	66	66	64	64	64	64	61	61	61	59	59	59	56	56	56	55	55	55	55	55	55	52	52	52	50	50	50	48	48	48	47	47	47	47	47	47			
1	61	58	56	54	59	57	55	53	55	53	52	52	51	50	50	49	48	47	46	45	45	44	43	43	42	41	41	40	39	40	38	36	34	34	34	34	33	31	30	30	30
2	56	51	48	45	54	50	47	44	48	46	43	47	44	42	45	43	41	40	38	36	34	34	34	34	33	31	30	29	27	26	26	26	26	25	23	22	22	22	22	21	20
3	51	45	41	38	50	45	41	38	43	40	37	41	39	36	40	38	36	34	33	31	30	30	30	30	29	27	26	26	24	23	23	23	23	22	20	19	19	19	19	18	17
4	47	41	36	32	46	40	36	32	38	35	32	37	34	31	36	33	31	30	29	27	26	26	26	26	25	23	22	22	21	20	20	20	20	19	18	18	18	17	17	17	17
5	43	36	32	28	42	36	31	28	35	31	28	34	30	27	33	30	27	26	26	26	26	25	23	22	22	21	20	20	19	18	18	18	18	17	17	17	17	17	17	16	15
6	40	33	28	25	39	32	28	25	31	27	24	30	27	24	30	26	24	23	23	23	23	22	20	19	19	18	18	18	17	17	17	17	17	16	15	15	15	15	15	14	13
7	37	30	25	22	36	29	25	22	29	25	22	28	24	22	27	24	21	20	20	20	20	19	18	18	18	17	17	17	16	16	16	16	16	15	14	14	14	14	14	13	12
8	35	27	23	20	34	27	23	20	26	22	20	26	22	19	25	22	19	18	18	18	18	17	16	16	16	15	15	15	14	14	14	14	14	13	12	12	12	12	12	11	10
9	32	25	21	18	32	25	21	18	24	20	18	24	20	18	23	20	17	17	17	17	17	16	15	15	15	14	14	14	13	13	13	13	13	12	11	11	11	11	11	10	9
10	30	23	19	16	30	23	19	16	22	19	16	22	18	16	21	18	16	15	15	15	15	14	13	13	13	12	12	12	11	11	11	11	11	10	9	9	9	9	9	8	7

Total Luminaire Optical Efficiency = 55.5%



CANDELA DISTRIBUTION

Vert. Angle	0	22.5	45	67.5	90
0	1543	1543	1543	1543	1543
5	1637	1562	1547	1576	1478
10	1519	1479	1552	1553	1539
15	1377	1393	1421	1465	1519
20	1294	1310	1338	1385	1445
25	1200	1184	1266	1323	1425
30	1029	1043	1149	1266	1370
35	917	926	1060	1155	1260
40	814	826	947	1077	1146
45	667	682	804	951	1044
50	542	565	682	821	886
55	408	453	548	685	774
60	314	335	426	556	614
65	230	247	334	468	547
70	158	169	256	354	386
75	107	108	147	195	206
80	70.7	68.5	61.7	78.0	82.5
85	36.4	28.1	22.6	25.6	32.2
90	5.79	4.45	6.56	5.18	6.26



Lamp (3) 40w C.F.
Lumens: 3150 Per Lamp

Optical Distribution:
100% Direct

Day-O-Lite reserves the right to change product specifications without notice for product improvement.