

Features

The Jazz PBL Flat End DI is one variation of a complete family of direct/indirect fluorescent luminaires. Constructed of perforated steel, it features uninterrupted, perfectly aligned continuous rows. The Jazz PBL Flat End DI series is furnished with a continuous fluorescent task down light. The Jazz PBL Flat End DI series can be furnished with a wide variety of perforated accent patterns in addition to the standard pattern. The standard pattern is two continuous perforated sections 5" wide on each side separated by a 3" parabolic louver in the center of the fixture. The perforations are 1/16" holes on 3/32" straight centers. Laser cut corporate logos can also be supplied as a feature for reception areas and conference rooms. The computer designed optical system creates a widespread indirect distribution, while the variety of direct components provides useful contrast.

Specifications

HOUSING: Two piece die formed 20-gauge cold rolled steel welded construction forming a 13" x 3 1/2" rounded profile. Continuous perforated sections are 1/16" x 3/32" straight centers with white .020 translucent overlay. Center section of fixture provides down task lighting. Finished end caps are 18-gauge cold rolled steel with no exposed hardware or knockouts. Special logo designs and perforated patterns are available. Dual mounting must be used when aircraft cable is installed for hanging.

REFLECTOR: Die formed 20 gauge cold rolled steel minimum 90% reflectivity finished in high gloss baked white enamel. Die formed specular reflector is also available.

ELECTRICAL: Ballast is electronic, low-profile, universal voltage 120/277, high power factor, thermally protected, sound rated A with less than 10% total harmonic distortion. Luminaires in rows are pre-wired with quick connect through wiring. The minimum number of ballasts will be used unless otherwise specified. Please consult factory for lamp/ballast availability.

BALLAST DISCONNECT: Luminaires are pre-wired with integrated locking disconnects.

MOUNTING: Standard Installation is an adjustable self-locking aircraft cable assembly 48" x 3/32" in diameter with 5" canopy. One 16/4 SJT straight 54" cord is supplied with each power feed. Standard pendants are available in 24" lengths. See Mounting Options pages for additional mounting.

FINISH: Fixture housing and steel components are finished in baked white enamel applied over a five-stage pretreatment process.

LAMPS: Fixtures are provided for use with two or three T8, T5 or T5HO lamps for direct and indirect lighting. (Supplied by Others)

CERTIFICATION: Luminaires are U.L. Listed, C.S.A. certified and are Union Made in the United States of America I.B.E.W.

TYPE

Ordering Guide

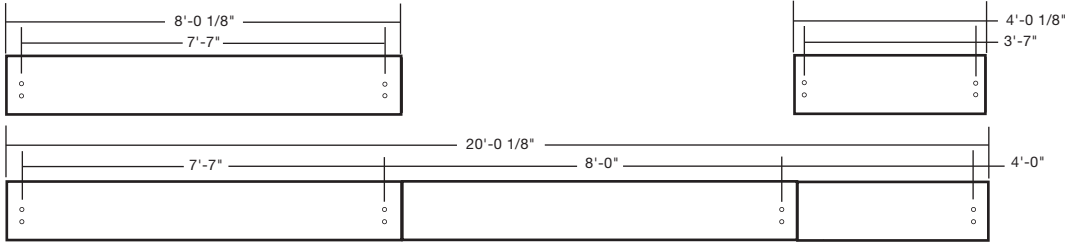
MODEL NO.	DIRECTION	SHIELDING	NUMBER OF LAMPS	LAMPS	MOUNTING	ROW LENGTH	FINISH	VOLTAGE	OPTIONS
JAZ-FE	DI								
JAZ-FE	DI = Direct/ Indirect	SRB = Radial Baffle PRB = Perforated Radial Baffle PBL = Parabolic Louver SL = Special Logo	2 3	T8 T5 T5HO	AC = Cable PD = Pendant Other mounting options available, see pgs. 357-359	4 = 4 ft 8 = 8 ft For other, please enter row length (eg. 48 = 48 ft)	W = White CC = Custom Color	UNV = 120/277	DIM = Dimming Ballast EPC = Emergency Battery Pack EMC = Emergency Circuit TCW = Two Circuit Wiring OTH = Other options available, see page 355

Example » **JAZ-FE | DI | SRB | 3T8 | AC | 4 | W | UNV**

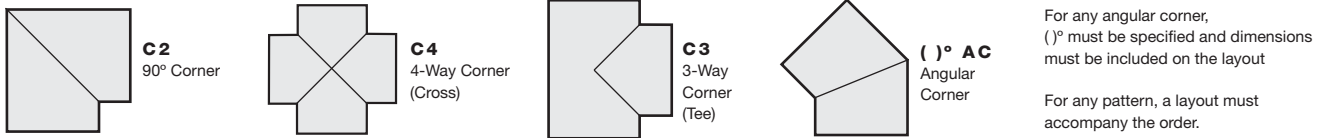
Jazz flat end with downlight aperture direct/indirect luminaire with radial baffle shielding for three 32 watt T8 with two 48 inch air craft cable and power feed four foot fixture finished in baked white enamel universal voltage electronic ballast less than 10% total harmonic distortion.

Linear Sections and Suspension Location

SUSPENSION MOUNTING

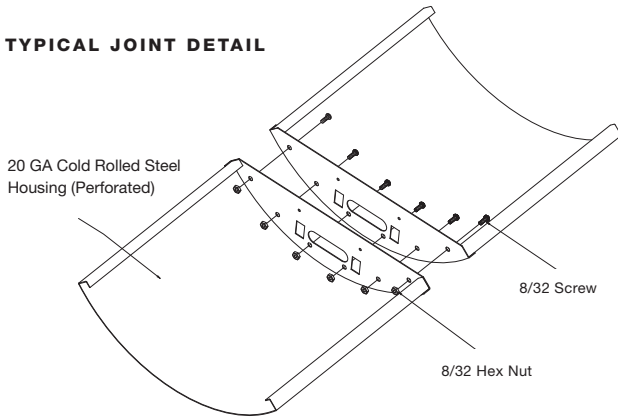


CORNERS Corners and fixture extensions are custom fabricated to precise dimensions. Please indicate the specific requirements on the layout

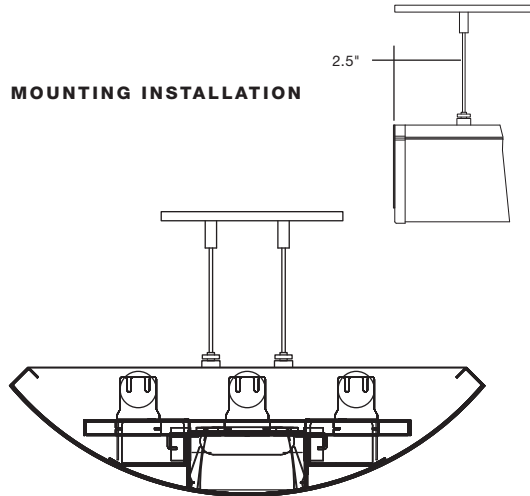


Installation Preparation

TYPICAL JOINT DETAIL



MOUNTING INSTALLATION



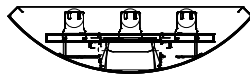
Photometry

COEFFICIENTS OF UTILIZATION-ZONAL CAVITY METHOD

pfc = 0.20

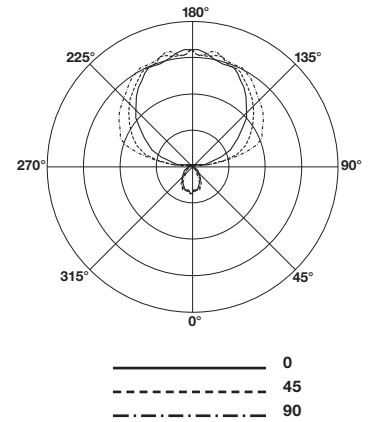
pcc	.8			.7			.5			.3			.1			0		
pw	.7	.5	.3	.1	.7	.5	.3	.1	.5	.3	.1	.5	.3	.1	.5	.3	.1	0
RCR																		
0	87	87	87	87	76	76	76	76	56	56	56	37	37	37	20	20	20	13
1	79	75	72	69	69	66	64	61	49	47	46	33	32	31	17	17	17	11
2	72	66	61	57	63	58	54	50	43	40	38	29	27	26	14	14	14	9
3	66	58	52	47	57	51	46	42	38	34	32	26	24	22	12	12	12	8
4	60	51	45	40	52	45	40	35	33	30	27	23	20	19	10	10	10	7
5	55	45	39	34	48	40	34	30	30	26	23	20	18	16	9	9	9	6
6	50	40	34	29	44	36	30	26	27	23	20	18	16	14	8	8	8	5
7	46	36	30	25	40	32	26	22	24	20	17	16	14	12	7	7	7	5
8	43	33	26	22	37	29	23	20	22	18	15	15	13	11	6	6	6	4
9	40	30	23	19	35	26	21	17	20	16	13	14	11	10	5	5	5	4
10	37	27	21	17	32	24	19	15	18	14	12	13	10	9	5	5	5	3

Total Luminaire Optical Efficiency = 87.8%



CANDELA DISTRIBUTION

Vert. Angle	0	22.5	45	67.5	90
0	505	505	505	505	505
10	451	455	449	472	485
20	430	406	449	445	462
30	407	391	342	285	267
40	350	314	188	150	181
50	285	186	187	310	425
60	138	111	164	171	186
70	48.1	48.1	57.7	64.3	69.0
80	26.2	29.0	39.2	47.7	57.0
90	23.4	36.4	48.7	58.8	61.6
100	275	431	573	595	596
110	543	676	915	1113	1158
120	812	917	1108	1276	1339
130	1061	1146	1291	1410	1474
140	1273	1359	1496	1559	1587
150	1444	1554	1644	1723	1787
160	1586	1650	1722	1773	1793
170	1626	1645	1711	1756	1699
180	1713	1713	1713	1713	1713



Lamp (3) 32w T8

Lumens: 2900 Per Lamp

Optical Distribution:
15% Direct; 85% Indirect

Day-O-Lite reserves the right to change product specifications without notice for product improvement.