

Features

The NAS-POV is one variation of a complete group of Recessed Direct/ Indirect luminaires featuring a centered metal perforated "V" shaped lamp shield with an acrylic overlay to obscure direct lamp image. The centered perforated lamp shield is positioned below the ceiling plane. Lamp output is distributed over a computer designed reflector system to provide soft glare-free illumination. The NAS-POV series can be used in any installation where high performance and comfortable lighting are required.

Specifications

HOUSING: Die formed 20-gauge cold rolled steel finished in baked white enamel. Housing has an access plate on top with two 7/8" diameter knockouts.

SHIELDING: Die formed 20 gauge perforated steel lamp shield has a 58% opening with white acrylic .020 translucent overlay. The end caps are 18 gauge and welded to lamp shield. The hinged lamp shield is removable for easy lamp access.

REFLECTOR: Die formed .020 steel 90% minimum reflectivity finished in low glare matte baked white enamel.

ELECTRICAL: Ballast is electronic, universal voltage 120/277, high power factor, thermally protected, sound rated A with less than 10% total harmonic distortion. The minimum number of ballasts will be used unless otherwise specified.

BALLAST DISCONNECT: Luminaires are pre-wired with integrated locking disconnects.

MOUNTING: Standard installation is 2 x 2 exposed inverted T-bar ceiling. Optional trims are also available for installations in miniature grid, drywall or plaster ceiling. For mounting detail information consult factory. Four support brackets are included with each fixture.

FINISH: Fixture housing and steel components are finished in baked white enamel applied over a five-stage pretreatment process.

LAMPS: Fixtures are provided for use with T8, T5, T5HO, or compact fluorescent lamps. (Supplied by Others)

CERTIFICATION: Luminaires are U.L. Listed, C.S.A. certified and are Union Made in the United States of America I.B.E.W.

TYPE

Ordering Guide

MODEL NO.	NUMBER OF LAMPS	LAMPS	SIZE	MOUNTING	FINISH	VOLTAGE	OPTIONS
NAS-POV			22				
NAS-POV	2 3	40-CF 50-CF T8 T5 T5HO	22 = 2 x 2	G = Standard Lay-in Grid MG = Miniature Grid F = Flanged	W = White CC = Custom Color	UNV = 120/277	DIM = Dimming Ballast EPC = Emergency Battery Pack EMC = Emergency Circuit TCW = Two Circuit Wiring ARS = Air return system FWH = Flexible wiring harness OTH = Other options available, see page 355

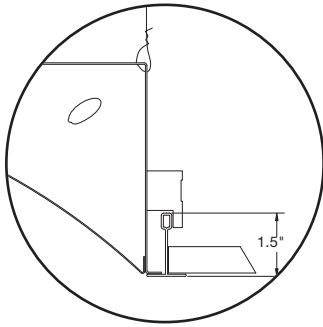
Example » NAS-POV | 240CF | 22 | G | W | UNV

New Age Series with perforated V shape lamp shield two 40 watt compact fluorescent 2 x 2 grid fixture finished in baked white enamel universal voltage electronic ballast less than 10% harmonics.



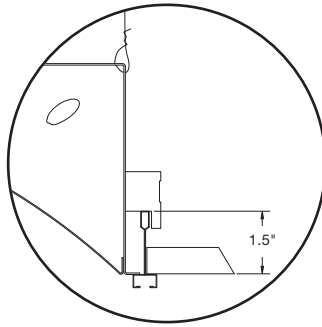
Linear Sections and Suspension Location

MOUNTING "G"



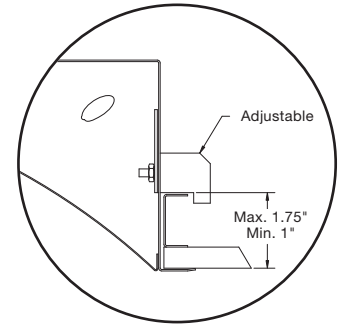
Std. 1 1/2" Inverted "T" Bar

MOUNTING "MG"



1 1/2" Miniature Grid Ceiling

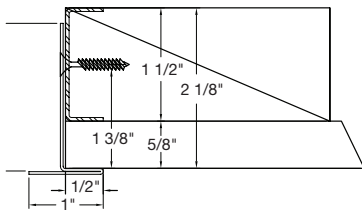
MOUNTING "F"



Plaster Or Dry Wall Ceiling
(Optional)

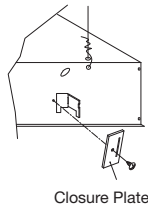
Installation Preparation

Plaster Frame Detail (All 4 Sides)



2' x 2' Plaster Frame Kit
Dry Wall Ceiling Aperture
25" x 25"

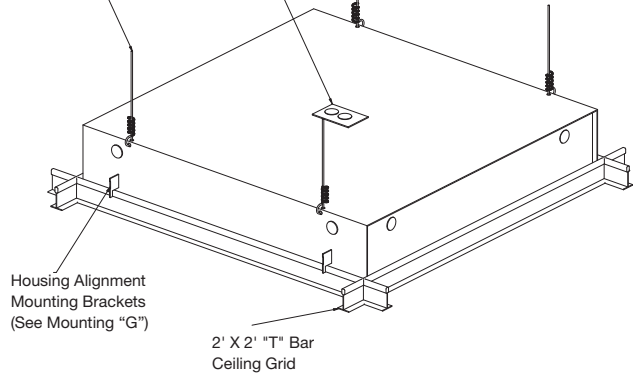
Side Elevation Detail
(See Mounting "G")



Closure Plate

Wire Ties Or Chains
(By Others As Required
By National And Local
Electrical Codes)

Quick Access
Wiring Plate



Housing Alignment
Mounting Brackets
(See Mounting "G")

2' X 2' "T" Bar
Ceiling Grid

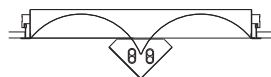
Photometry

COEFFICIENTS OF UTILIZATION-ZONAL CAVITY METHOD

pfc = 0.20

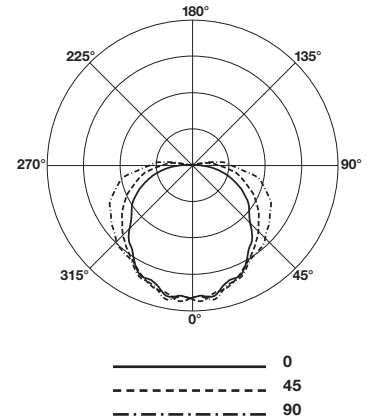
pcc pw	.8			.7			.5			.3			.1			0
	.7	.5	.3	.7	.5	.3	.5	.3	.1	.5	.3	.1	.5	.3	.1	0
RCR																
0	73	73	73	71	71	71	67	67	67	64	64	64	60	60	60	59
1	65	61	57	54	63	59	56	53	51	52	50	48	49	48	46	44
2	58	52	47	42	56	50	46	43	40	45	41	38	42	39	37	35
3	52	45	39	34	50	43	38	34	31	39	35	31	36	33	30	29
4	48	39	33	28	46	38	32	28	26	34	30	26	32	29	25	24
5	44	35	29	24	42	34	28	24	23	30	26	22	29	25	22	20
6	40	31	25	21	39	30	25	20	19	27	23	19	26	22	19	17
7	37	28	22	18	36	27	22	18	17	25	20	17	23	20	17	15
8	34	25	20	16	33	25	19	16	15	23	18	15	21	18	15	13
9	32	23	18	14	31	23	18	14	14	22	17	14	20	16	13	12
10	30	21	16	13	29	21	16	13	13	20	15	12	19	15	12	11

Total Luminaire Optical
Efficiency = 62.7%



CANDELA DISTRIBUTION

Vert. Angle	0	22.5	45	67.5	90
0	994	994	994	994	994
5	982	951	984	996	924
15	910	976	956	964	985
25	839	890	900	895	910
35	768	765	823	832	902
45	678	676	749	782	814
55	539	558	618	725	755
65	420	433	517	647	676
75	297	302	409	516	567
85	132	184	285	402	454
95	27.0	107	156	223	247
105	11.5	32.4	47.4	60.9	79.2
115	6.64	10.8	20.3	10.5	1.25
125	7.99	6.20	7.79	4.85	0.330
135	4.39	3.70	2.70	1.95	0
145	2.68	2.88	1.51	0.180	0
155	1.68	0.910	1.13	0.330	0
165	0.860	1.62	0.620	0.520	0
175	0	0	0	0	0
180	0	0	0	0	0



Lamp (2) 40w C.F.

Lumens: 3150 Per Lamp

Optical Distribution:
100% Direct

Day-O-Lite reserves the right to change product specifications without notice for product improvement.