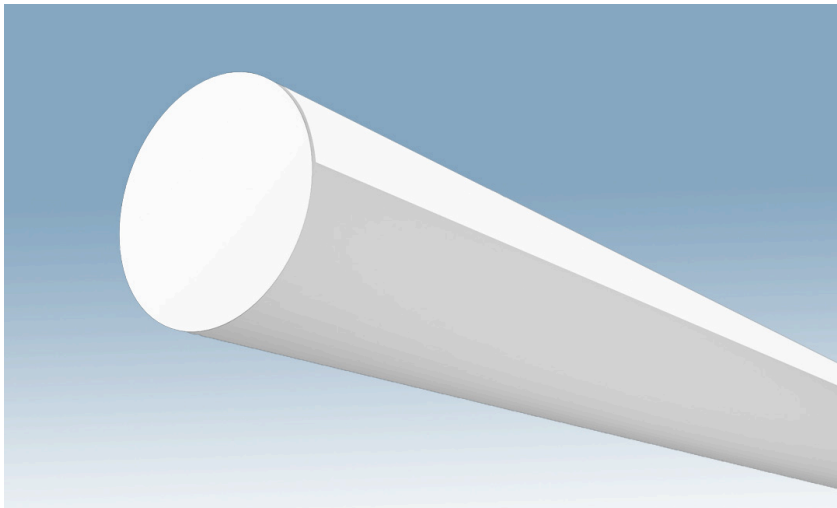
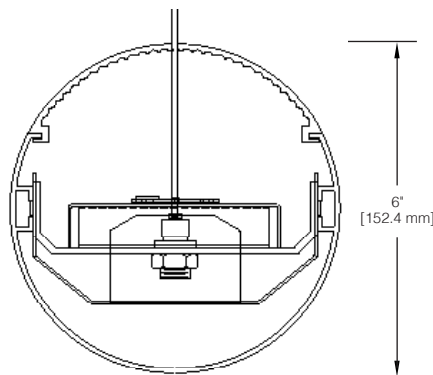




# Round Series | ADL-R06-I LED Luminaire



Aircraft Cable (AC) shown.  
See other mounting options below.



DATE	NOTES
PROJECT	
TYPE	

**HOUSING:** Extruded aluminum housing. Joiner ends are notched for continuous appearance in row-mounted applications. Machined end-caps.

**REFLECTOR:** Extruded aluminum finished in highly reflective baked white enamel.

**SHIELDING:** LED optimized white acrylic ribbed lens (WRA) is standard.

**LEDS:** LED modules in 27/30/35/40 & 50K CCT, 80 CRI (90CRI available). Lumen maintenance minimum  $L_{70}$  = 50,000 hours. 3 SDCM color consistency. Zhaga™ compliant (Book 7). Field replaceable.

**ELECTRICAL:** Pre-wired Class 2 AOC electronic driver, 120/277V input, PF > 90%, THD < 20 @ 120V. 0-10V dimming to 1%. -20C to +50C operating range. <24dB Class A sound rating.

**MOUNTING:** Standard options include adjustable self-locking aircraft cables (AC), and rigid pendant stems (PD). AC assembly is 48" x 1/16" with a 5" canopy, and a 16/4 SJT straight 54" cord per power feed location. Additional options available<sup>4</sup>.

**FINISH:** Aluminum fixture housing and steel components are finished in baked white enamel applied over a five-stage pretreatment process. Canopies and pendant stems are white enamel unless otherwise specified.

**CERTIFICATION:** Luminaires are cETLus listed conforming to UL STD. 1598 and certified to CSA STD C22.2 NO. 250.0. Suitable for dry & damp locations. Union Made in the United States of America. I.B.E.W. RoHS compliant.

## Ordering Guide (choose from the lists below and specify)

MODEL	STYLE	DISTRIBUTION	SHIELDING	COLOR <sup>1</sup> TEMP (CCT)	DELIVERED LUMENS <sup>2</sup>	SIZE <sup>3</sup>	MOUNTING <sup>4</sup>	FINISH	OPTIONS <sup>5</sup>
<b>ADL</b>	<b>RO6</b>	<b>I</b>	<b>WRA</b>						
ADL	RO6	I = Indirect	WRA = White Acrylic Ribbed Lens	30 = 3000K 35 = 3500K 40 = 4000K 50 = 5000K	LO = 615/ft (5W/ft, 123LPW) SO = 820/ft (7W/ft, 117LPW) HO = 1025/ft (9W/ft, 114LPW) Consult factory for additional lumen packages.	4 = 4 ft 6 = 6 ft 8 = 8 ft  For other enter row length (e.g. 48 = 48 ft)	AC = Aircraft Cable (standard) PD = Pendant Stem (standard)	W = White CC = Custom Color	DIM10 = 0-10V 1% Dimming DIMSR = 0-10V Sensor Ready DAY = Daylight Sensor OCC = Occupancy Sensor EPC5 = 5W Emergency Pack EMC = Emergency Circuit Lutron™ (all options page 2)

<sup>1</sup>80CRI standard, 90CRI available. LM-80 data available on request. Consult factory for 2700K CCT, HO lumen packages, tunable white light and RGB/W color changing options.

<sup>2</sup>Delivered Lumens are Low Output (LO), Standard Output (SO) and High Output (HO) at 80+CRI 4000K CCT with LED optimized acrylic ribbed lens (ARL). Use the following multiplier to estimate delivered lumens at other CCTs: 2700K = 0.94, 3000K = 0.96, 3500K = 0.98, 5000K = 1.02. All values nominal.

<sup>3</sup>See page 2 for actual fixture lengths and suspension locations.

<sup>4</sup>For additional suspension mounting options and recessed options see [www.dayolite.com](http://www.dayolite.com).

<sup>5</sup>See page 2 for the complete list of LED options including Lutron™, emergency battery back-up (EPC) and other driver/control options.

Day-O-Lite, a division of SCW Corporation. All rights reserved. The Day-O-Lite logo is a registered trademark of SCW Corporation. Day-O-Lite reserves the right to change specifications without notice for product improvement.



## LED Options

### 0-10V DIMMING DRIVERS

DIM10 = 0-10V (1.0%)<sup>1</sup>  
 DIMSR = 0-10V (5.0%) Sensor Ready<sup>2</sup>  
 DIM100 = 0-10V (0.1%) Fade-to-Off  
 DIMST = Step Dimming (40%/100%)  
 DALI = Digital Addressable Lighting Interface

### LUTRON™ DIMMING DRIVERS

LDE1 = Hi-Lume™ 1%-H EcoSystem™<sup>3</sup>  
 LDE5 = 5-Series 5% EcoSystem™  
 L3DAE = Hi-Lume™ 1% EcoSystem™  
 L3DA3W = Hi-Lume™ 1% 3-Wire  
 LTEA2W = Hi-Lume™ 1% 2-Wire FFC<sup>4</sup>

### LUTRON™ WIRELESS MODULES

FCJECO = EcoSystem™ Wireless RF  
 Fixture Module for EcoSystem™ LED drivers.  
 FCJ010 = EcoSystem™ Wireless RF  
 Fixture Module for 0-10V products by others.

### EMERGENCY BATTERY PACK (EPC) & WIRING OPTIONS

EPC5 = (5W) 580 Delivered Lumens  
 EPC7 = (7W) 1170 Delivered Lumens  
 EPC10 = (10W) 820 Delivered Lumens  
 EPC12 = (12W) 1400 Delivered Lumens  
 GTD = Generator Transfer Device  
 EMC = Emergency Circuit

### SENSOR® OPTIONS

ESN = Philips™ EasySense  
 DAY = Daylight Harvesting Sensor  
 OCC = Occupancy Sensor

### ADDITIONAL OPTIONS

9CR = 90 Color Rendering Index  
 TWH = Tunable White LED<sup>7</sup>  
 RGB/W = Dynamic Color Changing<sup>7</sup>

### OPTIONS NOTES:

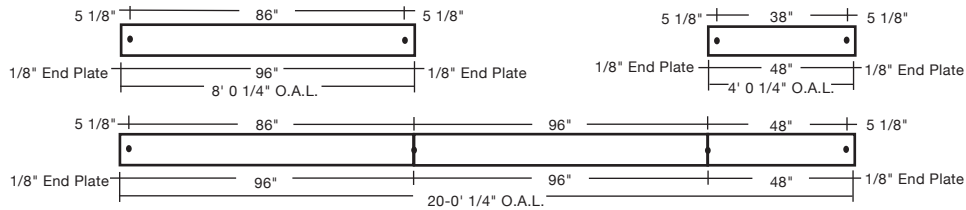
- <sup>1</sup>Standard 0-10V 1% with linear dimming curve. Add "LOG" to option code for 0-10V 1% logarithmic dimming curve.
- <sup>2</sup>Philips™ Xitanium™ Sensor Ready driver for use w/integrated wireless sensors including Philips™ EasySense™, Enlighted™, EnOcean™, Digital Lumens™ and others.
- <sup>3</sup>Hi-Lume 1%-H EcoSystem™ with Soft-On, Fade-to-Black™ dimming.
- <sup>4</sup>120V two-wire forward phase control only.
- <sup>5</sup>Delivered emergency lumens for SI lens option only. For other lens options multiply specific fixture LPW (below) by EPC wattage.
- <sup>6</sup>Philips EasySense wireless daylight/occupancy sensor for use with Philips Sensor Ready (SR) drivers. Programmable by smartphone with free software from www.philips.com. Contact factory for details.
- <sup>7</sup>Tunable White light and RGB/W dynamic color changing options available. Contact Day-O-Lite for details.

Day-O-Lite is a Lutron Advantage OEM Program Partner. Lutron drivers are backed by a 10 year warranty. For more information on Lutron™ LED drivers and controls please visit www.lutron.com.

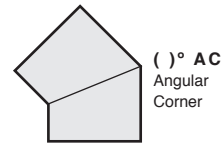
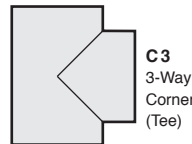
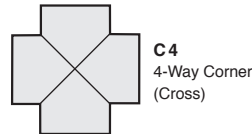
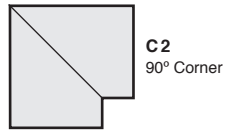


## Linear Sections and Suspension Location

### SUSPENSION MOUNTING



**CORNERS** Corners and fixture extensions are custom fabricated to precise dimensions. Please indicate the specific requirements on the layout.



For any angular corner, ( )° must be specified and dimensions must be included on the layout.

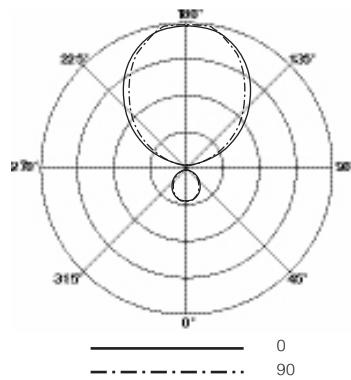
For any pattern, a layout must accompany the order.

## Photometry

### CANDELA DISTRIBUTION

Vert. Angle	0	22.5	45	67.5	90
0	1047	1047	1047	1047	1047
5	1021	1034	1039	1021	1019
10	1032	1023	1009	1027	1032
15	1008	1012	1011	1006	1012
20	978	970	978	985	970
25	915	935	934	941	943
30	878	881	887	896	889
35	812	825	836	840	835
40	744	752	768	790	793
45	671	681	702	729	733
50	600	603	632	665	667
55	514	530	567	594	603
60	430	451	495	527	540
65	349	374	421	460	469
70	271	299	353	401	410
75	192	225	295	337	352
80	113	164	241	286	299
85	50	110	190	239	257
90	21	79	158	207	229

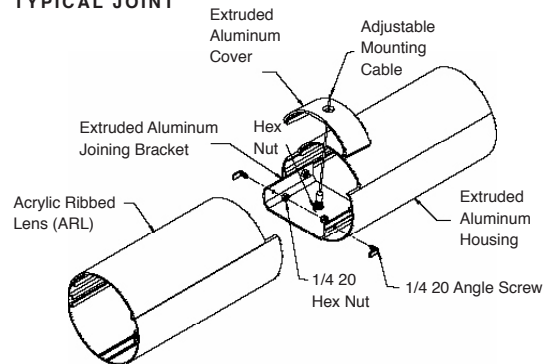
ADL-RO6-I-ARL-35-SO-4



4000K CCT  
 WATTS: 28  
 LUMENS: 3285  
 LPW: 117  
 Optical Distribution:  
 92% Indirect, 8% Direct

## Installation Preparation

### TYPICAL JOINT



For .IES files please visit the ADL-RO6-I page at www.dayolite.com