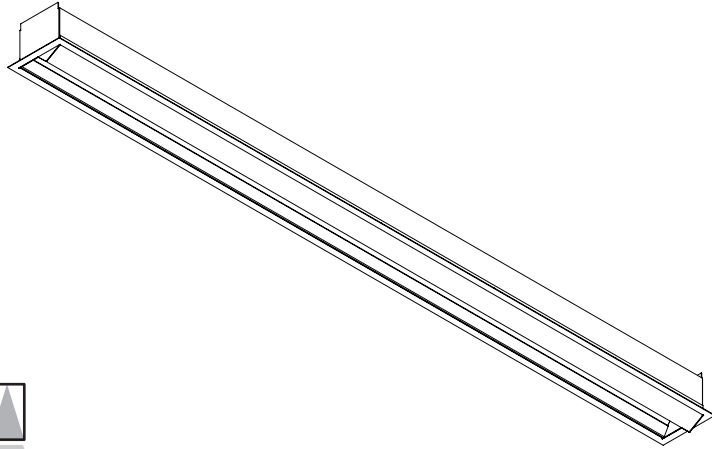


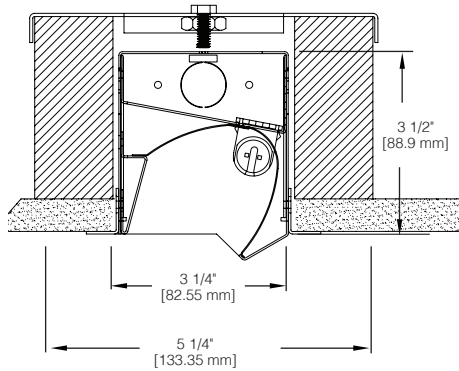


Apollo | AP-1999-D Flange Mount Fluorescent Luminaire

DATE	NOTES
PROJECT	
TYPE	



Direct



HOUSING: Die-formed, 20-gauge, cold rolled steel riveted construction 3 1/4" wide by 3 1/2" high. The bottom of housing is open with an angular reflector for asymmetrical distribution. Mounting brackets are provided for ease of installation and continuous rows. An optional mounting yoke frame is also available.

REFLECTOR: Three-part reflector assembly is die-formed specular anodized aluminum for direct and asymmetric distribution including a black perforated steel angled reflector to eliminate back lighting.

SHIELDING: Open fixture is standard. Consult factory for WOA, prismatic or steel cross baffle shielding.

ELECTRICAL: Ballast is electronic, low profile, universal voltage 120/277, high power factor, thermally protected, sound rated A with less than 10% total harmonic distortion. Luminaires in rows are prewired with quick connect through wiring. Integrated locking disconnects are standard. The minimum number of ballasts will be used unless otherwise specified. Please consult factory for lamp/ballast availability.

MOUNTING: Standard installation is for dry wall ceiling. Mounting brackets are provided with each fixture. An optional mounting yoke frame is also available.

FINISH: Fixture housing and steel components are finished in baked white enamel applied over a five-stage pretreatment process.

LAMPS: Fixtures are provided for use with one T5 or T5HO lamp (supplied by others).

CERTIFICATION: Luminaires are cULus listed and Union Made in the United States of America. I.B.E.W.

Ordering Guide (choose from the lists below and specify)

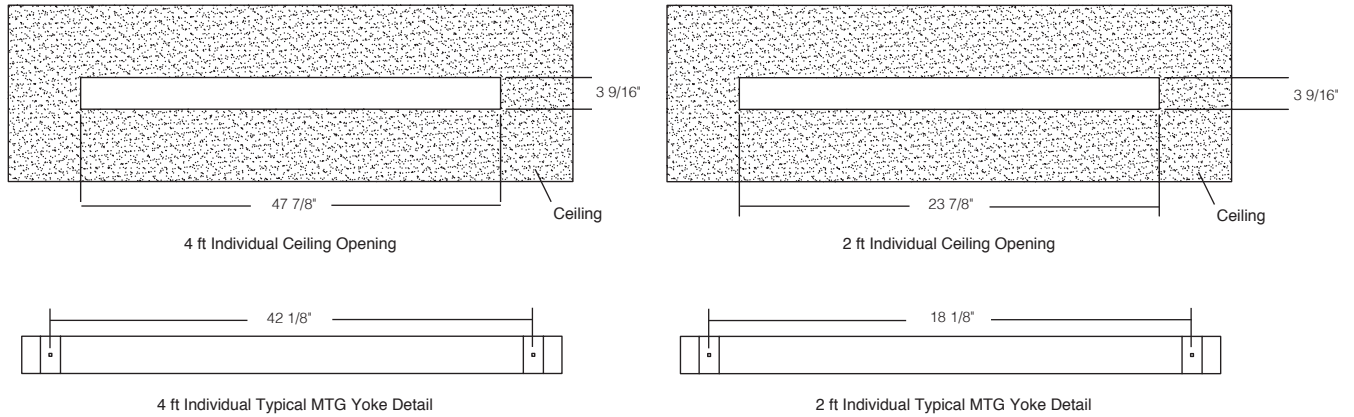
MODEL	DIRECTION	NUMBER OF LAMPS	LAMPS	MOUNTING	ROW LENGTH	FINISH	VOLTAGE	OPTIONS*
AP1999								
AP1999	D = Direct	1	T5 T5HO	F = Flanged	2 = 2 ft 3 = 3 ft 4 = 4 ft 5 = 5 ft For other, please enter row length (eg. 48 = 48 ft)	W = White CC = Custom Color	UNV = 120/277	DIM10 = 0-10V Dimming DIMLV = Dimming Line Voltage DIMST = Step Dimming DIMHL = Dimming Lutron PRGS = Program Rapid Start S O C = Sensor Options E P C = Emergency Pack E M C = Emergency Circuit T C W = Two Circuit Wiring

*For the complete list of all available options please visit www.dayolite.com

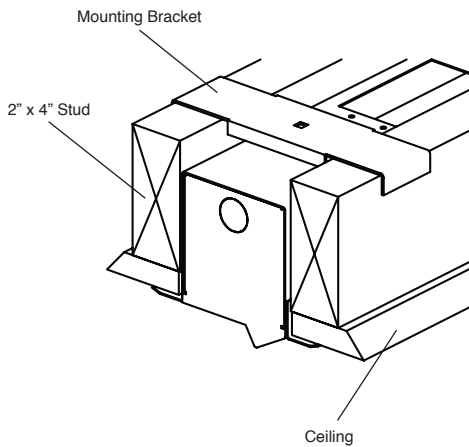
Day-O-Lite, a division of SCW Corporation. All rights reserved. The Day-O-Lite logo is a registered trademark of SCW Corporation. Day-O-Lite reserves the right to change specifications without notice for product improvement.



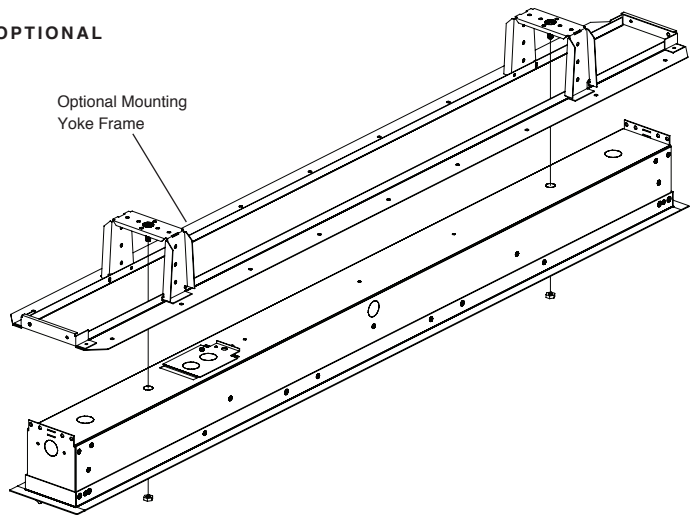
Linear Sections and Suspension Location



Installation Preparation



OPTIONAL



Photometry

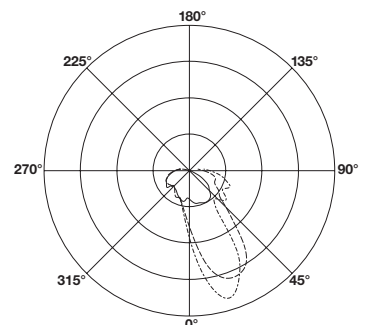
COEFFICIENTS OF UTILIZATION—ZONAL CAVITY METHOD

pfc = 0.20

pcc	.8				.7				.5				.3				.1				0
	.7	.5	.3	.1	.7	.5	.3	.1	.5	.3	.1	.5	.3	.1	.5	.3	.1	.5	.3	.1	0
RCR																					
0	68	68	68	68	67	67	67	67	64	64	64	61	61	61	59	59	59	57			
1	62	59	57	54	61	58	56	53	56	54	51	53	52	50	48	48	48	48			
2	56	51	47	42	55	50	46	42	48	45	41	46	43	40	39	39	39	39			
3	51	44	39	34	49	43	39	34	42	38	33	40	37	33	32	32	32	32			
4	46	39	33	28	45	38	33	27	36	32	27	35	31	27	27	27	27	27			
5	42	34	29	23	41	33	28	23	32	28	23	31	27	23	22	22	22	22			
6	38	30	25	19	37	30	25	19	29	24	19	28	24	19	19	19	19	19			
7	35	27	22	17	34	27	22	17	26	21	17	25	21	16	16	16	16	16			
8	33	25	19	14	32	24	19	14	23	19	14	23	18	14	14	14	14	14			
9	30	22	17	13	30	22	17	13	21	17	13	21	17	13	13	13	13	12			
10	28	20	16	11	28	20	15	11	19	15	11	19	15	11	11	11	11	11			

CANDELA DISTRIBUTION

Vert. Angle	0	22.5	45	67.5	90
0	186	186	186	186	186
5	191	142	95	81	67
10	190	102	48	42	42
15	190	63	42	41	39
20	180	51	41	38	37
25	182	47	40	37	36
30	184	45	41	36	34
35	186	46	39	34	33
40	183	46	38	32	30
45	184	46	35	27	24
50	187	44	31	20	16
55	182	43	25	10	6
60	169	41	16	3	2
65	154	34	7	1	1
70	135	24	2	0	0
75	106	13	1	0	0
80	77	4	0	0	0
85	30	1	0	0	0
90	3	0	0	0	0



— 0
 - - - 45
 ····· 90

Lamp (1) 28w T5
 Lumens: 2900 Per Lamp

Optical Distribution:
 100% Direct

AP-1999-D-F-1T5
 Total Luminaire Optical
 Efficiency = 57.5%

