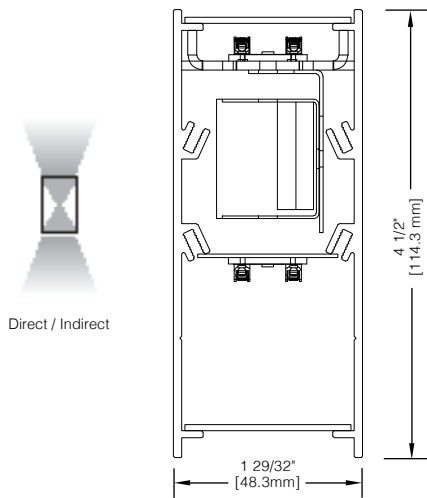




Arc Series | ARCL-14-DI LED Luminaire



DATE	NOTES
PROJECT	
TYPE	

HOUSING: Extruded aluminum housing. Joiner ends are notched for continuous appearance in row-mounted applications. Machined end-caps.

REFLECTOR: Extruded aluminum finished in highly reflective baked white enamel.

SHIELDING: LED optimized diffuse polycarbonate is standard.

LEDS: LED modules¹ in 27/30/35/40 & 50K CCT, 80 CRI (90CRI available). Lumen maintenance minimum L₇₀ = 50,000 hours. 3 SDCM color consistency. Zhaga™ compliant (Book 7). Field replaceable.

ELECTRICAL: Pre-wired Class 2 AOC electronic driver, 120/277V input, PF > 90%, THD < 20 @ 120V. 0-10V dimming to 1%. -20C to +50C operating range. <24dB Class A sound rating.

MOUNTING: Standard options include adjustable self-locking aircraft cables (AC), and rigid pendant stems (PD). AC assembly is 48" x 1/16" with a 5" canopy, and a 16/4 SJT straight 54" cord per power feed location. Additional options available⁴.

FINISH: Aluminum fixture housing and steel components are finished in baked white enamel applied over a five-stage pretreatment process. Canopies and pendant stems are white enamel unless otherwise specified.

CERTIFICATION: Luminaires are cETLus listed conforming to UL STD. 1598 and certified to CSA STD C22.2 NO. 250.0. Suitable for dry & damp locations. Union Made in the United States of America. I.B.E.W. RoHS compliant.

Ordering Guide (For individual single radius fixtures. For rows, patterns and/or multiple radii see Ordering Details on page 2.)

MODEL	STYLE	DISTRIB.	SHIELDING	COLOR TEMP (CCT) ¹	DELIVERED LUMENS ²	NOMINAL SIZE ³	MOUNTING ⁴	FINISH	OPTIONS ⁵
ARCL	14	DI	DP						
ARCL	14	DI = Direct/indirect	DP = Diffuse Polycarbonate (w/clear acrylic dust covers)	30 = 3000K 35 = 3500K 40 = 4000K 50 = 5000K (80CRI standard. 90CRI optional).	LO = 750/ft Indirect 525/ft Direct (10W/ft, 121LPW) SO = 1000/ft Indirect 700/ft Direct (14W/ft, 121LPW) All values nominal	ARCL-24-D may be ordered in virtually any radius and length. See "Configure Order Code" on page 2.	AC = Aircraft Cable (standard) PD = Pendant Stem (standard)	W = White CC = Custom Color	DIM10 = 0-10V 1% Dimming DIMSR = 0-10V Sensor Ready ESN = Philips™ EasySense Wireless Daylight & Occupancy Sensor. See note 6, page 2. EPC5 = 5W Emergency Pack Tunable White (page 3)

¹80CRI standard, 90CRI available. LM-80 data available on request. Consult factory for 2700K CCT and HO lumen packages.

²Delivered Lumens are Standard Output (SO) and Low Output (LO) at 80+CRI 4000K CCT with LED optimized Satin Ice Acrylic lens (SI). Use the following multiplier to estimate delivered lumens at other CCTs: 2700K = 0.94, 3000K = 0.96, 3500K = 0.98, 5000K = 1.02. All values nominal.

³See Configuring Size Code on page 2 to specify radius and length.

⁴For additional suspension mounting options and recessed options see www.dayolite.com.

⁵See page 2 for the complete list of LED options including Lutron™, emergency battery back-up (EPC) and other driver/control options.

Day-O-Lite, a division of SCW Corporation. All rights reserved. The Day-O-Lite logo is a registered trademark of SCW Corporation. Day-O-Lite reserves the right to change specifications without notice for product improvement.



LED Options

0-10V DIMMING DRIVERS¹

DIM10 = 0-10V (1.0%)²
 DIMSR = 0-10V (5.0%) Sensor Ready³
 DIMST = Step Dimming (40%/100%)
 DALI = Digital Addressable Lighting Interface

LUTRON™ DIMMING DRIVERS¹

LDE1 = Hi-Lume™ 1%-H EcoSystem™
 LDE5 = 5-Series 5% EcoSystem™
 LTEA2W = Hi-Lume™ 1% 2-Wire FFC

LUTRON™ WIRELESS MODULES¹

FCJECO = EcoSystem™ Wireless RF
 Fixture Module for EcoSystem™ LED drivers.
 FCJ010 = EcoSystem™ Wireless RF
 Fixture Module for 0-10V products by others.

EMERGENCY BATTERY PACK (EPC)¹ & WIRING OPTIONS

EPC4 = (4W) 430 Delivered Lumens
 EPC7 = (7W) 665 Delivered Lumens
 EPC10 = (10W) 950 Delivered Lumens
 EPC12 = (12W) 1140 Delivered Lumens
 GTD = Generator Transfer Device
 EMC = Emergency Circuit

SENSOR⁶ OPTIONS

ESN = Philips™ EasySense⁴
 DAY = Daylight Harvesting Sensor
 OCC = Occupancy Sensor

ADDITIONAL OPTIONS

Tunable White (page 3)⁵
 Acoustic Tiling (page 4)
 RGB/W Contact Factory⁶
 9CR = 90 CRI

OPTIONS NOTES:

¹Some options require a minimum ARCL radius or will be remote only. Contact Day-O-Lite to determine integration compatibility.
²Standard 0-10V 1% with linear dimming curve. Add "LOG" to option code for 0-10V 1% logarithmic dimming curve.
³Philips™ Xitanium™ Sensor Ready driver for use w/integrated wireless sensors including Philips™ EasySense™, Enlighted™, EnOcean™, Digital Lumens™ and others.
⁴Philips EasySense wireless daylight/occupancy sensor.
⁵Tunable white available in D=Direct distribution only.
⁶RGB/W color changing options available. Contact

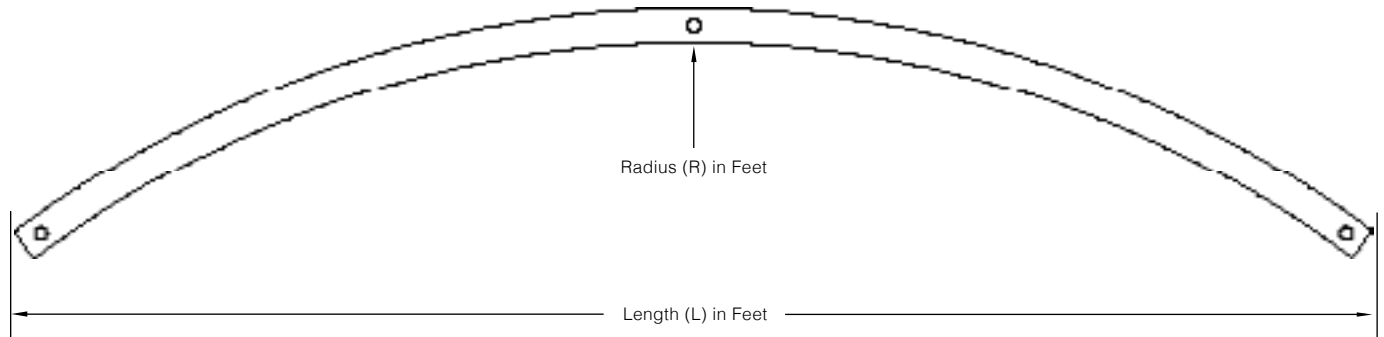
Day-O-Lite is a Lutron™ Advantage OEM Program Partner. Lutron drivers are backed by a 10 year warranty. For more information on Lutron LED drivers and controls please visit www.lutron.com.



Configuring Size Code

ARCL-14-DI May be ordered in virtually any radius and length and is easy to specify. Simply use order code "XRL" where XR= Radius and L=Length in feet. Day-O-Lite will design length to closest LED module length and provide drawings for approval.

Examples: 30' radius, 20' length = 30R20
 10' radius, 12' length = 10R12
 6' radius, 4' length = 6R4

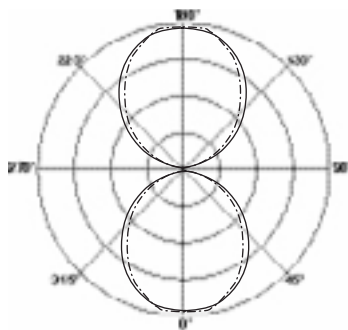


Photometry

CANDELA DISTRIB. SI LENS

Vert. Angle	0	22.5	45	67.5	90
0	1156	1156	1156	1156	1156
10	1109	1093	1093	1082	1064
20	1001	993	979	959	964
30	883	854	839	849	843
40	726	702	712	719	726
50	510	507	534	554	568
60	300	310	356	392	408
70	106	124	189	242	254
80	6	31	108	160	174
90	0	22	89	134	146
100	95	99	102	122	131
110	288	303	337	365	371
120	493	503	542	565	570
130	671	686	713	739	737
140	826	828	845	867	876
150	942	938	948	963	968
160	1018	1033	1021	1044	1016
170	1081	1063	1076	1097	1051
180	1091	1091	1091	1091	1091

ARCL-14-DI-DP-40-SO-4



4000K CCT
 WATTS: 56
 LUMENS: 6872
 LPW: 121
 Optical Distribution:
 47% Direct, 53% Indirect

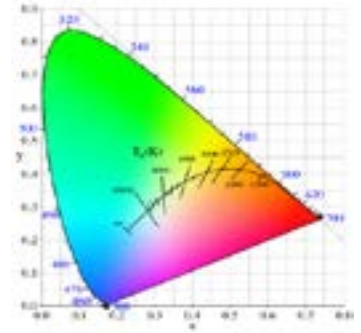
For complete photometrics and .IES files please visit the ARCL-14-DI page at www.dayolite.com

Tunable White & Tunable Color

Day-O-Lite offers a variety of white tuning options and control protocols for a range of human centric applications and budgets. It is recommended that a recognized authority on the benefits, best practices and control of white tuning be consulted. Contact Day-O-Lite for additional information.

As a rule fewer channels will provide a basic level of performance for budget conscious applications. Conversely, an increased number of channels, a wider CCT range, higher CRI and more precise color consistency may be more appropriate depending on the application and desired results.

This becomes apparent when considering the black body curve within the standard CIE chromaticity diagram. Two connected CCT points, one high and one low will define a line drawn beneath the black body locus. Colors on the locus above the line will not be generated by a two channel system. In contrast, three or more channels will more accurately match the locus, resulting in greater color accuracy from the high to the low end of the range.



2-CHANNEL WHITE TUNING OPTIONS

2DIM10 = 0-10V 2-channel driver (1%)
 1000 lumens/ft. @ 4000K, 8W/ft. nominal
 2700K-6500K white tuning range
 80+ CRI, 3 SDCM color accuracy

2DMX = DMX 2-channel driver (1%)
 1000 lumens/ft. @ 4000K, 9W/ft. nominal
 80+ CRI, 3 SDCM color accuracy

2DLM = Wattstopper® Digital Lighting Management
 Blanco-2® 2700K-6500K (4000K mid-point)
 1000 lumens/ft. @ 4000K, 10W/ft. nominal
 80+ CRI 3 SDCM color accuracy

HOW TO SPECIFY

1. Select from the various channel/control options to the left and insert desired ordering code into the **COLOR TEMP** column of the Ordering Guide on page 1. No need to add a dimming option as the codes to the left include the chosen protocol.
2. Select the **SO** option in the **DELIVERED LUMENS** column.
3. Your luminaire will be built to the chosen system and control protocol. Controls available by Others.

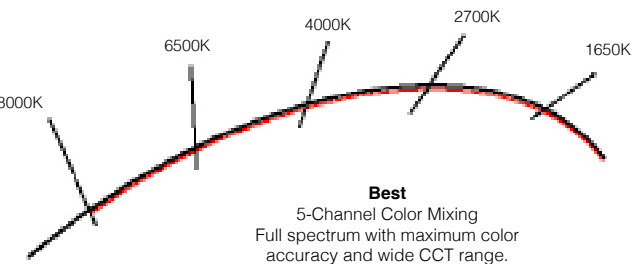
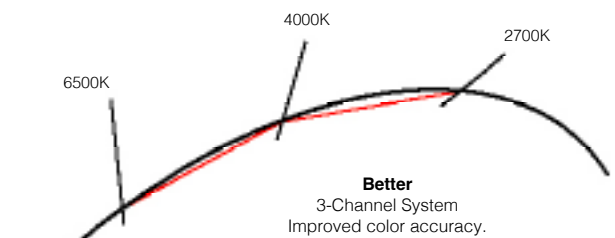
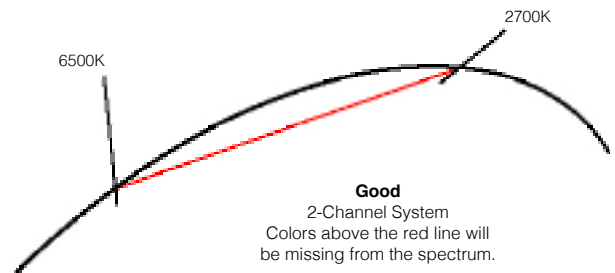
3-CHANNEL WHITE TUNING OPTIONS

3DMX = eldoLED® POWERdrive™ 561/M Driver
 Luxtech® LED array 2700K-6500K (variable)
 1000 lumens/ft. @ 4000K, 9W/ft. nominal
 80+ CRI, 3 SDCM color accuracy

3DLM = Wattstopper® Digital Lighting Management™
 Blanco-3® 2700K-6500K (4000K mid-point)
 1000 lumens/ft. @ 4000K
 9W/ft. nominal
 90+ CRI, 2 SDCM color accuracy

5-CHANNEL TUNABLE COLOR

LX10 = Lumenetix® araya⁵™ system, Bluetooth & 0-10V compatible
LXDX = Lumenetix araya⁵ system, Bluetooth & DMX compatible
LXDL = Lumenetix araya⁵ system, Bluetooth & DLM* compatible
LXLT = Lumenetix araya⁵ system, Bluetooth & Lutron® EcoSystem™
 Lumenetix araya⁵ Tunable Color System
 RGB/W+ color mixing
 1650K-8000K color temperature range
 CCT, intensity, hue and saturation control
 1000 lumens/ft. @4000K
 10W/ft. nominal
 92+ CRI
 2 SDCM color accuracy
 ALM - araya⁵ logic module (120/277V)
 Bluetooth equipped for use w/araya⁵ iOS App (free)
 *Wattstopper® Digital Lighting Management



Day-O-Lite makes no claims as to the psychological or physiological efficacy of the white color tuning options offered herein.