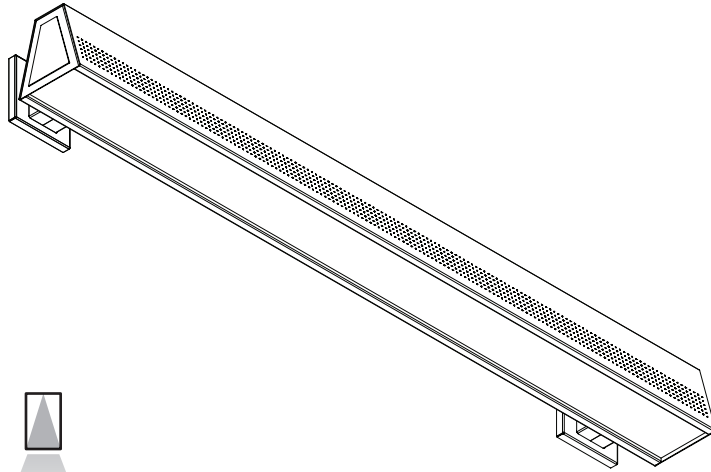
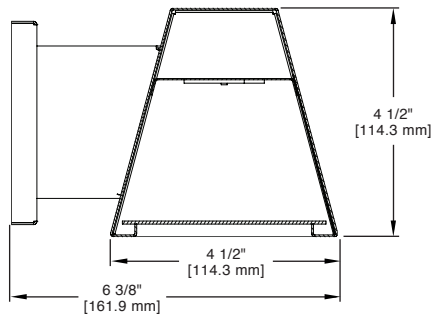




Athena II | ATH2L-D Wall Mount LED Luminaire



Direct



DATE	NOTES
PROJECT	
TYPE	

HOUSING: Die-formed, 20-gauge, cold rolled steel housing and mounting brackets.

REFLECTOR: Highly reflective die-formed steel finished in baked white enamel.

SHIELDING: Satin Ice acrylic is standard. Shatter resistant polycarbonate is also available.

LEDS: LED modules in 30/35/40 & 50K CCT, 80+ CRI (90 CRI available). Lumen maintenance minimum $L_{70} = 50,000$ hours @ 25 C° ambient temperature. 3 SDCM color consistency. Zhaga™ compliant (Book 7).

ELECTRICAL: Class 2 AOC electronic driver, 120/277V input, PF > 90%, THD < 20 @ 120V. 0-10V dimming to 5%. -20C to +50C operating range. <24dB Class A sound rating. 0-10V dimming is standard.

MOUNTING: Provided with two wall mounting brackets. Mounting fasteners by others.

FINISH: Fixture housing and steel components are finished in baked white enamel applied over a five-stage pretreatment process. Canopies and pendant stems are white enamel unless otherwise specified

CERTIFICATION: Luminaires are cETLus listed conforming to UL STD. 1598 and certified to CSA STD C22.2 NO. 250.0. Suitable for dry locations; consult factory for damp locations. Union Made in the United States of America. I.B.E.W. RoHS compliant.

Ordering Guide (choose from the lists below and specify)

MODEL	STYLE	DISTRIBUTION	SHIELDING	COLOR TEMP (CCT)	DELIVERED LUMENS ¹	SIZE	MOUNTING	FINISH	VOLTAGE	OPTIONS ²
ATH2L		D	SI				WM		U	
ATH2L	1 = Solid (shown) 3 = Perforated Continuous See Perforation/Shielding Guide for other options.	D = Direct	SI = Satin Ice Acrylic	27 = 2700K 30 = 3000K 35 = 3500K 40 = 4000K 50 = 5000K 80CRI standard. Consult factory for 90CRI	LO = 540/ft (6W/ft, 90LPW) SO = 725/ft (8W/ft, 90LPW) Consult factory for additional lumen packages.	2 = 2 ft 4 = 4 ft 6 = 6 ft 8 = 8 ft For other enter row length (e.g. 48 = 48 ft)	WM = Wall Mount	W = White CC = Custom Color	Universal 120/277V	DIM10 = 0-10V 5% Dimming DIM101 = 0-10V 1% Dimming DIMST = 0-10V Step Dimming DAY = Daylight Sensor OCC = Occupancy Sensor EPC5 = 5W Emergency Pack? EMC = Emergency Circuit ² See page 2 for complete list of LED options including Lutron™ dimming and notes.

¹Delivered Lumens are Standard Output (SO) and Low Output (LO) at 80+CRI 4000K CCT with LED optimized Satin Ice Acrylic lens (SI). Use the following multiplier to estimate delivered lumens at other CCTs: 3000K = 0.96, 3500K = 0.98, 5000K = 1.02. Consult factory for 90CRI. See www.dayolite.com for the list of all Standard Options.



All LED Options

0-10V DIMMING¹ DRIVERS

DIM10 = 0-10V (5.0%)¹
 DIMSR = 0-10V (5.0%) Sensor Ready²
 DIM101 = 0-10V (1.0%)
 DIM100 = 0-10V (0.1%) Fade-to-Off
 DIMST = Step Dimming (100%/40%/0%)
 DALI = Digital Addressable Lighting Interface

LUTRON™ DIMMING DRIVERS

LDE1 = Hi-Lume™ 1%-H EcoSystem™³
 LDE5 = 5-Series 5% EcoSystem™
 L3DAE = Hi-Lume™ 1% EcoSystem™
 L3DA3W = Hi-Lume™ 1% 3-Wire
 LTEA2W = Hi-Lume™ 1% 2-Wire FFC⁴

LUTRON™ WIRELESS MODULES

FCJECO = EcoSystem™ Wireless RF
 Fixture Module for EcoSystem™ LED drivers.
 FCJ010 = EcoSystem™ Wireless RF
 Fixture Module for 0-10V products by others.

EMERGENCY & WIRING OPTIONS

EPC5 = 5W Emergency LED Battery Pack⁵
 EPC7 = 7W Emergency LED Battery Pack⁵
 EPC10 = 10W Emergency LED Battery Pack⁵
 EPC12 = 12W Emergency LED Battery Pack⁵
 GTD = Generator Transfer Device
 EMC = Emergency Circuit

SENSOR⁶ OPTIONS

DAY = Daylight Harvesting Sensor
 OCC = Occupancy Sensor
 DOC = Daylight/Occupancy Sensor

ADDITIONAL OPTIONS

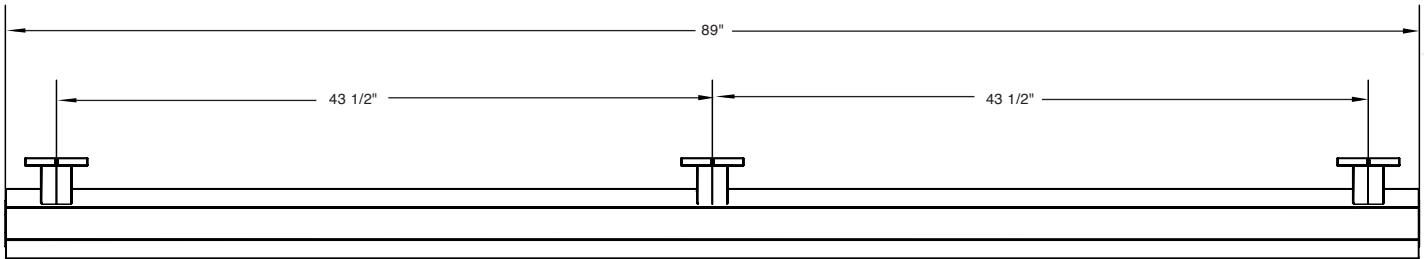
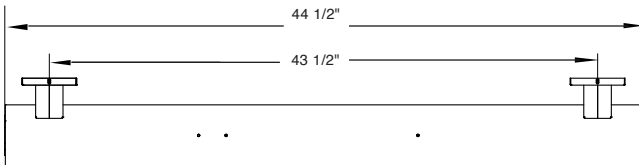
TWC = Two Circuit Wiring
 CHP = Chicago Plenum Application
 FFH = Fuse/Fuse Holder
 FWH = Flexible Wiring Harness
 RIF = Radio Interference Filter

OPTIONS NOTES:

¹All Day-O-Lite LED luminaires are 0-10V 5% capable. Select the DIM10 option if prewiring for 5% dimming is desired and Day-O-Lite will supply purple/gray wires. All other dimming options are automatically prewired.
²Philips™ Xitanium™ Sensor Ready LED driver. Consult factory for compatible sensors and control systems.
³Hi-Lume 1%-H EcoSystem with Soft-On, Fade-to-Black™, 100%-5% via CCR* dimming; 5%-1% via PWM** dimming.
⁴120V Forward Phase Control only.
⁵To calculate delivered emergency lumens multiple fixture LPW (below) by EPC wattage. For remote EPC mounting consult factory.
⁶Not all fixtures accept integral sensors. Contact factory for sensor integration specifics and for additional sensor options.

For more information on Lutron™ LED drivers please visit www.lutron.com
 *CCR = Constant Current Reduction Dimming
 **PWM = Pulse Width Modulation Dimming

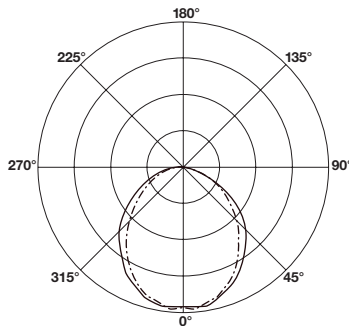
Linear Sections and Suspension Location



Photometry

CANDELA DISTRIBUTION

Vert. Angle	0	22.5	45	67.5	90
0	1091	1091	1091	1091	1091
10	1102	1084	1080	1080	1068
20	1015	1017	1004	997	996
30	919	907	885	850	861
40	778	762	729	701	681
50	617	602	569	529	515
60	435	430	397	368	351
70	252	250	234	216	208
80	99	106	107	105	106
90	11	19	28	36	40
100	9	15	26	33	36
110	11	16	26	32	36
120	14	18	25	32	35
130	18	17	24	30	31
140	19	17	24	28	28
160	22	21	19	19	20
170	22	21	25	22	22
180	26	26	26	26	26
180	1319	1319	1319	1319	1319



— 0
 - - - - - 90

ATH2L-3-D-DP-40-SO-4-WM

4000K CCT
 WATTS: 32
 LUMENS: 2975
 LPW = 93

Optical Distribution:
 95% Direct: 5% Indirect

For complete photometrics and .IES files please visit the ATH2L-D-WM page at www.dayolite.com