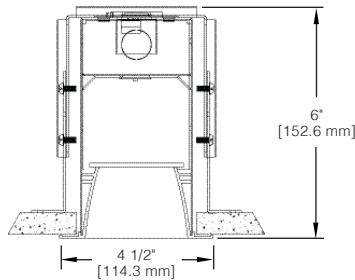
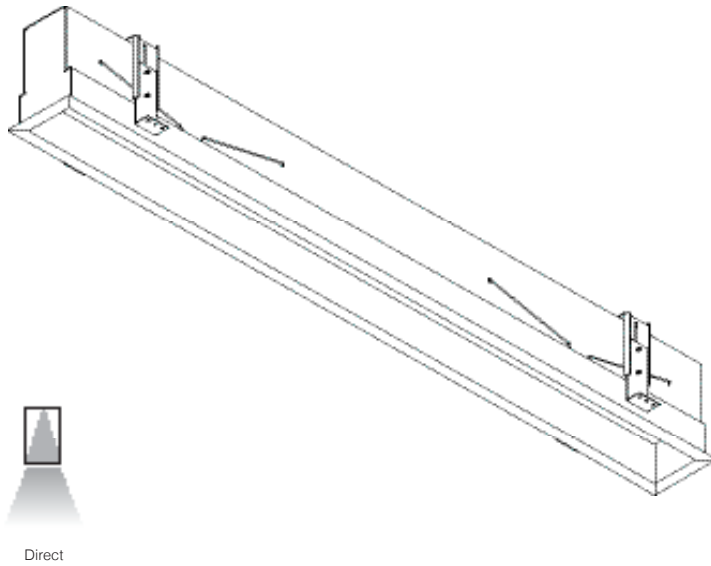




Gemini | GEML-1919-D Flange Mount LED Luminaire

DATE	NOTES
PROJECT	
TYPE	



HOUSING: Die-formed, 20-gauge, cold rolled steel construction 4 1/2" wide and 6 3/8" high with an extruded aluminum flange trim. The joiner ends are notched for ease of installation and continuous appearance of the shielding.

REFLECTOR: Die-formed, 20-gauge cold rolled steel finished in high gloss baked white enamel.

SHIELDING: Satin Ice acrylic is standard.

LEDS: LED modules¹ in 27/30/35/40 & 50K CCT, 80 CRI (90CRI available). Lumen maintenance minimum L₇₀ = 50,000 hours. 3 SDCM color consistency. Zhaga™ compliant (Book 7). Field replaceable.

ELECTRICAL: Pre-wired Class 2 AOC electronic driver, 120/277V input, PF > 90%, THD < 20 @ 120V. 0-10V dimming to 1%. -20C to +50C operating range. <24dB Class A sound rating.

MOUNTING: Standard installation is for dry wall ceiling. Mounting yokes are provided with each fixture.

FINISH: Aluminum fixture housing and steel components are finished in baked white enamel applied over a five-stage pretreatment process.

CERTIFICATION: Luminaires are cETLus listed conforming to UL STD. 1598 and certified to CSA STD C22.2 NO. 250.0. Suitable for dry & damp locations. Union Made in the United States of America. I.B.E.W. RoHS compliant.

Ordering Guide (choose from the lists below and specify)

MODEL	STYLE	DISTRIB.	SHIELDING	COLOR TEMP (CCT) ¹	DELIVERED LUMENS ²	NOMINAL SIZE ³	MOUNTING	FINISH	VOLTAGE	OPTIONS ⁴
GEML		D	SI						U	
GEML	1919 1919A* <small>*(w/MR16 lamps on fixture ends)</small>	D = Direct	SI = Satin Ice Acrylic	30 = 3000K 35 = 3500K 40 = 4000K 50 = 5000K (80CRI standard, 90CRI optional).	LO = 430/ft (6W/ft, 70LPW) SO = 575/ft (8W/ft, 70LPW) Consult factory for additional lumen packages. All values are nominal.	4 = 4 ft 6 = 6 ft 8 = 8 ft For other enter row length (e.g. 48 = 48 ft)	F = Flanged (recessed)	W = White CC = Custom Color	Universal 120/277V	DIM10 = 0-10V 1% Dimming DIMSR = 0-10V Sensor Ready ESN = Philips™ EasySense Wireless Daylight & Occupancy Sensor. See note 6, page 2. EPC5 = 5W Emergency Pack E M C = Emergency Circuit Lutron™ (all options page 2)

¹80CRI standard, 90CRI available. LM-80 data available on request. Consult factory for 2700K CCT, HO lumen packages, tunable white light and RGB/W color changing options.

²Delivered Lumens are Standard Output (SO) and Low Output (LO) at 80+CRI 4000K CCT with LED optimized Satin Ice Acrylic lens (SI). Use the following multiplier to estimate delivered lumens at other CCTs: 2700K = 0.94, 3000K = 0.96, 3500K = 0.98, 5000K = 1.02. All values nominal.

³See page 2 for actual fixture lengths and suspension locations.

⁴See page 2 for the complete list of LED options including Lutron™, emergency battery back-up (EPC) and other driver/control options.



LED Options

0-10V DIMMING DRIVERS

DIM10 = 0-10V (1.0%)¹
 DIMSR = 0-10V (5.0%) Sensor Ready²
 DIM100 = 0-10V (0.1%) Fade-to-Off
 DIMST = Step Dimming (40%/100%)
 DALI = Digital Addressable Lighting Interface

LUTRON™ DIMMING DRIVERS

LDE1 = Hi-Lume™ 1%-H EcoSystem™³
 LDE5 = 5-Series 5% EcoSystem™
 L3DAE = Hi-Lume™ 1% EcoSystem™
 L3DA3W = Hi-Lume™ 1% 3-Wire
 LTEA2W = Hi-Lume™ 1% 2-Wire FFC⁴

LUTRON™ WIRELESS MODULES

FCJECO = EcoSystem™ Wireless RF
 Fixture Module for EcoSystem™ LED drivers.
 FCJ010 = EcoSystem™ Wireless RF
 Fixture Module for 0-10V products by others.

EMERGENCY BATTERY PACK (EPC)⁵ & WIRING OPTIONS

EPC5 = (5W) 370 Delivered Lumens
 EPC7 = (7W) 518 Delivered Lumens
 EPC10 = (10W) 740 Delivered Lumens
 EPC12 = (12W) 888 Delivered Lumens
 GTD = Generator Transfer Device
 EMC = Emergency Circuit

SENSOR⁶ OPTIONS

ESN = Philips™ EasySense
 DAY = Daylight Harvesting Sensor
 OCC = Occupancy Sensor

ADDITIONAL OPTIONS

9CR = 90 Color Rendering Index
 TWH = Tunable White LED⁷
 RGB/W = Dynamic Color Changing⁷

OPTIONS NOTES:

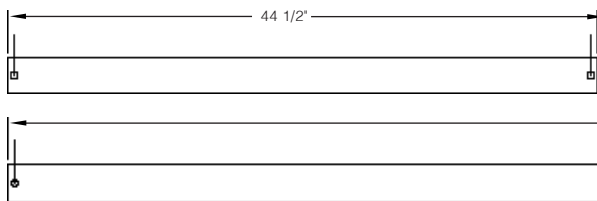
- ¹Standard 0-10V 1% with linear dimming curve. Add "LOG" to option code for 0-10V 1% logarithmic dimming curve.
- ²Philips™ Xitanium™ Sensor Ready driver for use w/integrated wireless sensors including Philips™ EasySense™, Enlighted™, EnOcean™, Digital Lumens™ and others.
- ³Hi-Lume 1%-H EcoSystem™ with Soft-On, Fade-to-Black™ dimming.
- ⁴120V two-wire forward phase control only.
- ⁵Delivered emergency lumens for SI lens option only. For other lens options multiply specific fixture LPW (below) by EPC wattage. ⁶Philips EasySense wireless daylight/occupancy sensor for use with Philips Sensor Ready (SR) drivers. Programmable by smartphone with free software from www.philips.com. Contact factory for details.
- ⁷Tunable White light and RGB/W dynamic color changing options available. Contact Day-O-Lite for details.

Day-O-Lite is a Lutron™ Advantage OEM Program Partner. Lutron drivers are backed by a 10 year warranty. For more information on Lutron LED drivers and controls please visit www.lutron.com.



Linear Sections Plaster Ceiling

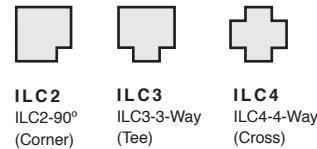
NOMINAL LENGTH	ACTUAL LENGTH
4'	44 1/2"
6'	66 3/4"
8'	89"
12'	133 1/2"
16'	178"
20'	222 1/2"



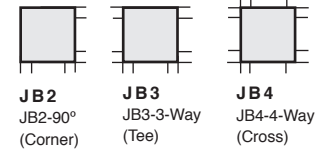
DIMENSIONS shown are for flanged and trimless configurations in plaster ceilings. Individual fixtures and rows are continuously illuminated and joined with included aligner brackets and hardware.

CORNERS & JOINERS are custom fabricated to precise dimensions. Please indicate the specific requirements on the layout. For any angular corner, (°) must be specified and dimensions must be included on the layout.

CORNERS (Illuminated)



JOINER BOXES (unilluminated)

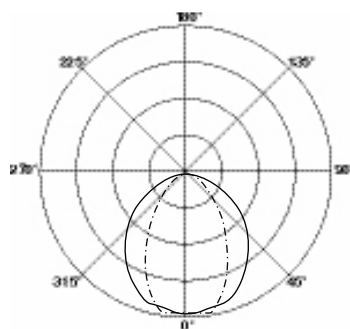


Photometry

GEML-1919-D-DP-40-SO-4-F

CANDELA DISTRIBUTION

Vert. Angle	0	22.5	45	67.5	90
0	1220	1220	1220	1220	1220
5	1209	1224	1185	1215	1213
10	1184	1210	1201	1198	1225
15	1175	1166	1174	1150	1136
20	1146	1127	1087	1021	1005
25	1069	1061	990	890	854
30	1002	979	857	736	701
35	918	899	739	601	570
40	837	794	616	488	452
45	751	690	501	383	351
50	655	577	386	285	255
55	566	461	292	200	177
60	454	354	205	152	145
65	353	256	144	120	114
70	251	166	107	91	88
75	160	101	74	66	62
80	78	54	46	40	37
85	23	22	20	18	17
90	3	3	3	3	3



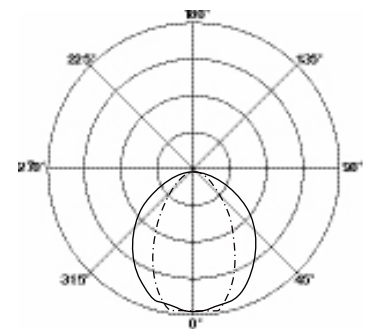
4000K CCT
 WATTS: 32
 LUMENS: 2366
 LPW = 74

Optical Distribution:
 100% Direct

GEML-1919-D-DP-40-LO-4-F

CANDELA DISTRIBUTION

Vert. Angle	0	22.5	45	67.5	90
0	915	915	915	915	915
5	907	918	889	912	909
10	888	908	901	899	919
15	881	875	880	863	852
20	859	845	816	766	754
25	802	796	742	668	640
30	751	735	643	552	526
35	688	674	554	451	428
40	627	595	462	366	339
45	563	518	376	287	263
50	492	433	290	214	191
55	425	345	219	150	133
60	340	266	154	114	109
65	265	192	108	90	85
70	188	125	80	69	66
75	120	76	56	50	46
80	58	41	35	30	28
85	17	17	15	13	13
90	2	3	3	2	2



4000K CCT
 WATTS: 24
 LUMENS: 1775
 LPW = 74

Optical Distribution:
 100% Direct

For complete photometrics and .IES files please visit the GEML-1919-D-F page at www.dayolite.com