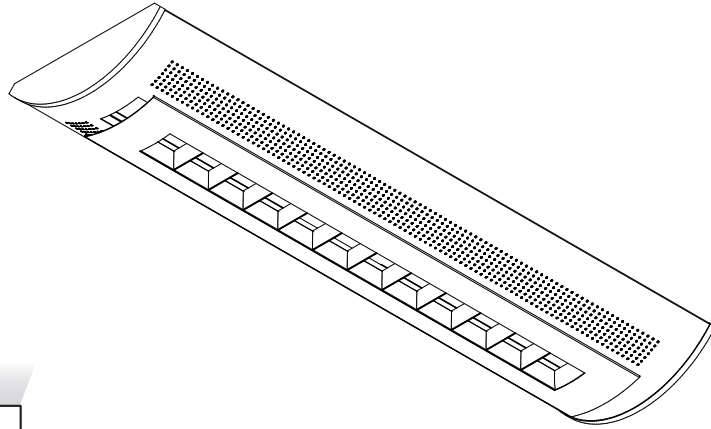


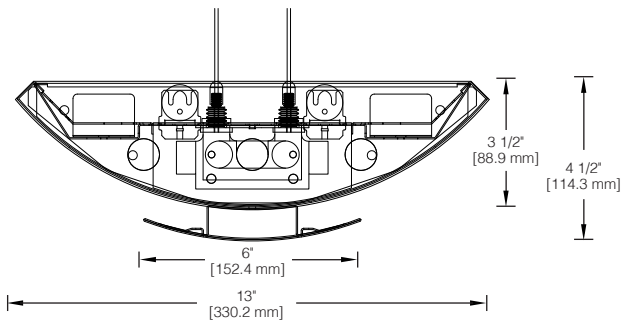


Jazz | JAZ-1456-DI Fluorescent Luminaire

DATE	NOTES
PROJECT	
TYPE	



Direct / Indirect



HOUSING: Two-piece, die-formed, 20-gauge cold rolled steel welded construction forming a 13" x 4 1/2" rounded profile. Continuous perforated sections are 1/16" x 3/32" straight centers with white acrylic translucent overlay. Finished end caps are laser cut cold rolled steel with no exposed hardware or knockouts.

REFLECTOR: Die-formed, cold rolled steel finished in high gloss baked white enamel. Die-formed specular reflector is also available.

ELECTRICAL: Ballast is electronic, low profile, universal voltage 120/277, high power factor, thermally protected, sound rated A with less than 10% total harmonic distortion. Luminaires in rows are prewired with quick connect through wiring. Integrated locking disconnects are standard. The minimum number of ballasts will be used unless otherwise specified. Please consult factory for lamp/ballast availability.

MOUNTING: Standard Installation is an adjustable self-locking dual aircraft cable assembly 48" x 3/32" in diameter with 5" canopy. One 16/4 SJT straight 54" cord is supplied with each power feed. Standard pendants are available in 24" lengths.

FINISH: Fixture housing and steel components are finished in baked white enamel applied over a five-stage pretreatment process.

LAMPS: Fixtures are provided for use with two or three T5, T5HO or T8 lamps for direct and indirect lighting (supplied by others).

CERTIFICATION: Luminaires are cULus listed and Union Made in the United States of America. I.B.E.W.

Ordering Guide (choose from the lists below and specify)

MODEL	DIRECTION	SHIELDING	NUMBER OF LAMPS	LAMPS	MOUNTING	ROW LENGTH	FINISH	VOLTAGE	OPTIONS*
JAZ-1456									
JAZ-1456	DI = Direct/Indirect	PBL = Parabolic Louver	2 3	T5 T5HO T8	ACB = Dual Cable PD2 = Dual Pendant	4 = 4 ft 8 = 8 ft For other, please enter row length (e.g. 48 = 48 ft)	W = White CC = Custom Color	UNV = 120/277	DIM10 = 0-10V Dimming DIMLV = Dimming Line Voltage DIMST = Step Dimming DIMHL = Dimming Lutron PRGS = Program Rapid Start S O C = Sensor Options E P C = Emergency Pack E M C = Emergency Circuit T C W = Two Circuit Wiring H E O = High Efficiency Optics**

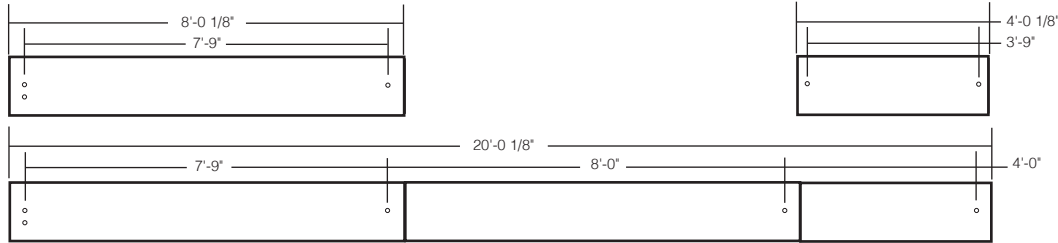
*For the complete list of all available options please visit www.dayolite.com

**Consult factory for High Efficiency Optics options (HEO).

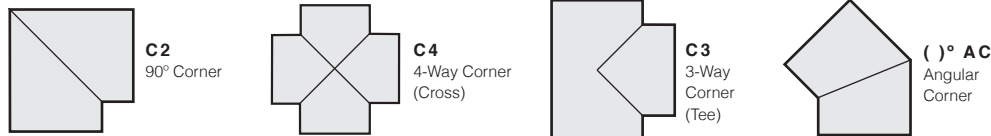


Linear Sections and Suspension Location

SUSPENSION MOUNTING



CORNERS Corners and fixture extensions are custom fabricated to precise dimensions. Please indicate the specific requirements on the layout.

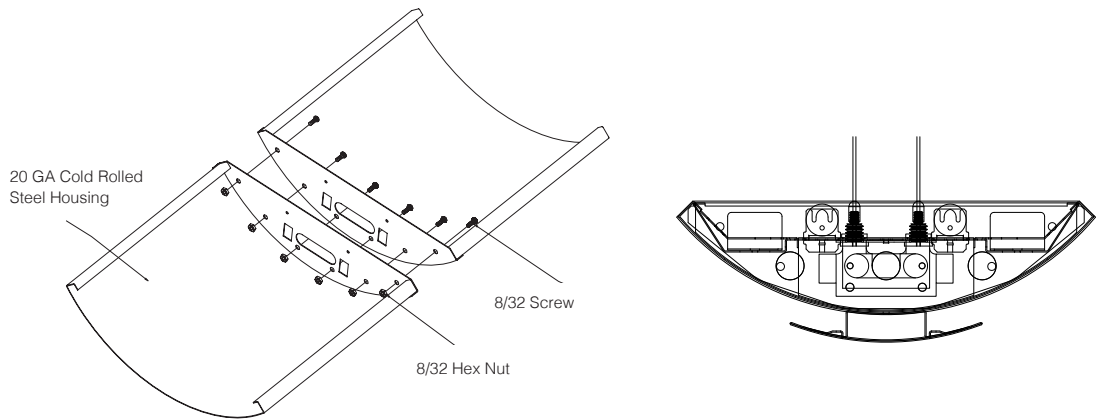


For any angular corner, ()° must be specified and dimensions must be included on the layout

For any pattern, a layout must accompany the order.

Installation Preparation

Fixtures in rows are joined with supplied hardware as shown. Standard installation is an adjustable self-locking dual aircraft cable assembly 48" x 3/32" in diameter with 5" canopy. One 16/4 SJT straight 54" cord is supplied with each power feed. Standard pendants are available in 24" lengths.



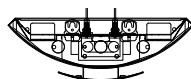
Photometry

COEFFICIENTS OF UTILIZATION—ZONAL CAVITY METHOD

pfc = 0.20

pcc	.8				.7				.5				.3				.1				0
pw	.7	.5	.3	.1	.7	.5	.3	.1	.5	.3	.1	.5	.3	.1	.5	.3	.1	.5	.3	.1	0
RCR																					
0	84	84	84	84	74	74	74	74	55	55	55	38	38	38	21	21	21	14			
1	77	73	70	66	67	65	62	59	48	46	44	33	32	31	18	18	18	12			
2	70	64	59	53	61	56	52	47	42	39	36	29	27	25	15	15	15	10			
3	64	56	50	44	56	50	45	39	37	34	30	25	23	21	12	12	12	8			
4	58	50	43	36	51	44	38	33	33	29	25	23	20	18	11	11	11	7			
5	53	44	37	31	47	39	33	27	29	25	21	20	18	15	9	9	9	6			
6	49	39	33	26	43	35	29	23	26	22	18	18	16	13	8	8	8	5			
7	45	35	29	22	39	31	25	20	23	19	16	16	14	11	7	7	7	5			
8	41	31	25	19	36	28	22	17	21	17	13	15	12	10	6	6	6	4			
9	38	28	22	17	34	25	20	15	19	15	12	13	11	8	5	5	5	4			
10	36	26	20	15	31	23	18	13	17	14	10	12	10	7	5	5	5	3			

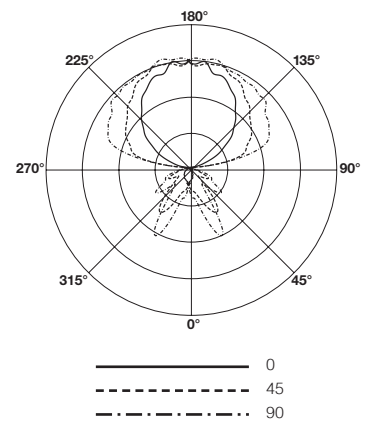
JAZ-1456-DI-PBL-2T8 (HEO)
Total Luminaire Optical Efficiency = 85.0%



**Consult factory for High Efficiency Optics options (HEO).

CANDELA DISTRIBUTION

Vert. Angle	0	22.5	45	67.5	90
0	81	81	81	81	81
10	80	95	141	163	190
20	82	137	227	293	315
30	86	187	324	450	487
40	93	228	375	530	587
50	97	223	300	477	519
60	79	98	93	92	90
70	31	38	49	52	54
80	20	24	33	40	43
90	14	25	34	39	43
100	144	284	443	474	476
110	294	416	610	774	816
120	467	563	718	823	873
130	623	701	818	920	940
140	769	828	897	957	981
150	859	925	964	995	1011
160	945	975	1009	1037	1050
170	984	978	1013	1051	1002
180	983	983	983	983	983



— 0
- - - 45
- · - · - 90

Lamp (2) 32w T8
Lumens: 2900 Per Lamp

Optical Distribution:
15% Direct: 85% Indirect