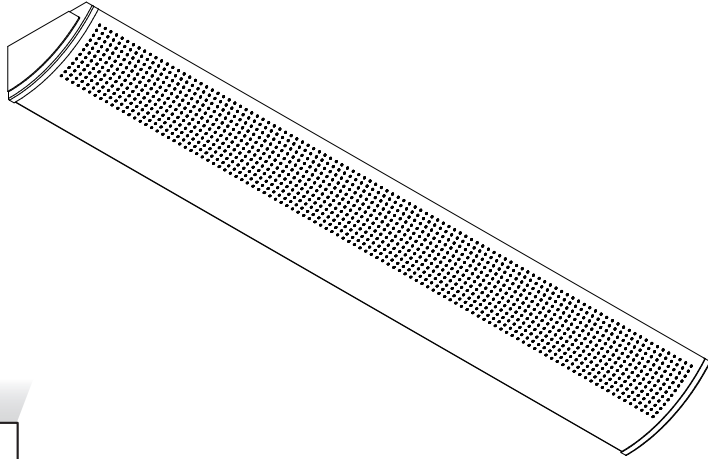


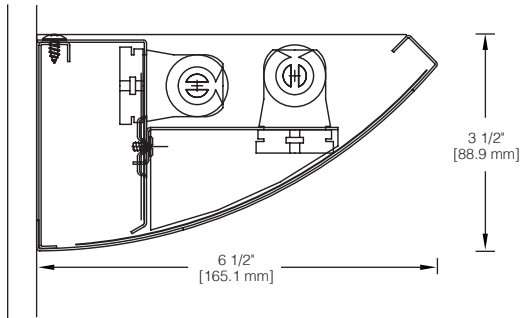


Jazz | JAZ-FE-DI Wall Mount Fluorescent Luminaire

DATE	NOTES
PROJECT	
TYPE	



Direct / Indirect



HOUSING: One-piece, die-formed, 20-gauge cold rolled steel welded construction forming a 6 1/2" x 3 1/2" rounded profile. Continuous perforated sections are 1/16" x 3/32" straight centers with a white translucent overlay. Finished end caps are laser cut cold rolled steel with no exposed hardware or knockouts.

REFLECTOR: Die-formed, 20-gauge cold rolled steel in high gloss baked white enamel. Die-formed specular reflector is also available.

ELECTRICAL: Ballast is electronic, low profile, universal voltage 120/277, high power factor, thermally protected, sound rated A with less than 10% total harmonic distortion. Luminaires in rows are prewired with quick connect through wiring. Integrated locking disconnects are standard. The minimum number of ballasts will be used unless otherwise specified. Please consult factory for lamp/ballast availability.

MOUNTING: Standard installation is direct to junction box or conduit feed. Mounting holes provided for additional supporting hardware (supplied by others).

FINISH: Fixture housing and steel components are finished in baked white enamel applied over a five-stage pretreatment process.

LAMPS: Fixtures are provided for use with one or two T5, T5HO, T8 or compact fluorescent lamps (supplied by others).

CERTIFICATION: Luminaires are cULus listed and Union Made in the United States of America. I.B.E.W.

Ordering Guide (choose from the lists below and specify)

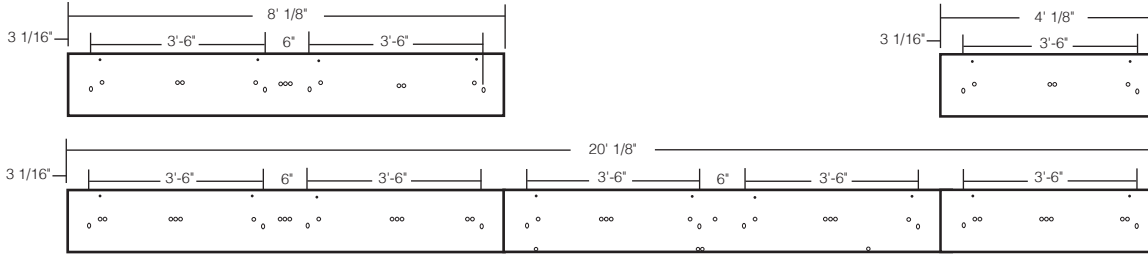
MODEL	DIRECTION	NUMBER OF LAMPS	LAMPS	MOUNTING	ROW LENGTH	FINISH	VOLTAGE	OPTIONS*
JAZ-FE								
JAZ-FE	DI = Direct/ Indirect	1 2	T5 T5HO T8 40CF 50CF	WM = Wall Mount	2 = 2 ft 3 = 3 ft 4 = 4 ft 6 = 6 ft 8 = 8 ft For other, please enter row length (e.g. 48 = 48 ft)	W = White CC = Custom Color	UNV = 120/277	DIM10 = 0-10V Dimming DIMLV = Dimming Line Voltage DIMST = Step Dimming DIMHL = Dimming Lutron PRGS = Program Rapid Start S O C = Sensor Options E P C = Emergency Pack E M C = Emergency Circuit T C W = Two Circuit Wiring

*For the complete list of all available options please visit www.dayolite.com

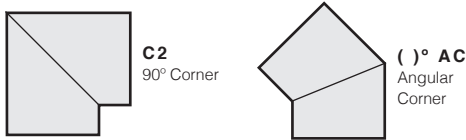


Linear Sections and Suspension Location

WALL MOUNTING



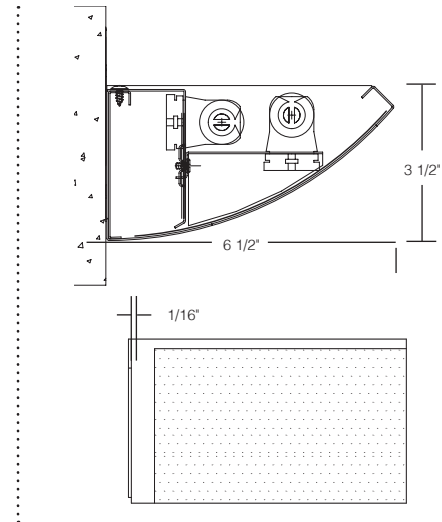
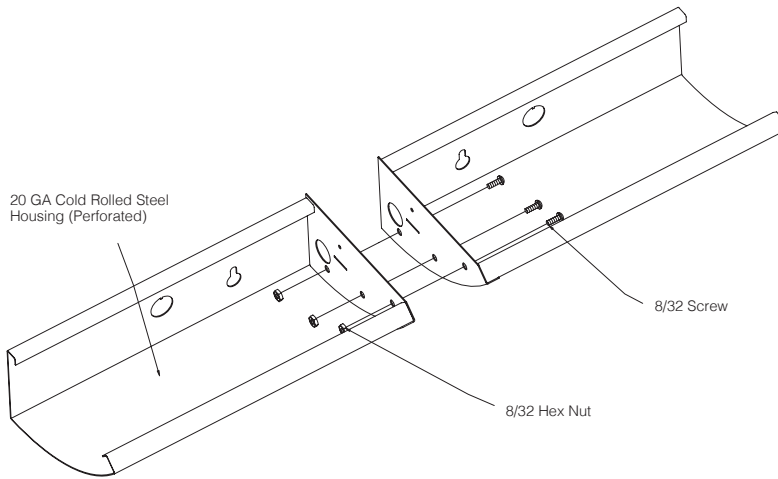
CORNERS Corners and fixture extensions are custom fabricated to precise dimensions. Please indicate the specific requirements on the layout.



For any angular corner, ()° must be specified and dimensions must be included on the layout

For any pattern, a layout must accompany the order.

Installation Preparation



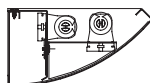
Photometry

COEFFICIENTS OF UTILIZATION—ZONAL CAVITY METHOD

pfc = 0.20

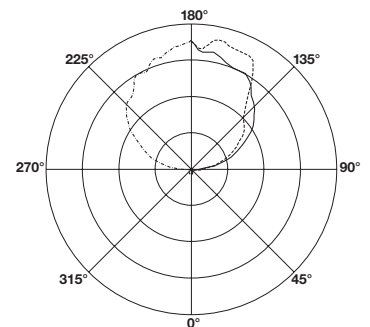
pcc	.8				.7				.5				.3				.1				0
pw	.7	.5	.3	.1	.7	.5	.3	.1	.5	.3	.1	.5	.3	.1	.5	.3	.1	.5	.3	.1	0
RCR	0	79	79	79	69	69	69	69	51	51	51	35	35	35	20	20	20	13	13	13	13
1	71	68	65	61	62	60	57	54	44	43	40	30	29	28	16	16	16	10	10	10	10
2	65	59	54	49	57	52	48	43	39	36	33	26	25	23	13	13	13	8	8	8	8
3	59	52	46	40	51	45	41	35	34	31	27	23	21	19	11	11	11	7	7	7	7
4	54	45	39	33	47	40	35	29	30	26	23	20	18	16	9	9	9	6	6	6	6
5	49	40	34	28	43	36	30	25	27	23	19	18	16	13	8	8	8	5	5	5	5
6	45	36	30	24	39	32	26	21	24	20	16	16	14	11	7	7	7	4	4	4	4
7	41	32	26	20	36	28	23	18	21	18	14	15	12	10	6	6	6	4	4	4	4
8	38	29	23	17	33	26	21	16	19	16	12	13	11	9	5	5	5	3	3	3	3
9	35	26	21	15	31	23	18	14	18	14	11	12	10	8	5	5	5	3	3	3	3
10	33	24	18	13	29	21	16	12	16	13	9	11	9	7	4	4	4	3	3	3	3

JAZ-FE-DI-WM-2T8
Total Luminaire Optical
Efficiency = 79.1%



CANDELA DISTRIBUTION

Vert. Angle	0	22.5	45	67.5	90
0	209	209	209	209	209
10	246	242	224	229	236
20	262	262	242	235	210
30	252	255	247	219	196
40	255	248	233	199	173
50	235	235	210	176	145
60	223	208	184	151	110
70	186	175	149	115	77
80	151	145	118	83	50
90	129	122	92	59	13
100	301	292	272	244	176
110	544	537	527	469	380
120	811	801	736	658	557
130	966	933	872	784	724
140	1048	1031	990	899	863
150	1124	1090	1035	998	963
160	1125	1094	1064	1074	1073
170	1127	1106	1133	1092	1110
180	1127	1127	1127	1127	1127



— 0
- - - 45
- · - · - 90

Lamp (2) 32w T8
Lumens: 2900 Per Lamp

Optical Distribution:
17% Direct: 83% Indirect