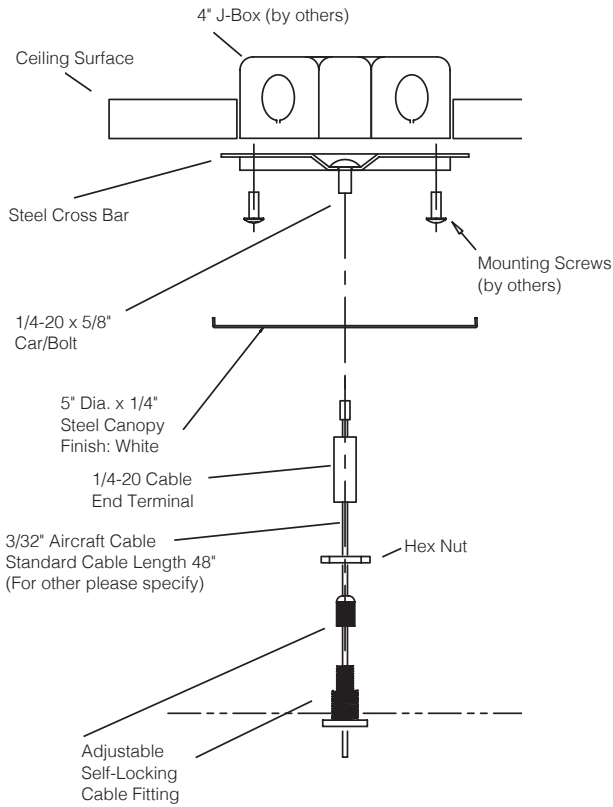
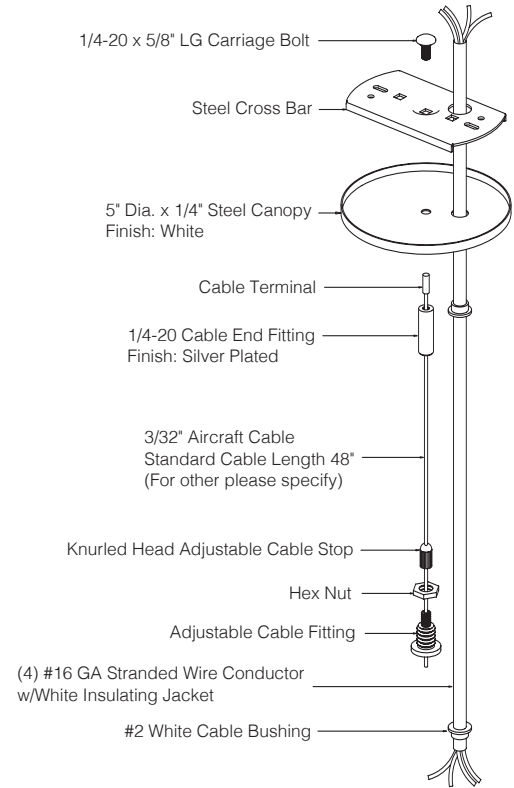


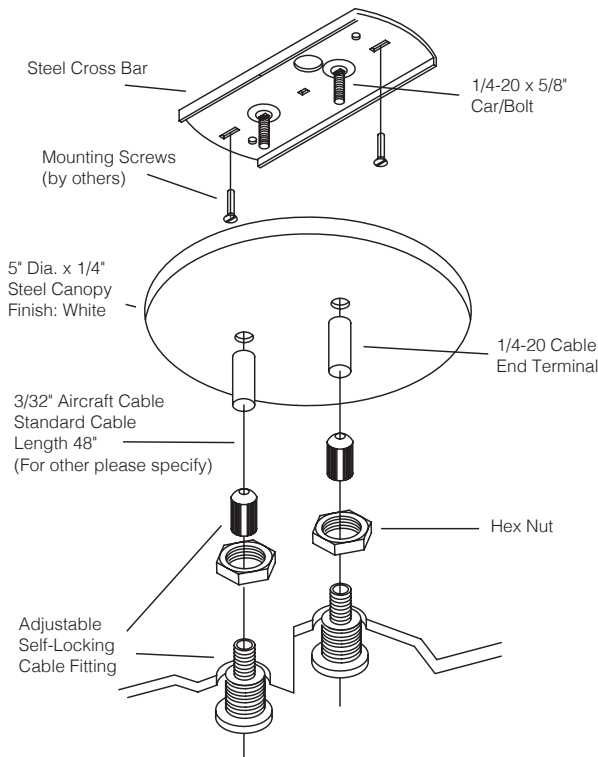
AC (STANDARD CABLE MOUNT)



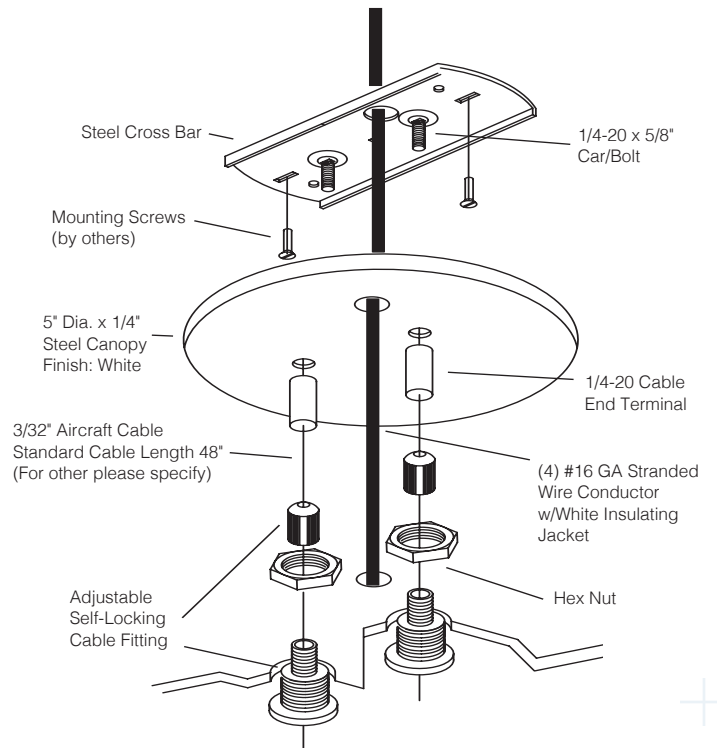
ACA (AC WITH STRAIGHT POWER FEED)



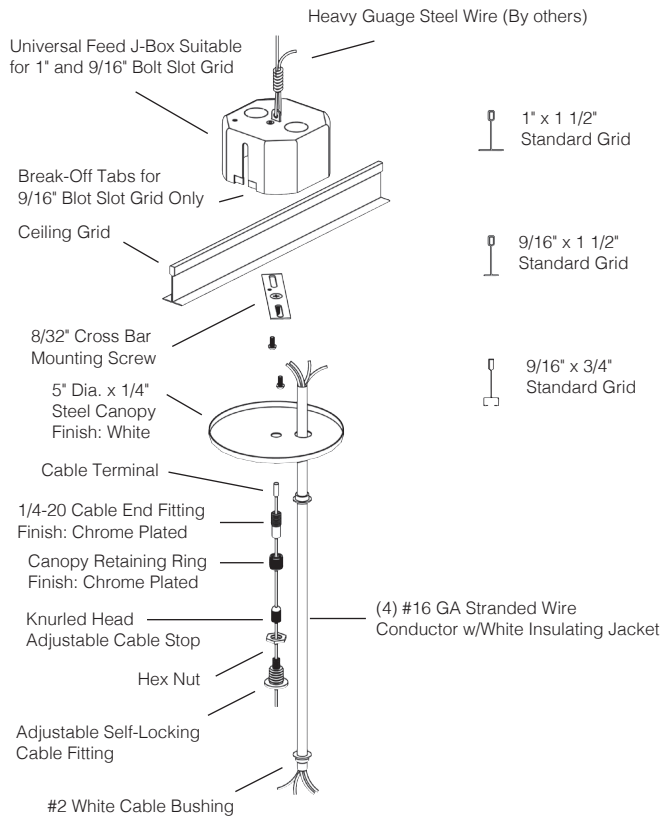
ACB (DOUBLE CABLE MOUNTING)



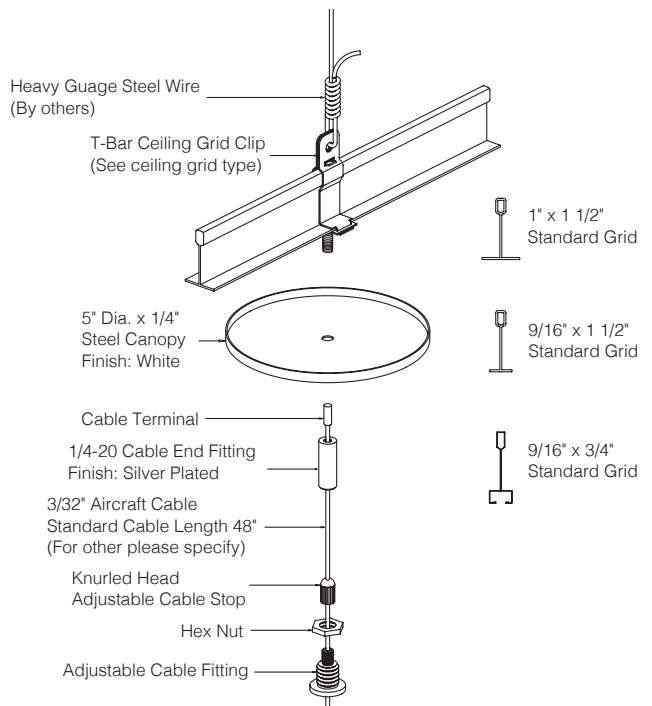
ACC (DOUBLE CABLE WITH STRAIGHT POWER FEED)



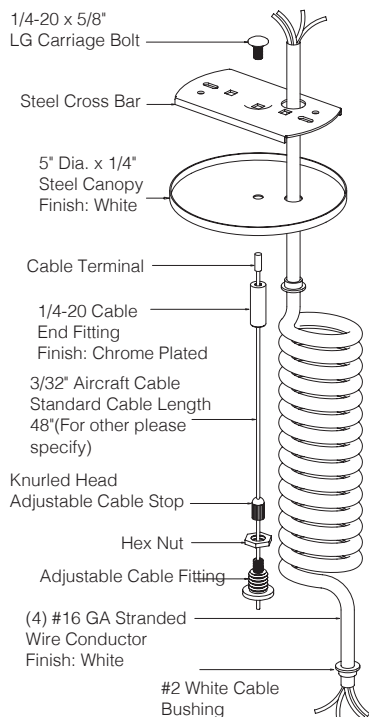
ACA J-BOX (AC W/JBOX FOR GRID MOUNTING)



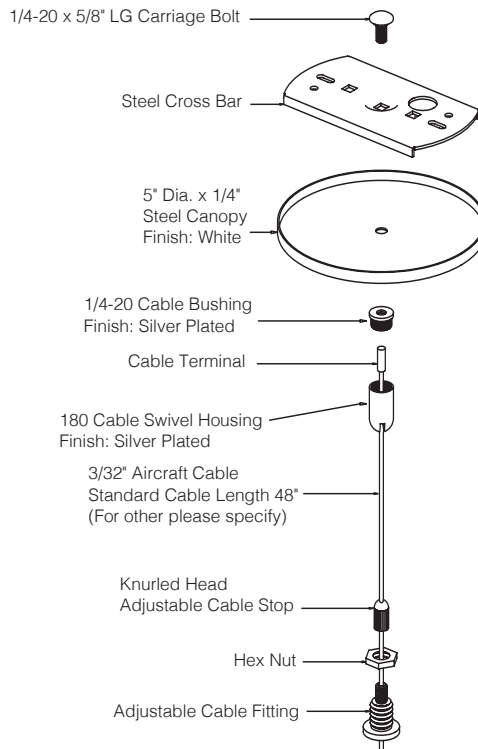
ACD (AC GRID MOUNTED)



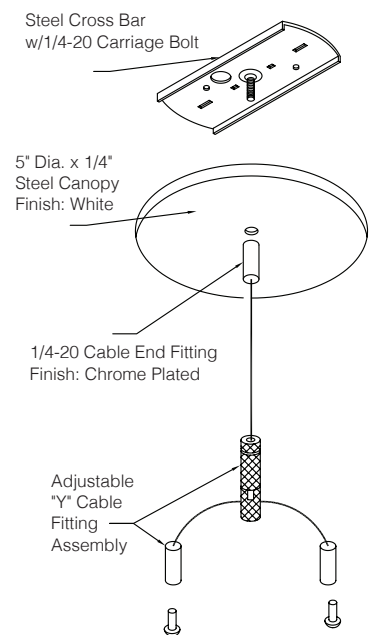
ACF (AC W/COILED POWER FEED)



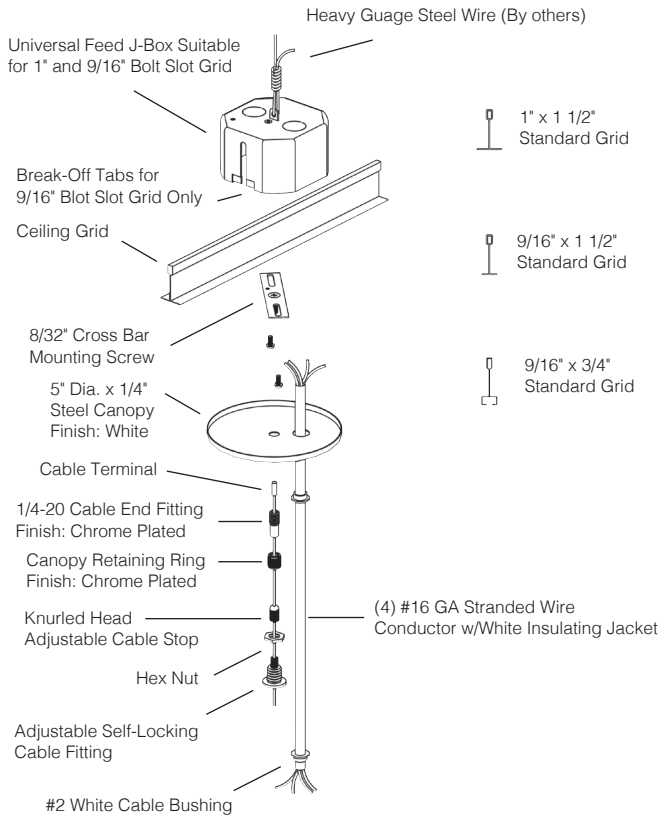
ACH (AC ANGLED ASSEMBLY)



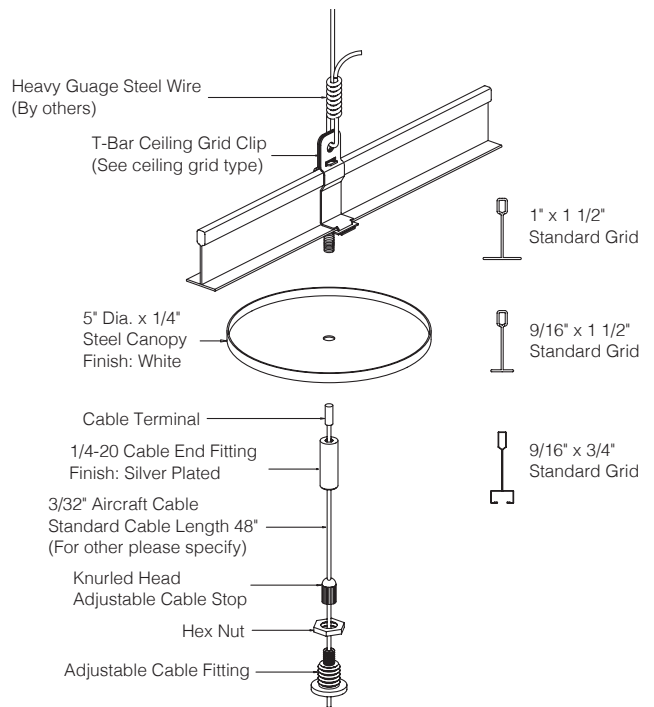
ACY (AC "Y" CABLE ASSEMBLY)



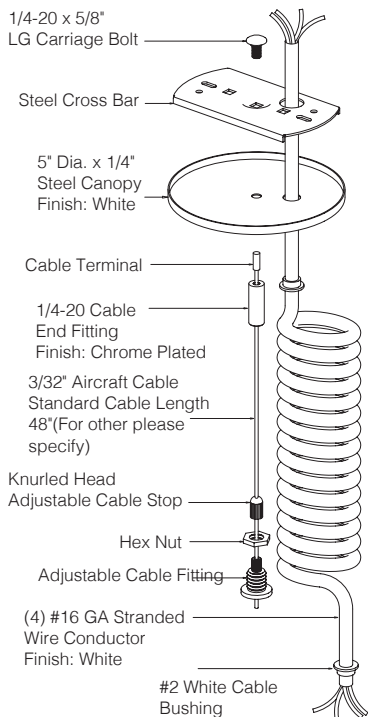
ACA J-BOX (AC W/JBOX FOR GRID MOUNTING)



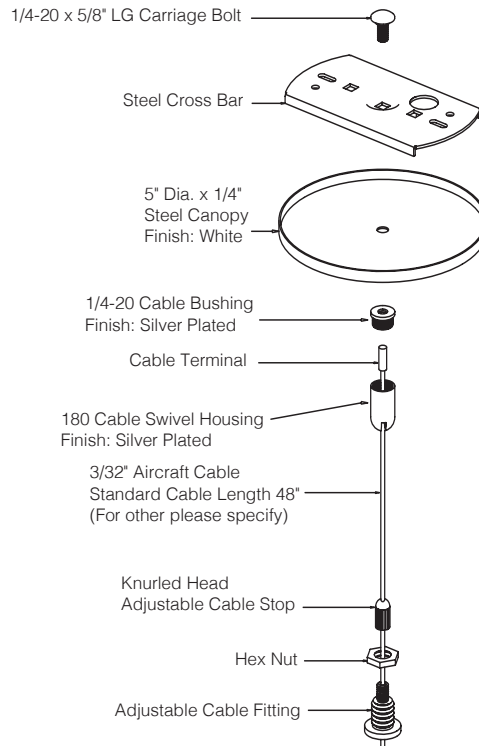
ACD (AC GRID MOUNTED)



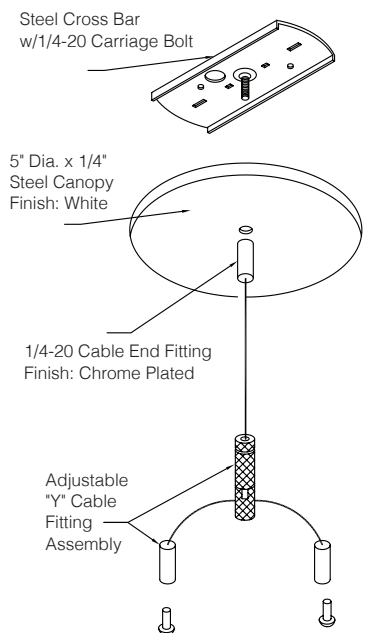
ACF (AC W/COILED POWER FEED)



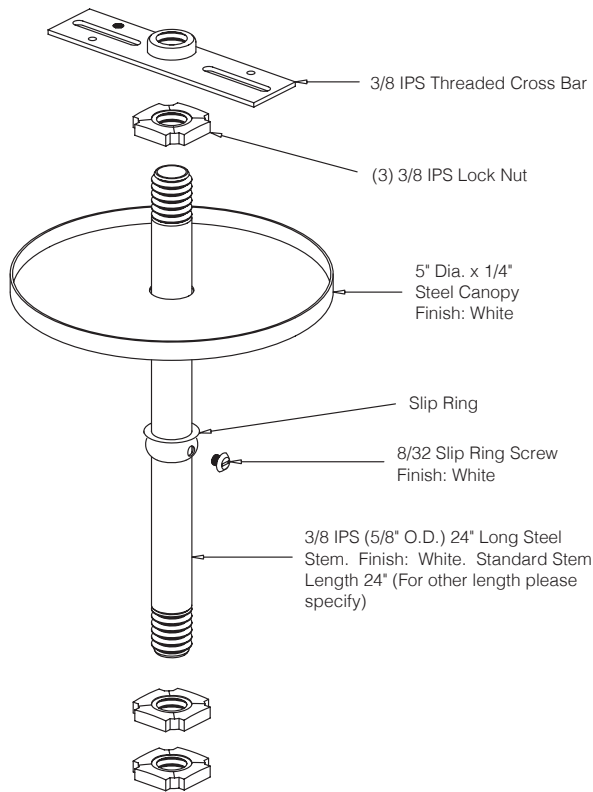
ACH (AC ANGLED ASSEMBLY)



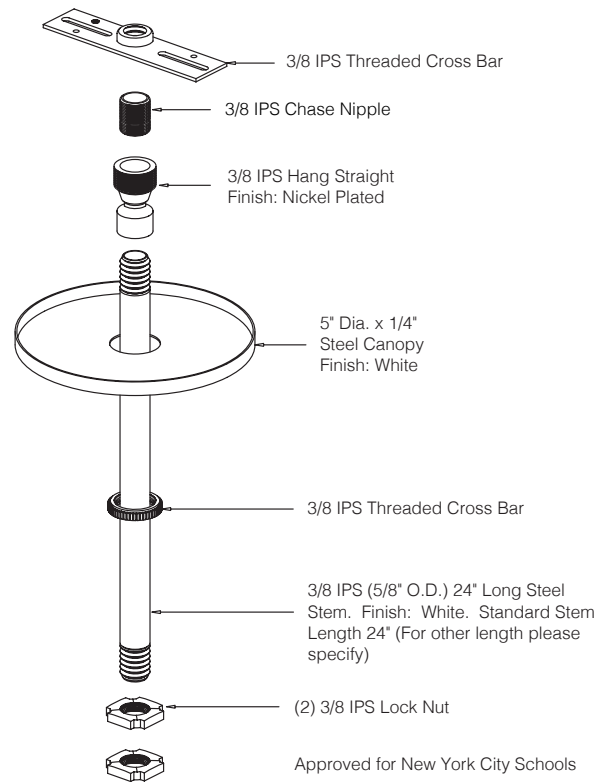
ACY (AC "Y" CABLE ASSEMBLY)



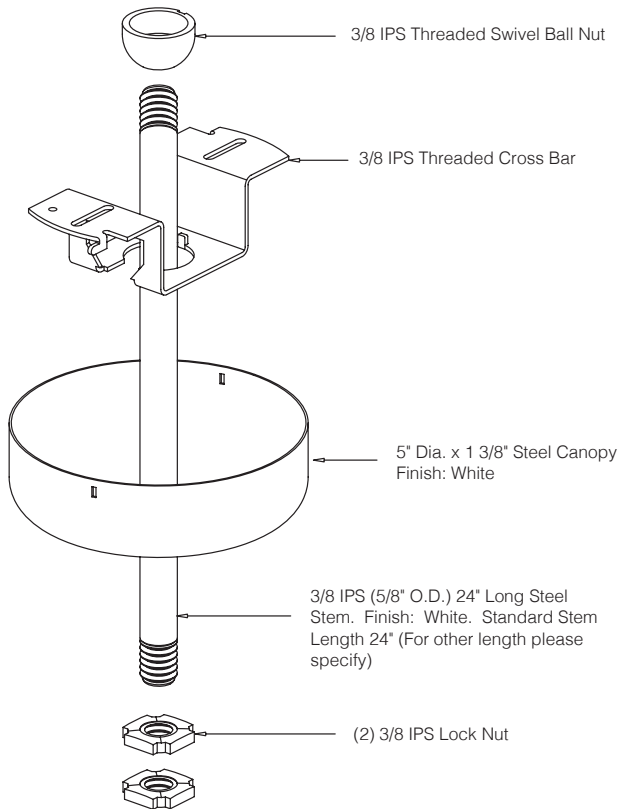
PD (STANDARD RIGID STEM MOUNTING)



PDA (HANG STRAIGHT)



PDB (SWIVEL ASSEMBLY)



PDC (EARTHQUAKE ASSEMBLY)

