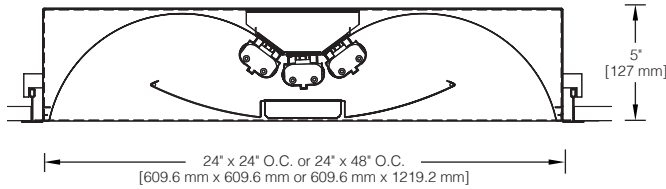
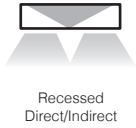
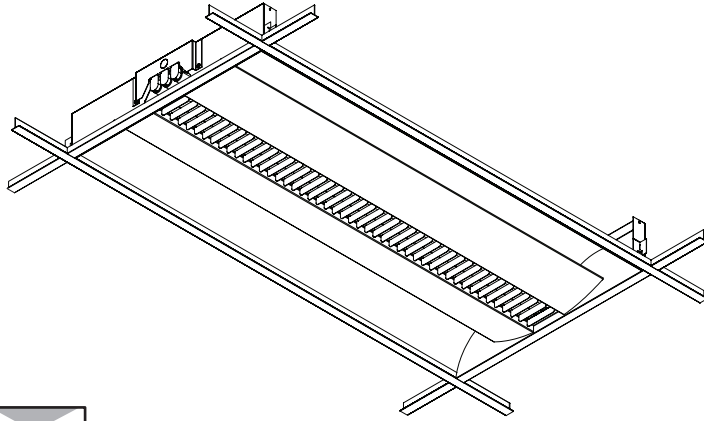




# New Age | NAS-1513 Fluorescent Luminaire

DATE	NOTES
PROJECT	
TYPE	



**HOUSING:** Die-formed, 20-gauge cold, rolled steel housing. Housing has an access plate on top with two 7/8" diameter knockouts.

**REFLECTOR:** Highly reflective, die-formed steel finished in low glare matte baked white enamel. Consult factory for High Efficiency Optics (HEO) options.

**SHIELDING:** Die-formed, 3/4" x 1" O.C. louver blades centered in fixture between two perforated steel lamp shields with a white acrylic translucent overlay. The hinged lamp shield is removable for easy lamp access.

**ELECTRICAL:** Ballast is electronic, low profile, universal voltage 120/277, high power factor, thermally protected, sound rated A with less than 10% total harmonic distortion. Pre-wired with integrated locking disconnects. The minimum number of ballasts will be used unless otherwise specified. Please consult factory for lamp/ballast availability.

**MOUNTING:** Standard installation is in an exposed inverted T-bar ceiling. Optional trims are also available for installations in miniature grid, drywall or plaster ceiling. Four support brackets are included with each fixture.

**FINISH:** Fixture housing and steel components are finished in baked white enamel applied over a five-stage pretreatment process.

**LAMPS:** Fixtures are provided for use with, two or three T5, T5HO, T8 or compact fluorescent lamps (supplied by others).

**CERTIFICATION:** Luminaires are cULus listed and Union Made in the United States of America. I.B.E.W.

## Ordering Guide (choose from the lists below and specify)

MODEL	NUMBER OF LAMPS	LAMPS	SIZE	MOUNTING	FINISH	VOLTAGE	OPTIONS*
<b>NAS-1513</b>							
NAS-1513	2	T5	22 = 2 x 2	G = Grid	W = White	UNV = 120/277	DIM10 = 0-10V Dimming DIMLV = Dimming Line Voltage DIMST = Step Dimming DIMHL = Dimming Lutron PRGS = Program Rapid Start S O C = Sensor Options E P C = Emergency Pack E M C = Emergency Circuit T C W = Two Circuit Wiring H E O = High Efficiency Optics**
	3	T5HO T8 40CF 50CF	24 = 2 x 4	MG = Mini Grid SG = Slot Grid F = Flanged (recessed) S = Surface	CC = Custom Color		

\*For the complete list of all available options please visit [www.dayolite.com](http://www.dayolite.com)

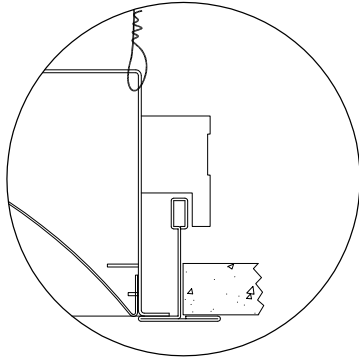
\*\*Consult factory for High Efficiency Optics options (HEO).

Day-O-Lite, a division of SCW Corporation. All rights reserved. The Day-O-Lite logo is a registered trademark of SCW Corporation. Day-O-Lite reserves the right to change specifications without notice for product improvement.



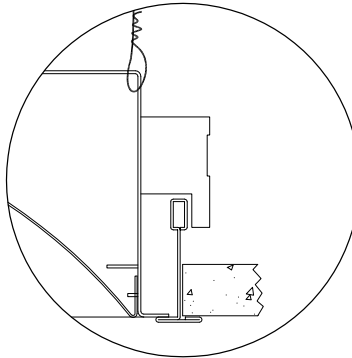
## Grid Ceiling Options

**MOUNTING "G"**



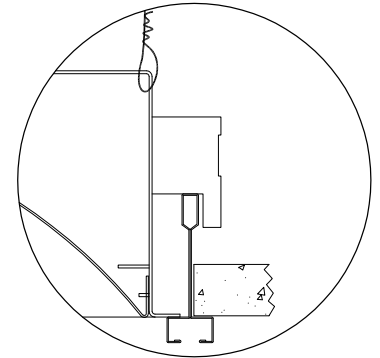
15/16" Inverted "T"

**MOUNTING "MG"**



9/16" Inverted "T"

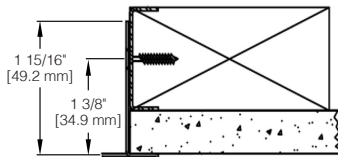
**MOUNTING "SG"**



Bolt / Slot Grid

## Drywall Ceiling

Mounting Detail



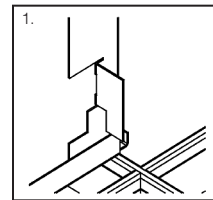
Flange Kit for drywall ceilings included with each fixture. Additional kits may be purchased separately.

FK-14 for 1x4      FK-24 for 2x4  
FK-22 for 2x2      FK-44 for 4x4

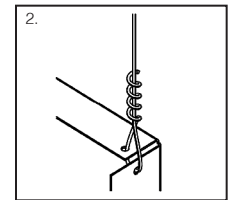
## Grid Ceiling

Five-step Universal Installation Sequence.

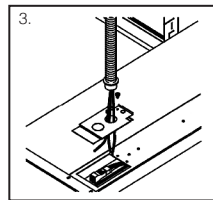
Complete Installation Instructions for grid and drywall ceiling types are available at: [www.dayolite.com](http://www.dayolite.com)



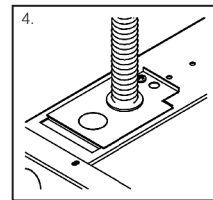
Position Fixture



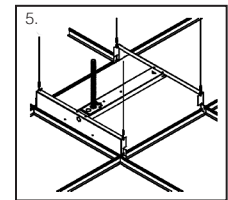
Secure Tie Wire



Connect Power



Close Access Plate



Installation Complete

## Photometry

### COEFFICIENTS OF UTILIZATION-ZONAL CAVITY METHOD

pfc = 0.20

pcc	.8			.7			.5			.3			.1			0		
pw	.7	.5	.3	.1	.7	.5	.3	.1	.5	.3	.1	.5	.3	.1	.5	.3	.1	0

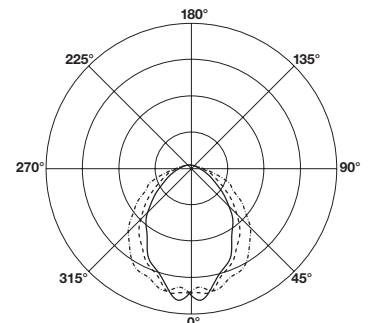
RCR	0	66	66	66	66	64	64	64	64	61	61	61	59	59	59	56	56	56	55
1	61	58	56	54	59	57	55	53	55	53	52	52	51	50	50	49	48	47	47
2	56	51	48	45	54	50	47	44	48	46	43	47	44	42	45	43	41	40	40
3	51	45	41	38	50	45	41	38	43	40	37	41	39	36	40	38	36	34	34
4	47	41	36	32	46	40	36	32	38	35	32	37	34	31	36	33	31	30	30
5	43	36	32	28	42	36	31	28	35	31	28	34	30	27	33	30	27	26	26
6	40	33	28	25	39	32	28	25	31	27	24	30	27	24	30	26	24	23	23
7	37	30	25	22	36	29	25	22	29	25	22	28	24	22	27	24	21	20	20
8	35	27	23	20	34	27	23	20	26	22	20	26	22	19	25	22	19	18	18
9	32	25	21	18	32	25	21	18	24	20	18	24	20	18	23	20	17	17	17
10	30	23	19	16	30	23	19	16	22	19	16	22	18	16	21	18	16	15	15

NAS-1513-2T5-22  
Total Luminaire Optical  
Efficiency = 55.5%



### CANDELA DISTRIBUTION

Vert. Angle	0	22.5	45	67.5	90
0	1543	1543	1543	1543	1543
5	1637	1562	1547	1576	1478
10	1519	1479	1552	1553	1539
15	1377	1393	1421	1465	1519
20	1294	1310	1338	1385	1445
25	1200	1184	1266	1323	1425
30	1029	1043	1149	1266	1370
35	917	926	1060	1155	1260
40	814	826	947	1077	1146
45	667	682	804	951	1044
50	542	565	682	821	886
55	408	453	548	685	774
60	314	335	426	556	614
65	230	247	334	468	547
70	158	169	256	354	386
75	107	108	147	195	206
80	70.7	68.5	61.7	78.0	82.5
85	36.4	28.1	22.6	25.6	32.2
90	5.79	4.45	6.56	5.18	6.26



— 0  
- - - 45  
- · - · 90

Lamp (2) 28w T5  
Lumens: 2900 Per Lamp

Optical Distribution:  
100% Direct