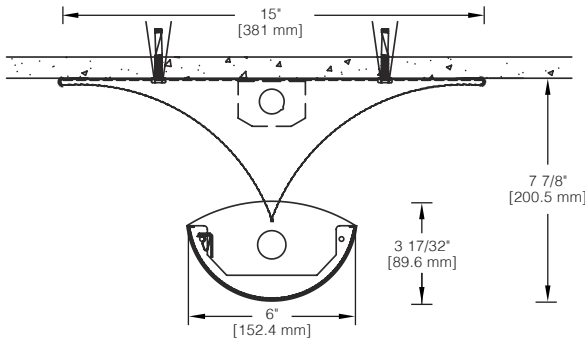
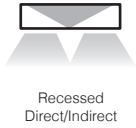
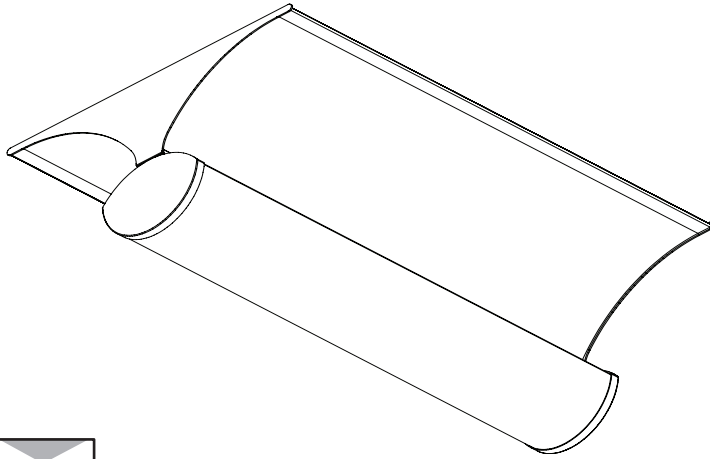




New Age | NAS-1712 Fluorescent Luminaire

DATE	NOTES
PROJECT	
TYPE	



HOUSING: Die-formed, 20-gauge, cold rolled steel construction forming a sculptured profile finished in baked white enamel. The finished ends are cold rolled steel with no exposed hardware or knockouts.

REFLECTOR: Highly reflective, die-formed steel finished in low glare matte baked white enamel. Consult factory for High Efficiency Optics (HEO) options.

SHIELDING: Die-formed, perforated steel lamp shield with a white acrylic translucent overlay. The end caps are cold rolled steel welded to the lamp shield. The hinged lamp shield is removable for easy lamp access.

ELECTRICAL: Ballast is electronic, low profile, universal voltage 120/277, high power factor, thermally protected, sound rated A with less than 10% total harmonic distortion. Pre-wired with integrated locking disconnects. The minimum number of ballasts will be used unless otherwise specified. Please consult factory for lamp/ballast availability.

MOUNTING: Standard installation is surface mount. An adjustable self-locking aircraft cable assembly 48" x 3/32" in diameter with 5" canopy is also available. One 16/4 SJT straight 54" cord is supplied with each power feed. Standard pendants are available in 24" lengths.

FINISH: Fixture housing and steel components are finished in baked white enamel applied over a five-stage pretreatment process.

LAMPS: Fixtures are provided for use with one compact fluorescent, or one or two T5, T5HO or T8 lamps (supplied by others).

CERTIFICATION: Luminaires are cULus listed and Union Made in the United States of America. I.B.E.W.

Ordering Guide (choose from the lists below and specify)

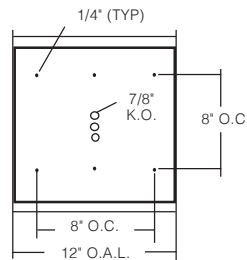
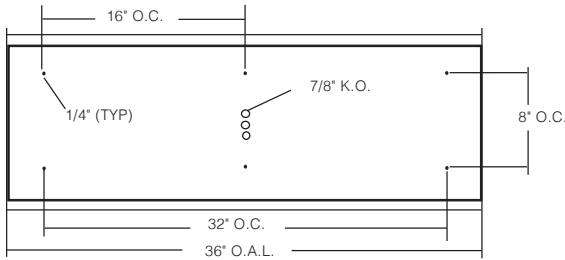
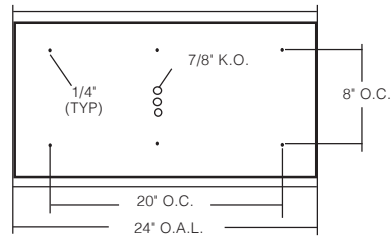
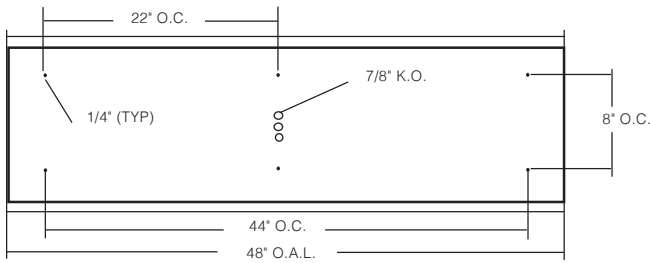
MODEL	SHIELDING	NUMBER OF LAMPS	LAMPS	SIZE	MOUNTING	FINISH	VOLTAGE	OPTIONS*
NAS-1712								
NAS-1712	PF = Perforated (standard) See Shielding Options for all perforation patterns.	1 2	18CF T5 T5HO T8	1* = CF Lamping only 2 3 4	S = Surface ACY = Y Cable PD = Pendant	W = White CC = Custom Color	UNV = 120/277	DIM10 = 0-10V Dimming DIMLV = Dimming Line Voltage DIMST = Step Dimming DIMHL = Dimming Lutron PRGS = Program Rapid Start S O C = Sensor Options E P C = Emergency Pack E M C = Emergency Circuit T C W = Two Circuit Wiring H E O = High Efficiency Optics**

*For the complete list of all available options please visit www.dayolite.com **Consult factory for High Efficiency Optics options (HEO).

Day-O-Lite, a division of SCW Corporation. All rights reserved. The Day-O-Lite logo is a registered trademark of SCW Corporation. Day-O-Lite reserves the right to change specifications without notice for product improvement.

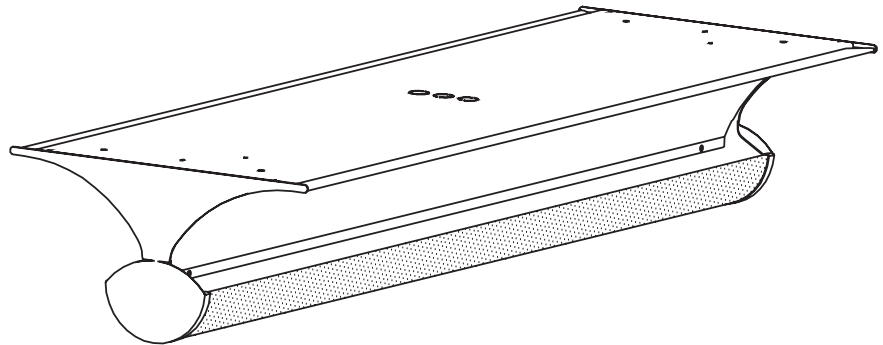


Linear Sections and Suspension Location



Installation Preparation

Standard installation is surface mount. An adjustable self-locking aircraft cable assembly 48" x 3/32" in diameter with 5" canopy is also available. One 16/4 SJT straight 54" cord is supplied with each power feed. Standard pendants are available in 24" lengths.



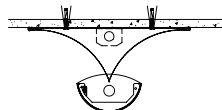
Photometry

COEFFICIENTS OF UTILIZATION-ZONAL CAVITY METHOD

pfc = 0.20

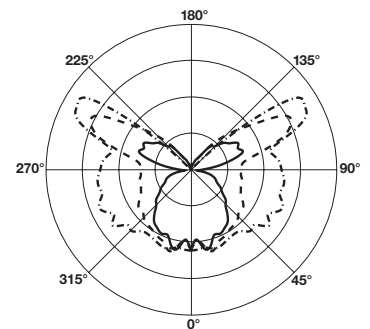
pcc	.8				.7				.5				.3				.1				0
pw	.7	.5	.3	.1	.7	.5	.3	.1	.5	.3	.1	.5	.3	.1	.5	.3	.1	.5	.3	.1	0
RCR																					
0	83	83	83	83	78	78	78	78	67	67	67	58	58	58	50	50	50	46			
1	72	67	63	59	67	63	59	55	54	51	48	46	44	41	39	37	35	31			
2	64	57	51	46	60	53	48	43	45	41	37	39	35	32	32	29	27	24			
3	58	49	42	37	54	46	39	34	39	34	30	33	29	26	27	24	22	19			
4	53	43	36	30	49	40	33	28	34	29	25	29	25	21	24	21	18	15			
5	48	38	31	25	44	35	29	24	30	25	21	26	21	18	21	18	15	13			
6	44	34	27	22	41	31	25	20	27	22	18	23	19	15	19	16	13	11			
7	41	30	23	19	38	28	22	18	24	19	15	21	16	13	17	14	11	9			
8	38	27	21	16	35	26	20	15	22	17	13	19	15	12	16	12	10	8			
9	35	25	19	14	32	23	17	14	20	15	12	17	13	10	15	11	9	7			
10	33	23	17	13	30	21	16	12	18	14	11	16	12	9	13	10	8	6			

NAS-1712-1T8
Total Luminaire Optical
Efficiency = 76.1%



CANDELA DISTRIBUTION

Vert. Angle	0	22.5	45	67.5	90
0	18.9	18.9	18.9	18.9	18.9
10	13.6	41.5	46.9	37.0	12.3
20	13.4	72.2	105	80.9	13.3
30	20.5	106	99.4	107	20.4
40	20.6	92.9	83.2	93.2	21.9
50	24.8	74.9	63.3	71.6	22.9
60	26.4	51.1	42.8	53.2	25.1
70	25.1	31.2	32.2	30.5	19.0
80	11.8	17.1	21.4	17.7	11.1
90	3.23	12.2	17.3	12.3	4.57
100	68.1	43.5	49.5	45.9	65.5
110	138	121	106	110	143
120	220	202	185	209	220
130	284	301	286	301	284
140	346	384	351	377	354
150	401	408	428	440	418
160	481	469	477	451	483
170	465	516	513	508	491
180	518	518	518	518	518



— 0
- - - 45
- · - · - 90

Lamp (1) 32w T8
Lumens: 2900 Per Lamp

Optical Distribution:
60% Direct: 40% Indirect