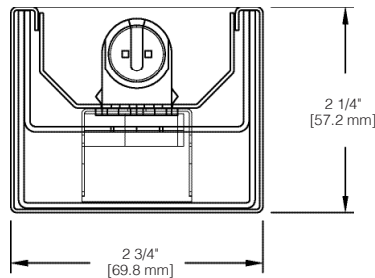
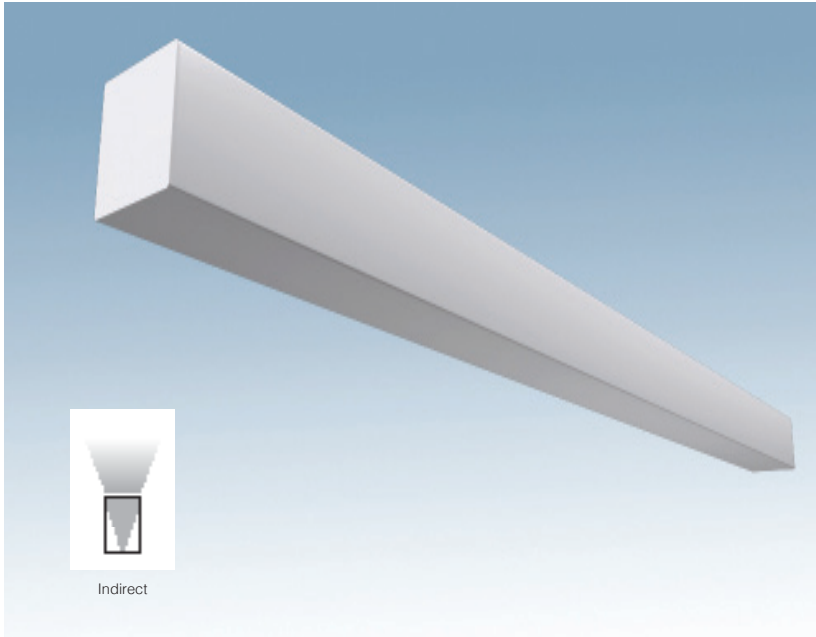




PTP Series | PTP-22-I

Fluorescent Luminaire

DATE	NOTES
PROJECT	
TYPE	



HOUSING: Die-formed, 20-gauge cold, rolled steel housing. Joiner ends are notched below the lamps for continuous appearance in row-mounted applications.

REFLECTOR: Highly reflective die-formed steel finished in baked white enamel. Consult factory for High Efficiency Optics (HEO) options.

SHIELDING: Choose from a variety of shielding options including prismatic acrylic, white opal acrylic or P95 satin acrylic.

ELECTRICAL: Ballast is electronic, low profile, universal voltage 120/277, high power factor, thermally protected, sound rated A with less than 10% total harmonic distortion. Luminaires in rows are prewired with quick connect through wiring. Integrated locking disconnects are standard. The minimum number of ballasts will be used unless otherwise specified. Please consult factory for lamp/ballast availability.

MOUNTING: Standard installation is an adjustable self-locking aircraft cable assembly 48" x 3/32" with a 5" canopy. One 16/4 SJT straight 54" cord is provided per power feed location. Standard pendants are available in 24" lengths. May also be wall mounted.

FINISH: Fixture housing and steel components are finished in baked white enamel applied over a five-stage pretreatment process.

LAMPS: Fixtures are provided for use with one T5 or T5HO lamp (supplied by others).

CERTIFICATION: Luminaires are cULus listed and Union Made in the United States of America. I.B.E.W.

Ordering Guide (choose from the lists below and specify)

MODEL	DIRECTION	SHIELDING ¹	NUMBER OF LAMPS	LAMPS	MOUNTING	ROW LENGTH	FINISH	VOLTAGE	OPTIONS ²
PTP-22									
PTP-22	I = Indirect	OPN = Open Lamp	1	T5 T5HO	AC = Cable PD = Pendant	4 = 4 ft 8 = 8 ft For other, please enter row length (e.g. 48 = 48 ft)	W = White CC = Custom Color	UNV = 120/277	DIM10 = 0-10V Dimming DIMLV = Dimming Line Voltage DIMST = Step Dimming DIMHL = Dimming Lutron PRGS = Program Rapid Start S O C = Sensor Options E P C = Emergency Pack E M C = Emergency Circuit T C W = Two Circuit Wiring H E O = High Efficiency Optics ³

¹T5HO fixtures are not supplied with shielding. Shielding is only supplied with the T5 lamping option.

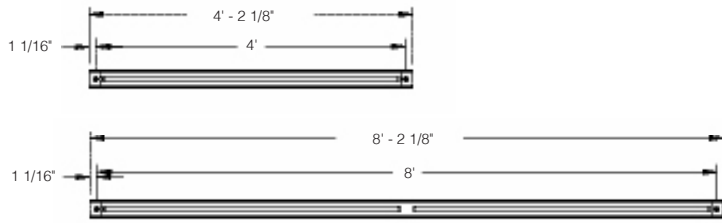
²For the complete list of all available options please visit www.dayolite.com

³Consult factory for High Efficiency Optics options (HEO).

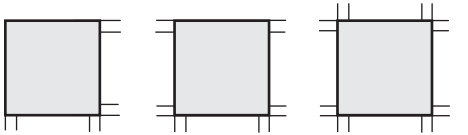
Day-O-Lite, a division of SCW Corporation. All rights reserved. The Day-O-Lite logo is a registered trademark of SCW Corporation.



Linear Sections and Suspension Location



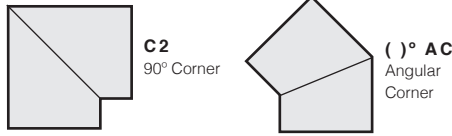
JOINERS



JB2
JB2-90° (Corner)
Joiner Box

JB3
JB3-3-Way (Tee)
Joiner Box

JB4
JB4-4-Way (Cross)
Joiner Box



CORNERS Corners and fixture extensions are custom fabricated to precise dimensions. Please indicate the specific requirements on the layout.

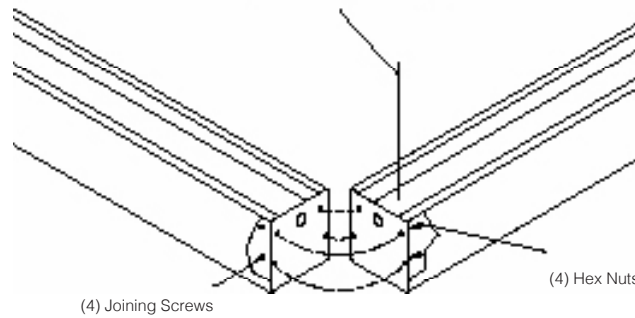
For any angular corner, ()° must be specified and dimensions must be included on the layout

For any pattern, a layout must accompany the order.

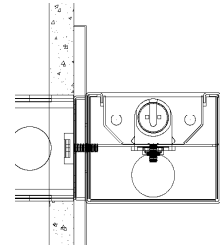
Installation Preparation

Fixtures in rows are joined with included hardware as shown. Standard installation is an adjustable self-locking aircraft assembly 48" x 3/32" in diameter with 5" canopy. One 16/4 SJT straight 54" cord is supplied with each power feed. Standard pendants are available in 24" lengths.

TYPICAL JOINT DETAIL



WALL MOUNT



Photometry

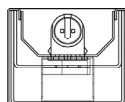
COEFFICIENTS OF UTILIZATION-ZONAL CAVITY METHOD

pfc = 0.20

pcc	.8			.7			.5			.3			.1			0		
pw	.7	.5	.3	.1	.7	.5	.3	.1	.5	.3	.1	.5	.3	.1	.5	.3	.1	0

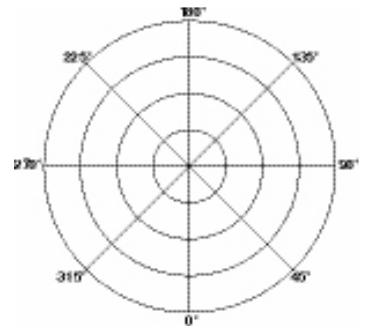
RCR	0	76	76	76	65	65	65	65	44	44	44	25	25	25	8	8	8	0
1	69	66	63	59	59	56	54	51	39	37	35	22	22	21	7	7	7	0
2	63	58	53	48	54	49	46	41	34	32	29	19	18	17	6	6	6	0
3	57	50	45	39	49	43	39	34	30	27	24	17	16	14	5	5	5	0
4	52	44	39	33	44	38	33	28	26	23	20	15	14	12	4	4	4	0
5	48	39	33	27	41	34	29	24	23	20	17	13	12	10	3	3	3	0
6	44	35	29	23	37	30	25	20	21	18	14	12	10	9	3	3	3	0
7	40	31	25	20	34	27	22	17	19	15	12	11	9	7	2	2	2	0
8	37	28	22	17	32	24	19	15	17	14	11	10	8	6	2	2	2	0
9	34	25	20	15	29	22	17	13	15	12	9	9	7	5	2	2	2	0
10	32	23	18	13	27	20	15	11	14	11	8	8	6	5	2	2	2	0

PTP-22-I-1T5HO
Total Luminaire Optical
Efficiency = 79.5%



CANDELA DISTRIBUTION

Vert. Angle	0	22.5	45	67.5	90
90	13	15	13	12	14
95	79	82	71	62	63
100	173	205	183	158	156
105	273	328	312	280	268
110	392	453	445	417	403
115	510	575	575	552	545
120	610	681	702	670	672
125	710	770	796	792	785
130	784	839	890	891	886
135	865	902	968	974	971
140	930	958	1029	1055	1063
145	983	1007	1070	1107	1123
150	1032	1064	1100	1152	1156
155	1076	1085	1119	1160	1175
160	1100	1115	1135	1157	1170
165	1136	1137	1164	1173	1162
170	1152	1155	1160	1174	1174
175	1180	1176	1165	1165	1162
180	1176	1176	1176	1176	1176



— 0
- - - 45
- · - · - 90

Lamp (1) 54w T5HO
Lumens: 5000 Per Lamp

Optical Distribution:
100% Indirect

Day-O-Lite reserves the right to change specifications without notice for product improvement.