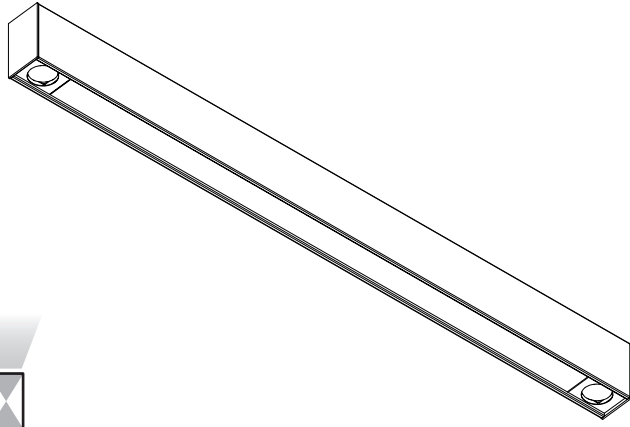


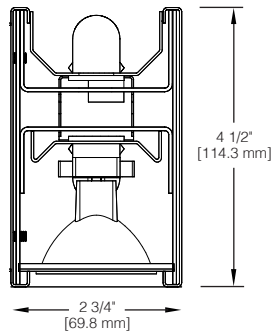


PTP Series | PTP-24A-DI (w/Accent) Fluorescent Luminaire

DATE	NOTES
PROJECT	
TYPE	



Direct/Indirect
w/MR16 Accent



HOUSING: Die-formed, 20-gauge, cold rolled steel housing. Joiner ends are notched below the lamps for continuous appearance in row-mounted applications.

REFLECTOR: Highly reflective die-formed steel finished in baked white enamel. Consult factory for High Efficiency Optics (HEO) options.

SHIELDING: Choose from a variety of shielding options including prismatic acrylic, white opal acrylic, P95 satin acrylic and solid or perforated steel cross baffles.

ELECTRICAL: Ballast is electronic, low profile, universal voltage 120/277, high power factor, thermally protected, sound rated A with less than 10% total harmonic distortion. Luminaires in rows are prewired with quick connect through wiring. Integrated locking disconnects are standard. The minimum number of ballasts will be used unless otherwise specified. Please consult factory for lamp/ballast availability.

MOUNTING: Standard installation is an adjustable self-locking aircraft cable assembly 48" x 3/32" with a 5" canopy. One 16/4 SJT straight 54" cord is provided per power feed location. Standard pendants are available in 24" lengths. May also be surface and wall mounted.

FINISH: Fixture housing and steel components are finished in baked white enamel applied over a five-stage pretreatment process.

LAMPS: Fixtures are provided for use with two T5 or T5HO lamps and LED or incandescent GU5.3 base MR16 lamps (supplied by others).

CERTIFICATION: Luminaires are cULus listed and Union Made in the United States of America. I.B.E.W.

Ordering Guide (choose from the lists below and specify)

MODEL	DIRECTION	SHIELDING ¹	NUMBER OF LAMPS	LAMPS	MOUNTING	ROW LENGTH	FINISH	VOLTAGE	OPTIONS ²
PTP-24A									
PTP-24A	DI = Direct/Indirect w/MR16 Accent	PRS = Prismatic Acrylic WOA = White Opal Acrylic P95 = Satin Acrylic SCB = Steel Cross Baffle PSCB = Perforated Steel Cross Baffle	2	T5 T5HO ¹	AC = Cable PD = Pendant S = Surface WM = Wall Mount	4 = 4 ft 8 = 8 ft For other, please enter row length (e.g. 48 = 48 ft)	W = White CC = Custom Color	UNV = 120/277	DIM10 = 0-10V Dimming DIMLV = Dimming Line Voltage DIMST = Step Dimming DIMHL = Dimming Lutron PRGS = Program Rapid Start S O C = Sensor Options E P C = Emergency Pack E M C = Emergency Circuit T C W = Two Circuit Wiring H E O = High Efficiency Optics ³

¹T5HO lamping option is not supplied with shielding on the Indirect side of the fixture.

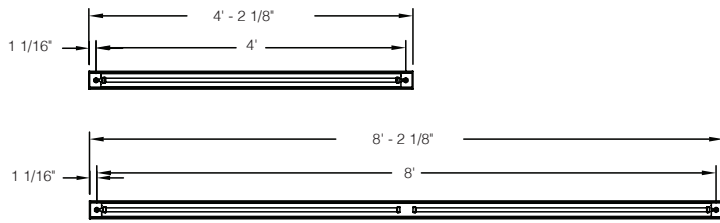
²For the complete list of all available options please visit www.dayolite.com.

³Consult factory for High Efficiency Optics options (HEO).

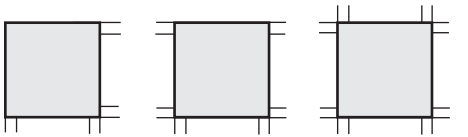
Day-O-Lite, a division of SCW Corporation. All rights reserved. The Day-O-Lite logo is a registered trademark of SCW Corporation.



Linear Sections and Suspension Location



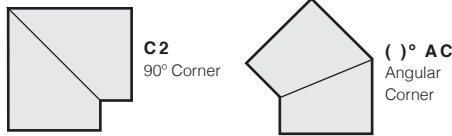
JOINERS



JB2
JB2-90° (Corner)
Joiner Box

JB3
JB3-3-Way (Tee)
Joiner Box

JB4
JB4-4-Way (Cross)
Joiner Box



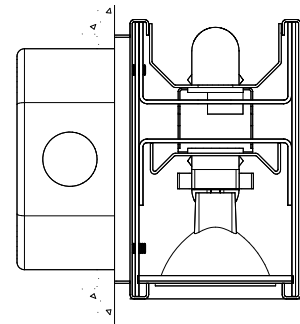
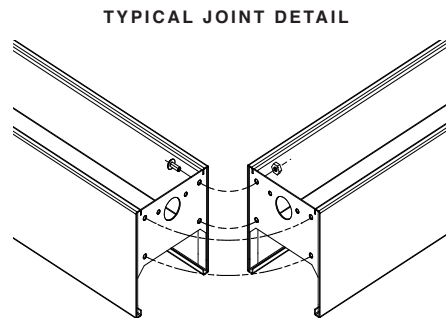
CORNERS Corners and fixture extensions are custom fabricated to precise dimensions. Please indicate the specific requirements on the layout.

For any angular corner, ()° must be specified and dimensions must be included on the layout

For any pattern, a layout must accompany the order.

Installation Preparation

Fixtures in rows are joined with included hardware as shown. Standard installation is an adjustable self-locking aircraft assembly 48" x 3/32" in diameter with 5" canopy. One 16/4 SJT straight 54" cord is supplied with each power feed. Standard pendants are available in 24" lengths. May also be wall mounted



WALL MOUNT
Provided with mounting brackets for installation on standard junction box.

Photometry*

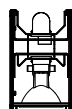
COEFFICIENTS OF UTILIZATION-ZONAL CAVITY METHOD

pfc = 0.20

pcc	.8				.7				.5				.3				.1				0
pw	.7	.5	.3	.1	.7	.5	.3	.1	.5	.3	.1	.5	.3	.1	.5	.3	.1	.5	.3	.1	0

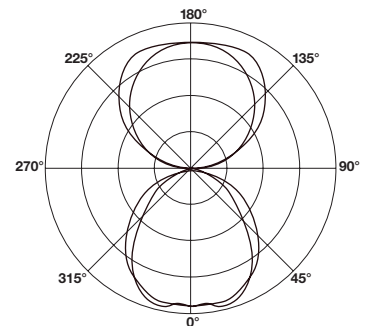
RCR	0	81	81	81	81	74	74	74	74	61	61	61	50	50	50	39	39	39	34
1	74	71	68	64	68	65	63	60	54	53	50	45	43	42	34	34	34	34	30
2	68	62	58	52	62	57	53	49	48	45	42	39	37	35	28	28	28	28	25
3	62	55	49	43	56	50	46	40	42	39	35	35	32	29	24	24	24	24	22
4	56	49	43	36	52	45	40	34	38	34	30	31	28	25	21	21	21	19	19
5	52	43	37	31	47	40	35	29	34	30	25	28	25	22	18	18	18	16	16
6	48	39	33	27	44	36	31	25	30	26	22	25	22	19	16	16	16	14	14
7	44	35	29	23	40	32	27	22	28	23	19	23	20	17	14	14	14	13	13
8	41	32	26	20	38	29	24	19	25	21	17	21	18	15	13	13	13	11	11
9	38	29	23	18	35	27	22	17	23	19	15	19	16	13	11	11	11	10	10
10	36	27	21	16	33	25	20	15	21	17	14	18	15	12	10	10	10	9	9

PTP-24A-DI-P95-2T5
Total Luminaire Optical
Efficiency = 75.9%



CANDELA DISTRIBUTION

Vert. Angle	0	22.5	45	67.5	90
0	774	774	774	774	774
10	769	771	774	781	789
20	739	744	763	769	772
30	679	691	700	690	680
40	582	596	576	523	500
50	456	456	398	342	329
60	337	321	260	235	230
70	190	172	144	131	128
80	28	28	25	23	22
90	3	4	4	4	3
100	101	123	108	98	95
110	237	269	264	254	250
120	351	402	409	406	408
130	454	507	528	537	537
140	545	583	626	633	635
150	620	642	682	701	709
160	672	676	705	721	725
170	702	704	703	716	718
180	714	714	714	714	714



— 0
- - - 45
... 90

Lamp (2) 28w T5
Lumens: 2900 Per Lamp
Optical Distribution:
45% Direct: 55% Indirect

*Figures do not include MR16 lamps (supplied by others).

Day-O-Lite reserves the right to change specifications without notice for product improvement.