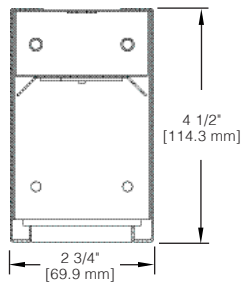
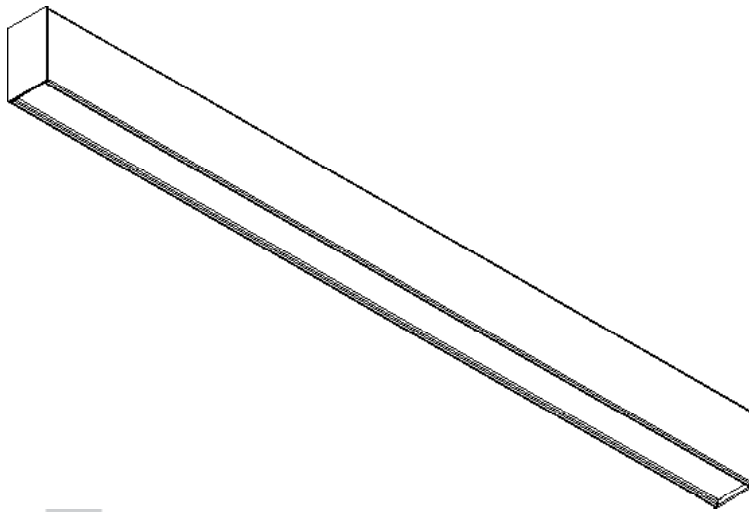




PTP Series | PTPL-24-D
LED Luminaire

DATE	NOTES
PROJECT	
TYPE	



HOUSING: Die-formed, 20-gauge, cold rolled steel housing. Joiner ends are notched for continuous appearance in row-mounted applications.

REFLECTOR: Highly reflective die-formed steel finished in baked white enamel.

SHIELDING: LED optimized Satin Ice acrylic is standard.

LEDS: LED modules in 30/35/40 & 50K CCT, 80+ CRI (90 CRI available). Lumen maintenance minimum $L_{70} = 50,000$ hours @ 25 C° ambient temperature. 3 SDCM color consistency. Zhaga™ compliant (Book 7).

ELECTRICAL: Class 2 AOC electronic driver, 120/277V input, PF > 90%, THD < 20 @ 120V. 0-10V dimming to 5%. -20C to +50C operating range. <24dB Class A sound rating.

MOUNTING: Standard options include adjustable self-locking aircraft cables (AC), and rigid pendant stems (PD). AC assembly is 48" x 3/32" with a 5" canopy, and a 16/4 SJT straight 54" cord per power feed location.

FINISH: Fixture housing and steel components are finished in baked white enamel applied over a five-stage pretreatment process. Canopies and pendant stems are white enamel unless otherwise specified.

CERTIFICATION: Luminaires are cETLus listed conforming to UL STD. 1598 and certified to CSA STD C22.2 NO. 250.0. Suitable for damp locations. Union Made in the United States of America. I.B.E.W. RoHS compliant.

Ordering Guide (choose from the lists below and specify)

MODEL	STYLE	DISTRIBUTION	SHIELDING	COLOR TEMP (CCT)	DELIVERED LUMENS ¹	NOMINAL SIZE	MOUNTING	FINISH	OPTIONS
PTPL	24	D	SI						
PTPL	24	D = Direct	SI = Satin Ice Acrylic	30 = 3000K 35 = 3500K 40 = 4000K 50 = 5000K 80CRI standard. Consult factory for 90CRI	LO = 560/ft (6W/ft, 100LPW) SO = 750/ft (8W/ft, 95LPW) Consult factory for additional lumen packages. All values are nominal.	2 = 2 ft 4 = 4 ft 6 = 6 ft 8 = 8 ft For other enter row length (e.g. 48 = 48 ft) See page 2 for actual fixture lengths.	AC = Cable PD = Pendant G = Grid MG = Mini Grid SG = Slot Grid F = Flanged (recessed) TRL = Trimless S = Surface WM = Wall Mount	W = White CC = Custom Color	DIM10 = 0-10V 1% Dimming DIMST = 0-10V Step Dimming DAY = Daylight Sensor OCC = OccupancySensor EPC5 = 5W Emergency Pack EMC = Emergency Circuit See page 2 for complete list of LED options including Lutron™ and other dimming options.

¹Delivered Lumens are Standard Output (SO) and Low Output (LO) at 80+CRI 4000K CCT with LED optimized Satin Ice Acrylic lens (SI). Use the following multiplier to estimate delivered lumens at other CCTs: 3000K = 0.96, 3500K = 0.98, 5000K = 1.02. Consult factory for 90CRI performance. See www.dayolite.com for the list of all Standard Options.



All LED Options

0-10V DIMMING¹ DRIVERS

DIM10 = 0-10V (5.0%)¹
 DIMSR = 0-10V (5.0%) Sensor Ready²
 DIM101 = 0-10V (1.0%)
 DIM100 = 0-10V (0.1%) Fade-to-Off
 DIMST = Step Dimming (100%/40%)
 DALI = Digital Addressable Lighting Interface

LUTRONTM DIMMING DRIVERS

LDE1 = Hi-LumeTM 1%-H EcoSystem^{TM3}
 LDE5 = 5-Series 5% EcoSystemTM
 L3DAE = Hi-LumeTM 1% EcoSystemTM
 L3DA3W = Hi-LumeTM 1% 3-Wire
 LTEA2W = Hi-LumeTM 1% 2-Wire FFC⁴

LUTRONTM WIRELESS MODULES

FCJECO = EcoSystemTM Wireless RF
 Fixture Module for EcoSystemTM LED drivers.
 FCJ010 = EcoSystemTM Wireless RF
 Fixture Module for 0-10V products by others.

EMERGENCY BATTERY PACK (EPC)⁵ & WIRING OPTIONS

EPC5 = (5W) 475 Delivered Lumens
 EPC7 = (7W) 665 Delivered Lumens
 EPC10 = (10W) 950 Delivered Lumens
 EPC12 = (12W) 1140 Delivered Lumens
 GTD = Generator Transfer Device
 EMC = Emergency Circuit

SENSOR⁶ OPTIONS

DAY = Daylight Harvesting Sensor
 OCC = Occupancy Sensor
 DOC = Daylight/Occupancy Sensor

ADDITIONAL OPTIONS

TWC = Two Circuit Wiring
 CHP = Chicago Plenum Application
 FFH = Fuse/Fuse Holder
 FWH = Flexible Wiring Harness
 RIF = Radio Interference Filter

OPTIONS NOTES:

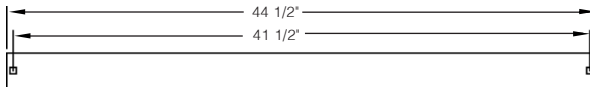
¹All Day-O-Lite LED luminaires are 0-10V 5% capable. Select the DIM10 option if prewiring for 5% dimming is desired and Day-O-Lite will supply purple/gray wires. All other dimming options are automatically prewired.
²PhilipsTM XitaniumTM Sensor Ready LED driver. Consult factory for compatible sensors and control systems.
³Hi-Lume 1%-H EcoSystem with Soft-On, Fade-to-BlackTM
⁴120V Forward Phase Control only.
⁵Delivered emergency lumens for SI lens option only. For other lens options multiply specific fixture LPW (below) by EPC wattage.
⁶Not all fixtures accept integral sensors. Contact factory for sensor integration specifics and for all sensor options.

For more information on LutronTM LED drivers and controls please visit www.lutron.com.

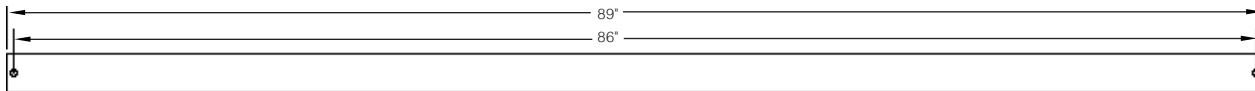
Day-O-Lite is a Lutron Advantage OEM Program Partner. Lutron drivers are backed by a 10 year warranty.



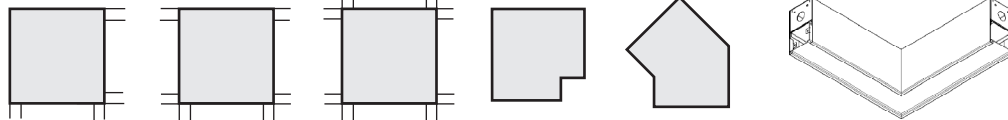
Linear Sections and Suspension Location



Dimensions shown are for suspended, wall and surface mount configurations. Grid Ceiling lengths are 48" and 96" Grid O.C. unless otherwise specified. Illuminated Grid Ceiling length may be shorter than overall fixture length. Consult factory for dimensions and options.



JOINERS



JB2
JB2-90° (Corner) Joiner Box

JB3
JB3-3-Way (Tee) Joiner Box

JB4
JB4-4-Way (Cross) Joiner Box

C2
90° Corner

()° AC
Angular Corner

ILC
Fully Illuminated 90° Corner

CORNERS Corners and fixture extensions are custom fabricated to precise dimensions. Please indicate the specific requirements on the layout.

For any angular corner, ()° must be specified and dimensions must be included on the layout

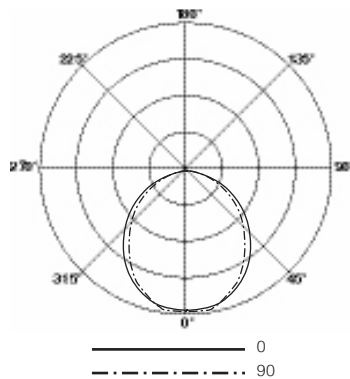
For any pattern, a layout must accompany the order.

Photometry

PTPL-24-D-SI-40-SO-4

CANDELA DISTRIBUTION

Vert. Angle	0	22.5	45	67.5	90
0	1171	1171	1171	1171	1171
5	1170	1182	1190	1181	1181
10	1159	1171	1165	1150	1185
15	1136	1129	1144	1144	1128
20	1097	1091	1073	1078	1073
25	1046	1039	1031	1010	1016
30	986	984	955	942	926
35	903	904	879	858	848
40	839	826	801	776	760
45	762	742	719	688	680
50	667	655	627	596	589
55	571	562	535	507	498
60	474	463	438	418	399
65	374	360	346	326	323
70	278	271	252	237	240
75	187	178	167	159	155
80	103	102	97	93	91
85	42	42	41	40	41
90	10	14	14	13	14



4000K CCT
 WATTS: 32
 LUMENS: 3058
 LPW = 95

Optical Distribution:
 100% Direct

For complete photometrics and .IES files please visit the PTPL-24-D page at www.dayolite.com