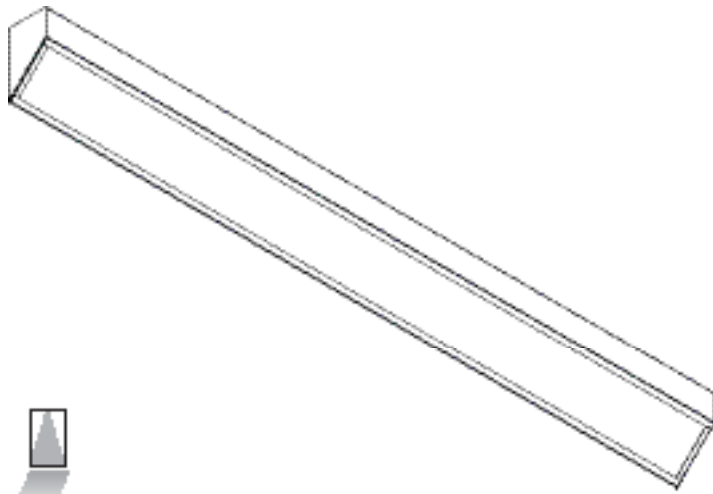
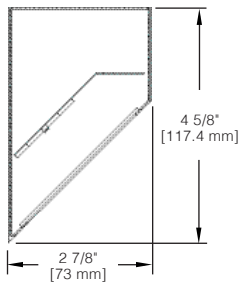




PTP Series | PTPL-24-DA Wall Wash LED Luminaire



Direct Asymmetric



DATE	NOTES
PROJECT	
TYPE	

HOUSING: Die-formed, 20-gauge, cold rolled steel housing. Joiner ends are notched for continuous appearance in row-mounted applications.

REFLECTOR: Highly reflective die-formed steel finished in baked white enamel.

SHIELDING: Satin Ice acrylic is standard. Consult factory for additional options.

LEDS: LED modules¹ in 27/30/35/40 & 50K CCT, 80 CRI (90CRI available). Lumen maintenance minimum $L_{70} = 50,000$ hours. 3 SDCM color consistency. Zhaga™ compliant (Book 7). Field replaceable.

ELECTRICAL: Pre-wired Class 2 AOC electronic driver, 120/277V input, PF > 90%, THD < 20 @ 120V. 0-10V dimming to 1%. -20C to +50C operating range. <24dB Class A sound rating.

MOUNTING: Standard options include adjustable self-locking aircraft cables (AC), and rigid pendant stems (PD). AC assembly is 48" x 1/16" with a 5" canopy, and a 16/4 SJT straight 54" cord per power feed location. Additional options available⁴.

FINISH: Aluminum fixture housing and steel components are finished in baked white enamel applied over a five-stage pretreatment process. Canopies and pendant stems are white enamel unless otherwise specified.

CERTIFICATION: Luminaires are cETLus listed conforming to UL STD. 1598 and certified to CSA STD C22.2 NO. 250.0. Suitable for dry & damp locations. Union Made in the United States of America. I.B.E.W. RoHS compliant.

Ordering Guide (choose from the lists below and specify)

MODEL	STYLE	DISTRIB.	SHIELDING	COLOR TEMP (CCT) ¹	DELIVERED LUMENS ²	NOMINAL SIZE ³	MOUNTING ⁴	FINISH	VOLTAGE	OPTIONS ⁵
PTPL	24	DA	SI						U	
PTPL	24	DA = Direct Asymmetric Wall Wash	SI = Satin Ice Acrylic	30 = 3000K 35 = 3500K 40 = 4000K 50 = 5000K (80CRI standard. 90CRI optional).	LO = 500/ft (6W/ft, 92LPW) SO = 700/ft (8W/ft, 88LPW) Consult factory for additional lumen packages.	4 = 4 ft 6 = 6 ft 8 = 8 ft For other enter row length (e.g. 48 = 48 ft)	AC = Cable PD = Pendant S = Surface	W = White CC = Custom Color	Universal 120/277V	DIM10 = 0-10V 1% Dimming DIMSR = 0-10V Sensor Ready ESN = Philips™ EasySense Wireless Daylight & Occupany Sensor. See note 6, page 2. EPC5 = 5W Emergency Pack E M C = Emergency Circuit Lutron™ (all options page 2)

¹80CRI standard, 90CRI available. LM-80 data available on request. Consult factory for 2700K CCT, HO lumen packages, tunable white light and RGB/W color changing options.

²Delivered Lumens are Standard Output (SO) and Low Output (LO) at 80+CRI 4000K CCT with LED optimized Satin Ice Acrylic lens (SI). Use the following multiplier to estimate delivered lumens at other CCTs: 2700K = 0.94, 3000K = 0.96, 3500K = 0.98, 5000K = 1.02. All values nominal.

³See page 2 for actual fixture lengths and suspension locations.

⁴For additional suspension mounting options and recessed options see www.dayolite.com.

⁵See page 2 for the complete list of LED options including Lutron™, emergency battery back-up (EPC) and other driver/control options.

Day-O-Lite, a division of SCW Corporation. All rights reserved. The Day-O-Lite logo is a registered trademark of SCW Corporation. Day-O-Lite reserves the right to change specifications without notice for product improvement.



LED Options

0-10V DIMMING DRIVERS

DIM10 = 0-10V (1.0%)¹
 DIMSR = 0-10V (5.0%) Sensor Ready²
 DIM100 = 0-10V (0.1%) Fade-to-Off
 DIMST = Step Dimming (40%/100%)
 DALI = Digital Addressable Lighting Interface

LUTRON™ DIMMING DRIVERS

LDE1 = Hi-Lume™ 1%-H EcoSystem™³
 LDE5 = 5-Series 5% EcoSystem™
 L3DAE = Hi-Lume™ 1% EcoSystem™
 L3DA3W = Hi-Lume™ 1% 3-Wire
 LTEA2W = Hi-Lume™ 1% 2-Wire FFC⁴

LUTRON™ WIRELESS MODULES

FCJECO = EcoSystem™ Wireless RF
 Fixture Module for EcoSystem™ LED drivers.
 FCJ010 = EcoSystem™ Wireless RF
 Fixture Module for 0-10V products by others.

EMERGENCY BATTERY PACK (EPC)⁵ & WIRING OPTIONS

EPC5 = (5W) 440 Delivered Lumens
 EPC7 = (7W) 620 Delivered Lumens
 EPC10 = (10W) 880 Delivered Lumens
 EPC12 = (12W) 1050 Delivered Lumens
 GTD = Generator Transfer Device
 EMC = Emergency Circuit

SENSOR⁶ OPTIONS

ESN = Philips™ EasySense
 DAY = Daylight Harvesting Sensor
 OCC = Occupancy Sensor

ADDITIONAL OPTIONS

9CR = 90 Color Rendering Index
 TWH = Tunable White LED⁷
 RGB/W = Dynamic Color Changing⁷

OPTIONS NOTES:

- ¹Standard 0-10V 1% with linear dimming curve. Add "LOG" to option code for 0-10V 1% logarithmic dimming curve.
- ²Philips™ Xitanium™ Sensor driver for use w/integrated wireless sensors including Philips™ EasySense™, Enlighted™, EnOcean™, Digital Lumens™ and others.
- ³Hi-Lume 1%-H EcoSystem™ with Soft-On, Fade-to-Black™ dimming.
- ⁴120V two-wire forward phase control only.
- ⁵Delivered emergency lumens for SI lens option only. For other lens options multiply specific fixture LPW (below) by EPC wattage.
- ⁶Philips EasySense wireless daylight/occupancy sensor for use with Philips Sensor Ready (SR) drivers. Programmable by smartphone with free software from www.philips.com. Contact factory for details.
- ⁷Tunable White light and RGB/W dynamic color changing options available. Contact Day-O-Lite for details.

Day-O-Lite is a Lutron™ Advantage OEM Program Partner. Lutron drivers are backed by a 10 year warranty. For more information on Lutron LED drivers and controls please visit www.lutron.com.



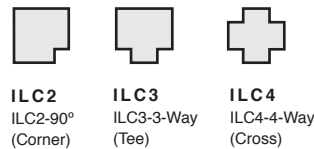
Linear Sections and Suspension Location

NOMINAL LENGTH	ACTUAL LENGTH	SUSP. 1 O.C.	SUSP. 2 O.C.	SUSP. 3 O.C.
4'	44 1/2"	41 1/2"		
6'	66 3/4"	63 3/4"		
8'	89"	86"		
12'	133 1/2"	86"	44 1/2"	
16'	178"	86"	89"	
20'	222 1/2"	86"	89"	44 1/2"

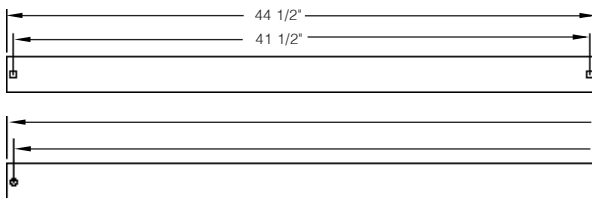
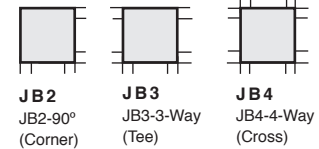
DIMENSIONS shown are for suspended and surface mount configurations. Fixtures are continuously illuminated along entire length. Rows are continuously illuminated and joined with included aligner brackets and hardware.

CORNERS & JOINERS are custom fabricated to precise dimensions. Please indicate the specific requirements on the layout. For any angular corner, (°) must be specified and dimensions must be included on the layout.

CORNERS (Illuminated)



JOINER BOXES (unIlluminated)

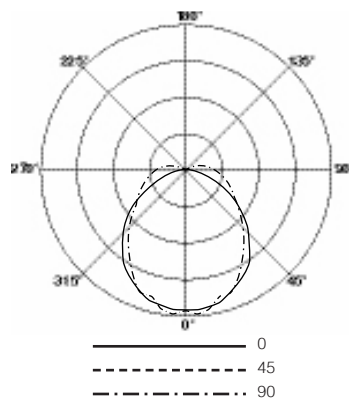


Photometry

CANDELA DISTRIBUTION

Vert. Angle	0	22.5	45	67.5	90
0	937	937	937	937	937
10	923	926	956	934	941
20	871	867	868	865	874
30	788	776	764	740	739
40	663	650	630	601	597
50	515	501	479	469	465
60	353	350	358	371	377
70	201	223	269	300	312
75	130	169	233	269	277
80	75	127	197	238	246
90	13	63	128	172	190
100	0	20	70	108	121
110	0	2	25	54	63
120	0	0	2	14	21
130	0	0	0	0	0
140	0	0	0	0	0
150	0	0	0	0	0
160	0	0	0	0	0
170	0	0	0	0	0
180	0	0	0	0	0

PTPL-24-DA-D-SI-40-SO-4



4000K CCT
 WATTS: 32
 LUMENS: 2824
 LPW: 88
 Optical Distribution:
 95% Direct: 5% Indirect

For complete photometrics and .IES files please visit the PTPL-24-DA page at www.dayolite.com