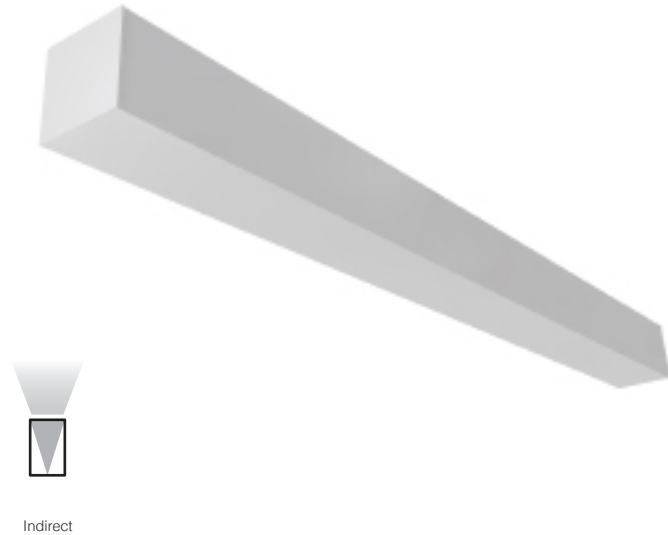


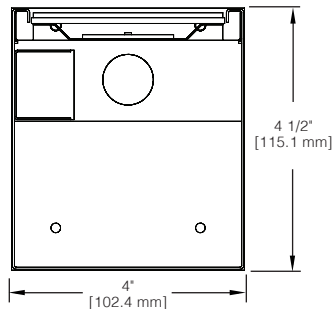


# PTP Series | PTPL-44-I

## LED Luminaire



Indirect



DATE	NOTES
PROJECT	
TYPE	

**HOUSING:** Die-formed, 20-gauge, cold rolled steel housing. Joiner ends are notched for continuous appearance in row-mounted applications.

**REFLECTOR:** Highly reflective die-formed steel finished in baked white enamel.

**SHIELDING:** Satin Ice acrylic is standard. Consult factory for additional options.

**LEDS:** LED modules<sup>1</sup> in 27/30/35/40 & 50K CCT, 80 CRI (90CRI available). Lumen maintenance minimum L<sub>70</sub> = 50,000 hours. 3 SDCM color consistency. Zhaga™ compliant (Book 7) FR4 modules.

**ELECTRICAL:** Class 2 AOC electronic driver, 120/277V input, PF > 90%, THD < 20 @ 120V. 0-10V dimming to 5%. -20C to +50C operating range. <24dB Class A sound rating.

**MOUNTING:** Standard options include adjustable self-locking aircraft cables (AC), and rigid pendant stems (PD). AC assembly is 48" x 3/32" with a 5" canopy, and a 16/4 SJT straight 54" cord per power feed location. Additional options available<sup>4</sup>.

**FINISH:** Fixture housing and steel components are finished in baked white enamel applied over a five-stage pretreatment process. Canopies and pendant stems are white enamel unless otherwise specified.

**CERTIFICATION:** Luminaires are cETLus listed conforming to UL STD. 1598 and certified to CSA STD C22.2 NO. 250.0. Suitable for damp locations. Union Made in the United States of America. I.B.E.W. RoHS compliant.

### Ordering Guide (choose from the lists below and specify)

MODEL	STYLE	DISTRIB.	SHIELDING	COLOR TEMP (CCT) <sup>1</sup>	DELIVERED LUMENS <sup>2</sup>	NOMINAL SIZE <sup>3</sup>	MOUNTING <sup>4</sup>	FINISH	VOLTAGE	OPTIONS <sup>5</sup>
<b>PTPL</b>	<b>44</b>	<b>I</b>							<b>U</b>	
PTPL	44	I = Indirect	SI = Satin Ice Acrylic	27 = 2700K 30 = 3000K 35 = 3500K 40 = 4000K 50 = 5000K (80CRI) <sup>1</sup>	LO = 630/ft (6W/ft., 105LPW) SO = 850/ft (8W/ft., 105LPW) Consult factory for additional lumen packages.	4 = 4 ft 6 = 6 ft 8 = 8 ft For other enter row length (e.g. 48 = 48 ft)	AC = Cable PD = Pendant WM = Wall Mount	W = White CC = Custom Color	Universal 120/277	DIM10 = 0-10V 5% Dimming DIM101 = 0-10V 1% Dimming DIMST = 0-10V Step Dimming DAY = Daylight Sensor OCC = Occupancy Sensor EPC5 = 5W Emergency Pack EMC = Emergency Circuit

<sup>1</sup>80CRI standard, 90CRI available. LM-80 data available on request. Consult factory for tunable white and RGB/W color changing options.

<sup>2</sup>Delivered Lumens are Standard Output (SO) and Low Output (LO) at 80+CRI 4000K CCT with LED optimized Satin Ice Acrylic lens (SI). Use the following multiplier to estimate delivered lumens at other CCTs: 2700K = 0.94, 3000K = 0.96, 3500K = 0.98, 5000K = 1.02. All values nominal.

<sup>3</sup>See page 2 for actual fixture lengths and suspension locations.

<sup>4</sup>For additional suspension mounting options and recessed options see [www.dayolite.com](http://www.dayolite.com).

<sup>5</sup>See page 2 for the complete list of LED options including Lutron™, emergency battery back-up (EPC) and other driver/control options.

Day-O-Lite, a division of SCW Corporation. All rights reserved. The Day-O-Lite logo is a registered trademark of SCW Corporation. Day-O-Lite reserves the right to change specifications without notice for product improvement.



## LED Options

### 0-10V DIMMING DRIVERS

DIM10 = 0-10V (5.0%)  
 DIMSR = 0-10V (5.0%) Sensor Ready<sup>1</sup>  
 DIM101 = 0-10V (1.0%)  
 DIM100 = 0-10V (0.1%) Fade-to-Off  
 DIMST = Step Dimming (40%/100%)  
 DALI = Digital Addressable Lighting Interface

### LUTRON™ DIMMING DRIVERS

LDE1 = Hi-Lume™ 1%-H EcoSystem™<sup>2</sup>  
 LDE5 = 5-Series 5% EcoSystem™  
 L3DAE = Hi-Lume™ 1% EcoSystem™  
 L3DA3W = Hi-Lume™ 1% 3-Wire  
 LTEA2W = Hi-Lume™ 1% 2-Wire FFC<sup>3</sup>

### LUTRON™ WIRELESS MODULES

FCJECO = EcoSystem™ Wireless RF  
 Fixture Module for EcoSystem™ LED drivers.  
 FCJ010 = EcoSystem™ Wireless RF  
 Fixture Module for 0-10V products by others.

### EMERGENCY BATTERY PACK (EPC)<sup>4</sup> & WIRING OPTIONS

EPC5 = (5W) 525 Delivered Lumens  
 EPC7 = (7W) 735 Delivered Lumens  
 EPC10 = (10W) 1050 Delivered Lumens  
 EPC12 = (12W) 1260 Delivered Lumens  
 GTD = Generator Transfer Device  
 EMC = Emergency Circuit

### SENSOR<sup>5</sup> OPTIONS

DAY = Daylight Harvesting Sensor  
 OCC = Occupancy Sensor  
 DOC = Daylight/Occupancy Sensor

### ADDITIONAL OPTIONS

TWC = Two Circuit Wiring  
 CHP = Chicago Plenum Application  
 FFH = Fuse/Fuse Holder  
 FWH = Flexible Wiring Harness  
 RIF = Radio Interference Filter

### OPTIONS NOTES:

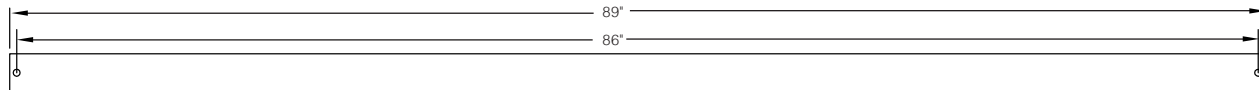
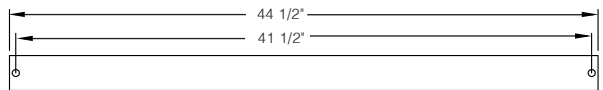
<sup>1</sup>Philips™ Xitanium™ Sensor Ready LED driver for use with integrated wireless sensors including Philips™ EasySense™ and Enlighted™.  
<sup>2</sup>Hi-Lume 1%-H EcoSystem™ with Soft-On, Fade-to-Black™ dimming.  
<sup>3</sup>120V two-wire forward phase control only.  
<sup>4</sup>Delivered emergency lumens for SI lens option only. For other lens options multiply specific fixture LPW (below) by EPC wattage.  
<sup>5</sup>Consult factory for sensor and fixture integration details.

Day-O-Lite is a Lutron Advantage OEM Program Partner. Lutron drivers are backed by a 10 year warranty. For more information on Lutron™ LED drivers and controls please visit [www.lutron.com](http://www.lutron.com).



## Linear Sections and Suspension Location

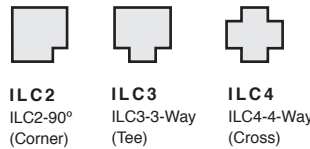
NOMINAL LENGTH	ACTUAL LENGTH	SUSP. 1 O.C.	SUSP. 2 O.C.	SUSP. 3 O.C.	WALL BRKTS.	WALL O.C.
4'	44 1/2"	41 1/2"			2	34 1/2"
6'	66 3/4"	63 3/4"			3	28 3/8"
8'	89"	86"			3	39 1/2"
12'	133 1/2"	86"	44 1/2"			
16'	178"	86"	89"			
20'	222 1/2"	86"	89"	44 1/2"		



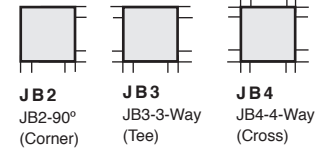
**DIMENSIONS** shown are for suspended, wall and surface mount configurations. Dimensions shown are continuously illuminated along entire length. Consult factory for complete illumination of other lengths.

**CORNERS & JOINERS** are custom fabricated to precise dimensions. Please indicate the specific requirements on the layout. For any angular corner, (°) must be specified and dimensions must be included on the layout.

### CORNERS (Illuminated)



### JOINER BOXES (unIlluminated)

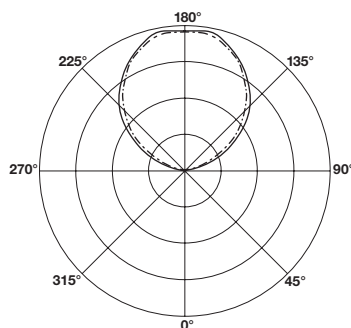


## Photometry

### CANDELA DISTRIBUTION

Vert. Angle	0	22.5	45	67.5	90
90	10	1	0	0	0
95	47	33	13	6	4
100	118	105	78	53	44
105	205	196	172	142	128
110	313	297	273	246	233
115	424	411	382	357	348
120	537	525	494	474	463
125	649	627	602	577	567
130	747	738	707	689	682
135	857	829	819	794	786
140	932	920	903	889	886
145	1018	1001	984	977	955
150	1080	1077	1068	1049	1055
155	1141	1146	1130	1119	1130
160	1201	1193	1192	1187	1178
165	1270	1242	1236	1240	1240
170	1298	1270	1267	1295	1270
175	1280	1270	1295	1296	1268
180	1279	1279	1279	1279	1279

PTPL-44-I-SI-40-SO-4



0  
 90  
 4000K  
 WATTS: 32  
 LUMENS: 3371  
 LPW = 105  
 Optical Distribution:  
 100% Indirect

For complete photometrics and .IES files please visit the PTPL-44-I page at [www.dayolite.com](http://www.dayolite.com)