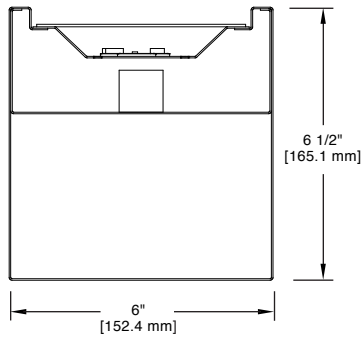
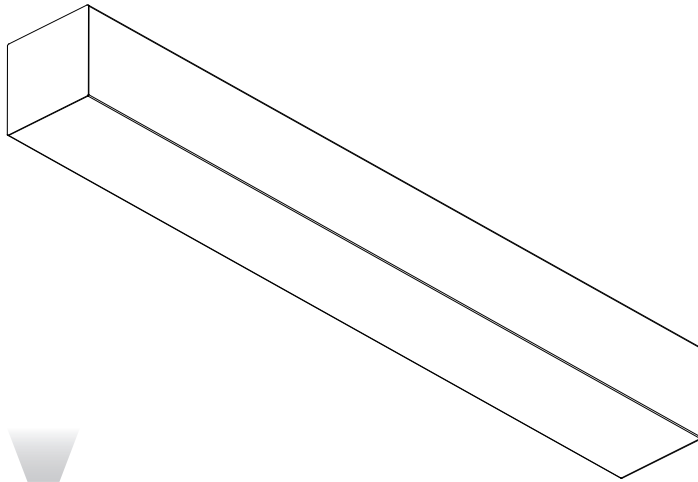




PTP Series | PTPL-66-I

LED Luminaire

DATE	NOTES
PROJECT	
TYPE	



HOUSING: Die-formed, 20-gauge, cold rolled steel housing. Joiner ends are notched for continuous appearance in row-mounted applications.

REFLECTOR: Highly reflective die-formed steel finished in baked white enamel.

SHIELDING: Clear acrylic dust covers are standard. Diffuse Polycarbonate and white acrylic are also available.

LEDS: Mid-powered LED arrays in 30/35/40 & 50K CCT, 80+ CRI. L70 = 50,000 hours @ 25 C° ambient temperature.

ELECTRICAL: Class 2 driver, 120/277v input, PF > 90%, THD < 20 @ 120v. A variety of dimming, emergency battery back-up and sensor options are available. See below.

MOUNTING: Standard installation is an adjustable self-locking aircraft cable assembly 48" x 3/32" with a 5" canopy. One 16/4 SJT straight 54" cord is provided per power feed location. Standard pendants are available in 24" lengths.

FINISH: Fixture housing and steel components are finished in baked white enamel applied over a five-stage pretreatment process.

CERTIFICATION: Luminaires are cETLus listed conforming to UL STD. 1598 and certified to CSA STD C22.2 NO. 250.0. Union Made in the United States of America. I.B.E.W.

Ordering Guide (choose from the lists below and specify)

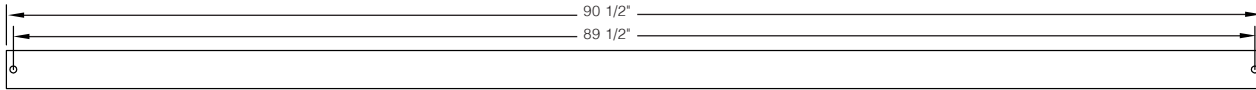
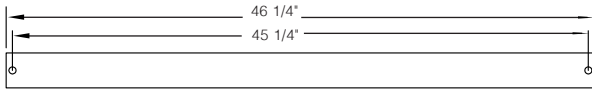
MODEL	STYLE	DISTRIBUTION	SHIELDING	COLOR TEMP	LUMENS	SIZE	MOUNTING	FINISH	VOLTAGE	OPTIONS*
PTPL										
PTPL	66	I = Indirect	DCS = Dust Cover (clear) DP = Diffuse Polycarbonate	30 = 3000K 35 = 3500K 40 = 4000K 50 = 5000K	LO = 750/ft SO = 1000/ft Consult factory for additional lumen packages and High Efficiency Optics.	2 = 2 ft 3 = 3 ft 4 = 4 ft 5 = 5 ft 6 = 6 ft 7 = 7 ft 8 = 8 ft For other enter row length (e.g. 48 = 48 ft)	AC = Cable PD = Pendant WM = Wall Mount	W = White CC = Custom Color	U = 120/277 12 = 120V 27 = 277V	DIM10 = 0-10V Dimming DIMST = Step Dimming DIMHL = Dimming Lutron DALI = DALI Dimming DAY = Daylight Sensor OCC = Occupancy Sensor EPC = Emergency Pack EMC = Emergency Circuit TCW = Two Circuit Wiring

*For the complete list of all available options please visit www.dayolite.com

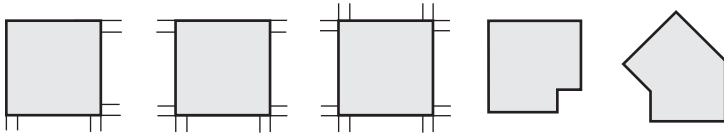
Day-O-Lite, a division of SCW Corporation. All rights reserved. The Day-O-Lite logo is a registered trademark of SCW Corporation. Day-O-Lite reserves the right to change specifications without notice for product improvement.



Linear Sections and Suspension Location



JOINERS



- JB2**
JB2-90° (Corner) Joiner Box
- JB3**
JB3-3-Way (Tee) Joiner Box
- JB4**
JB4-4-Way (Cross) Joiner Box
- C2**
90° Corner
- ()° AC**
Angular Corner

CORNERS Corners and fixture extensions are custom fabricated to precise dimensions. Please indicate the specific requirements on the layout.

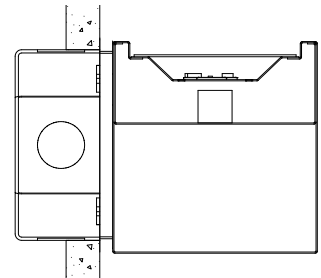
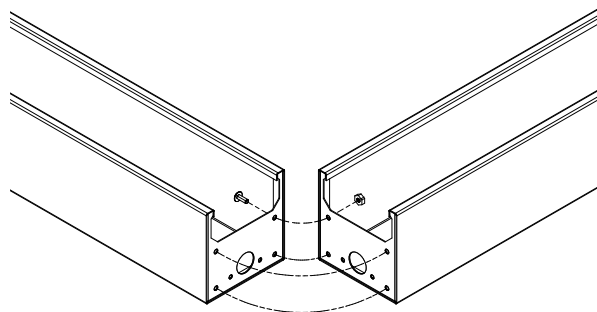
For any angular corner, ()° must be specified and dimensions must be included on the layout

For any pattern, a layout must accompany the order.

Installation Preparation

Fixtures in rows are joined with included hardware as shown. Standard installation is an adjustable self-locking aircraft assembly 48" x 3/32" in diameter with 5" canopy. One 16/4 SJT straight 54" cord is supplied with each power feed. Standard pendants are available in 24" lengths. May also be wall mounted.

TYPICAL JOINT DETAIL



WALL MOUNT
Provided with mounting brackets for installation on standard junction box.

Photometry

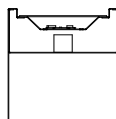
COEFFICIENTS OF UTILIZATION-ZONAL CAVITY METHOD

pfc = 0.20

pcc	.8			.7			.5			.3			.1			0		
pw	.7	.5	.3	.1	.7	.5	.3	.1	.5	.3	.1	.5	.3	.1	.5	.3	.1	0

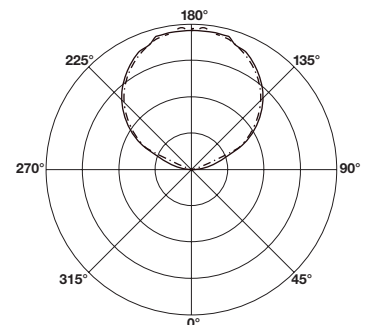
RCR	0	90	90	90	90	77	77	77	77	53	53	53	30	30	30	10	10	10	0
1	82	78	75	70	70	67	64	61	46	44	42	26	26	25	8	8	8	0	
2	75	68	63	57	64	59	54	49	40	38	34	23	22	20	7	7	7	0	
3	68	60	54	46	58	51	46	40	35	32	28	20	19	17	6	6	6	0	
4	62	53	46	39	53	45	40	34	31	28	24	18	16	14	5	5	5	0	
5	57	47	40	32	48	40	34	28	28	24	20	16	14	12	4	4	4	0	
6	52	41	34	27	44	36	30	24	25	21	17	14	12	10	3	3	3	0	
7	48	37	30	23	41	32	26	20	22	18	15	13	11	9	3	3	3	0	
8	44	33	27	20	37	29	23	18	20	16	13	12	10	8	2	2	2	0	
9	41	30	24	17	35	26	20	15	18	14	11	10	8	7	2	2	2	0	
10	38	27	21	15	32	24	18	13	16	13	10	10	8	6	2	2	2	0	

PTPL-66-I-DCS-40-SO-4



CANDELA DISTRIBUTION

Vert. Angle	0	22.5	45	67.5	90
95	35	19	16	14	14
100	134	102	35	33	31
105	266	261	126	52	49
110	408	408	392	196	87
115	554	552	545	539	529
120	702	701	681	674	670
125	839	825	809	797	796
130	953	937	931	915	920
135	1054	1045	1026	1020	1019
140	1143	1140	1128	1115	1115
145	1226	1221	1207	1199	1191
150	1282	1292	1276	1272	1260
155	1349	1352	1340	1332	1337
160	1367	1383	1398	1390	1383
165	1443	1427	1431	1424	1423
170	1451	1449	1441	1462	1444
175	1463	1457	1440	1460	1496
180	1467	1467	1467	1467	1467



0
90

4000K
WATTS: 38
LUMENS: 4155
LPW = 109

Optical Distribution:
100% Indirect