

## Driver & Ballast Options

**EPC:** Standard Emergency Battery Pack.  
LED = 5W\*. Fluorescent = (350-500L) T8,  
(450-520L) T5, (390-700L) T5HO lumens

**EPCHP:** High Output Emergency Battery Pack.  
LED = 10W\*. Fluorescent = 1100-1400L  
Emergency Battery Pack

**EPCST:** Self-Test Emergency Battery Pack

**EMC:** Emergency Circuit

**GTD:** Generator Transfer Device

**PRGS:** Emergency Circuit

**PRGS:** Program Rapid Start

## Energy Saving Options

**DALI:** Dimming - DALI

**DIM10:** Dimming - 0-10V (DC)

**DIMLV:** Dimming - Line Voltage (AC)

**DIMST:** Step Dimming

**DIMHL:** Dimming - Lutron

**SOC:** Occupancy Sensor

**DAY:** Daylight Harvesting Sensor

**TCW:** Two Circuit Wiring

## Additional Options

**ARS:** Air Return System

**CHP:** Chicago Plenum Application

**FFH:** Fuse/Fuse Holder

**FWH:** Flexible Wiring Harness

**RIF:** Radio Interference Filter

**TBR:** Tannenbaum Reflector

**HTR:** Hammertone Reflector

**HEO:** High Efficiency Optics

**AMW:** Anti-Microbial White Finish

\*To calculate EPC performance for 90 minutes in LED luminaires multiply EPC wattage by fixture efficacy (LPW from specification sheet).

## Shielding/Diffuser Options

**ARL:** Acrylic Ribbed Lens

**DCS:** Dust Covers

**PBL:** Parabolic Louver

**DP:** Diffuse Polycarbonate

**PCB:** Perforated Cross Baffle

**PRB:** Perforated Radial Baffle

**PRS:** Prismatic Acrylic (pattern 12)

**PSCB:** Perforated Steel Cross Baffle

**P95:** Clear Satin Acrylic

**SCB:** Steel Cross Baffle

**SRB:** White Steel Radial Baffle

**WOA:** White Opal Acrylic

**WOV:** White Acrylic Overlay

**WAB:** White Acrylic Basket

**0.5P:** 1/2" x 1/2" x 1/2" Silver Acrylic Paracube

**1.5P:** 1 1/2" x 1 1/2" x 1" Silver Acrylic Paracube

Consult factory for specialty high performance shielding.

For perforation options see Day-O-Lite's Perforation/Shielding guide at: [www.dayolite.com](http://www.dayolite.com)

## Quality Assurance

All luminaires are pre-wired and 100% LED and lamp tested for Quality Assurance.

Day-O-Lite reserves the right to change product specifications without notice including the details of design, material and finish for product improvement.

## Warranty

Day-O-Lite warrants its products from defects in materials and workmanship for a period of 5 years from date of invoice. To report and resolve warranty claims please contact us at (401) 467-8232.

## Made in the USA

Day-O-Lite lighting systems are designed fabricated and assembled in our Warwick, Rhode Island manufacturing facility. Our domestic manufacturing and engineering expertise guarantees the quality, delivery and service our customers have come to expect and rely upon.

Day-O-Lite is a proud member of the official Made in the USA brand directory. [www.madeintheusabrand.com](http://www.madeintheusabrand.com)

## Custom Capabilities

Day-O-Lite offers a wide range of custom capabilities ranging from simple variants to complete custom design and fabrication. Our mission is to provide quality products and outstanding customer service through a commitment to excellence, continuous improvement and technology.

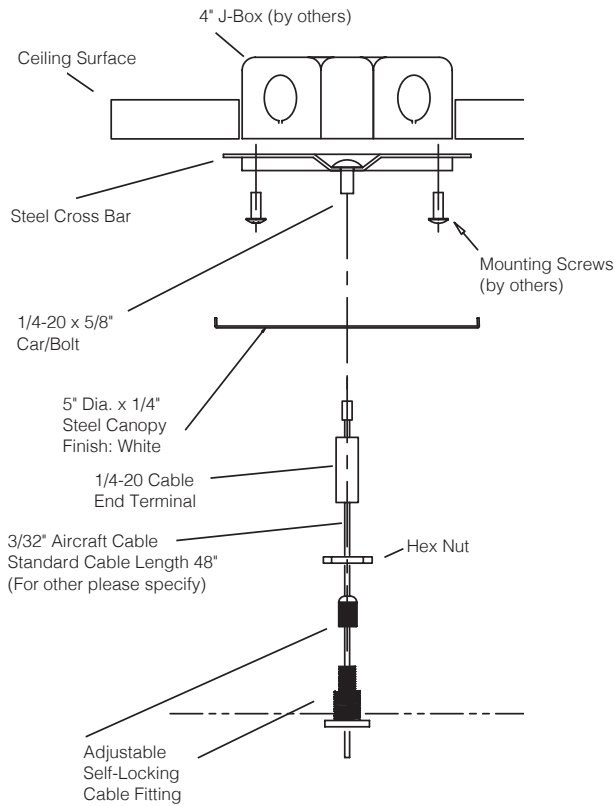
Please contact us at (401) 467-8232 with your custom product inquiries.

## Custom Colors

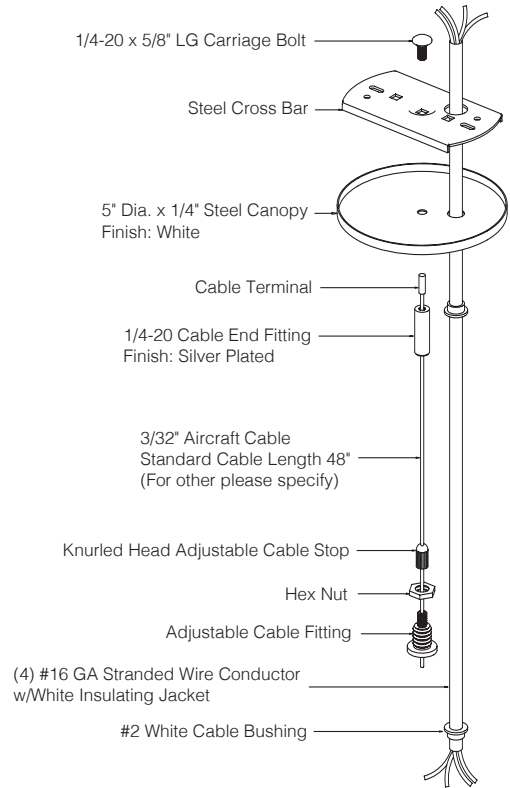
Day-O-Lite will match any custom color to match a projects requirements. Anti-Microbial powder coat finishes are also available for Medical and Healthcare applications.

# Cable & Stem Mounting Options

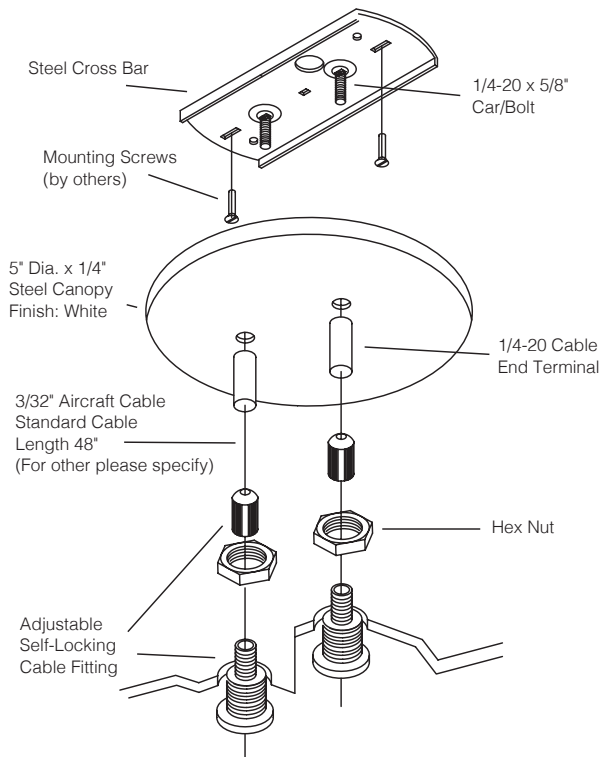
## AC (STANDARD CABLE MOUNT)



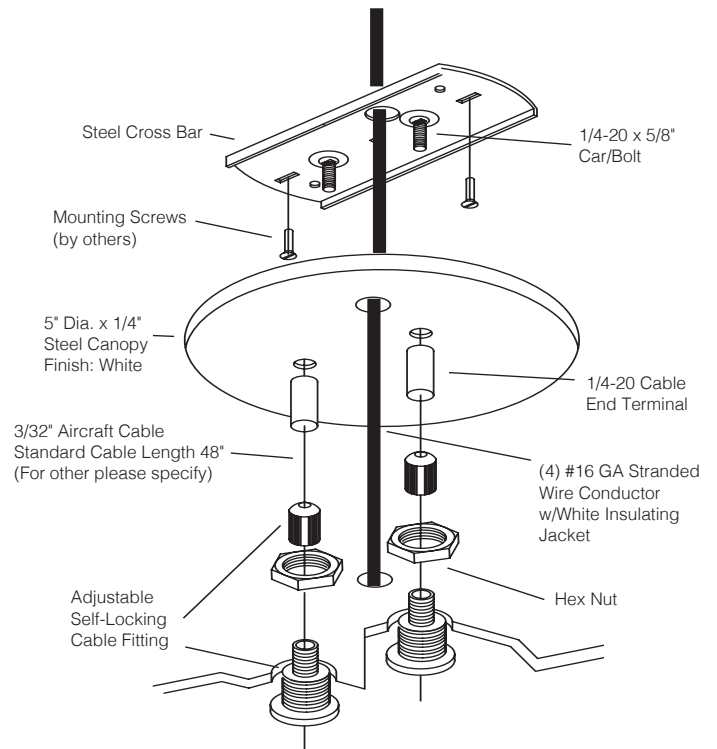
## ACA (AC WITH STRAIGHT POWER FEED)



## ACB (DOUBLE CABLE MOUNTING)

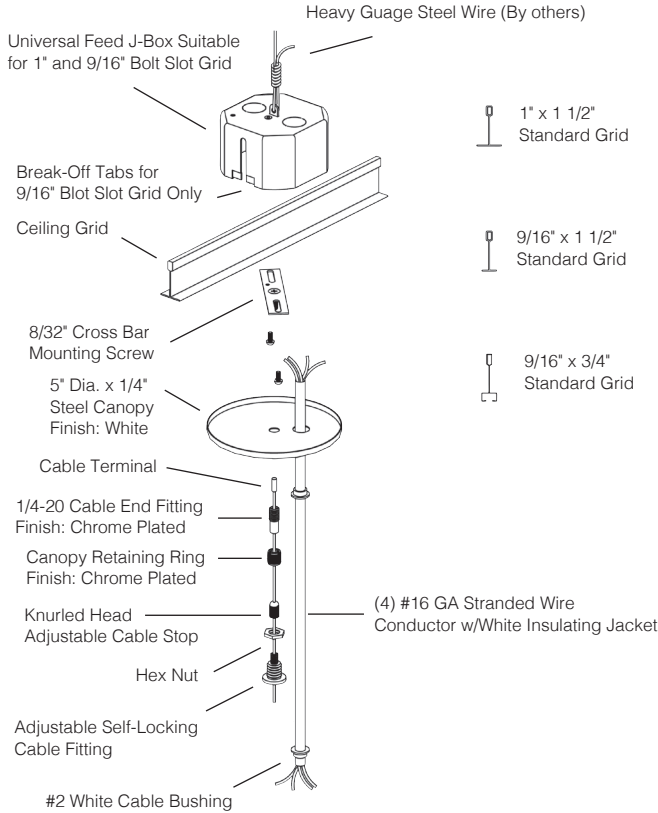


## ACC (DOUBLE CABLE WITH STRAIGHT POWER FEED)

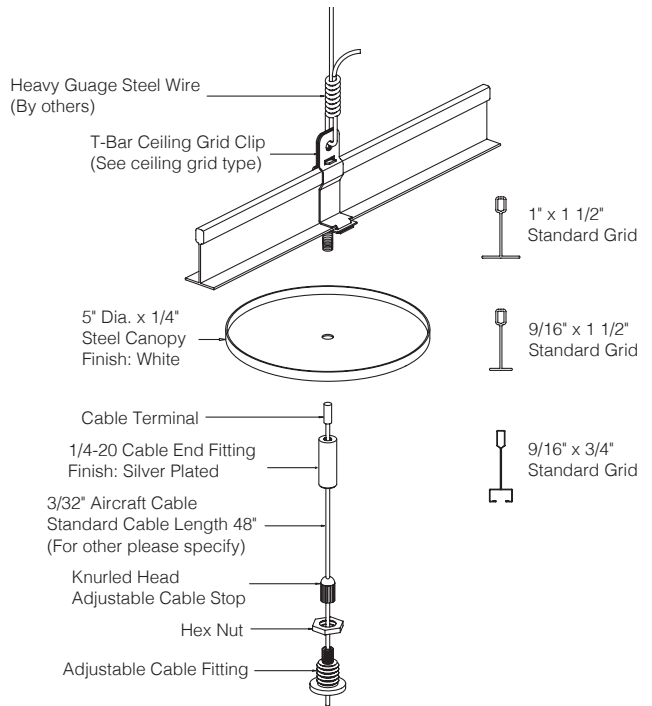


# Cable & Stem Mounting Options

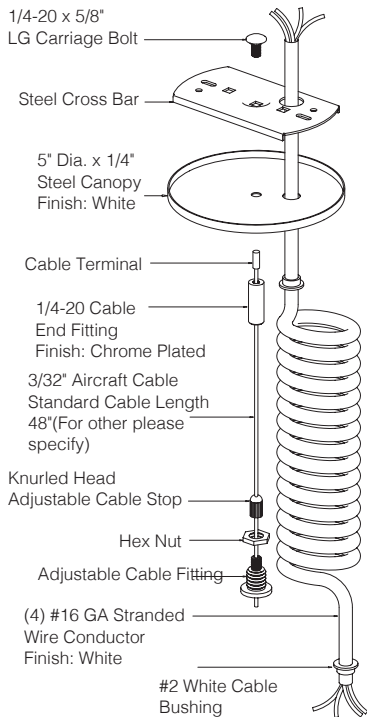
## ACA J-BOX (AC W/JBOX FOR GRID MOUNTING)



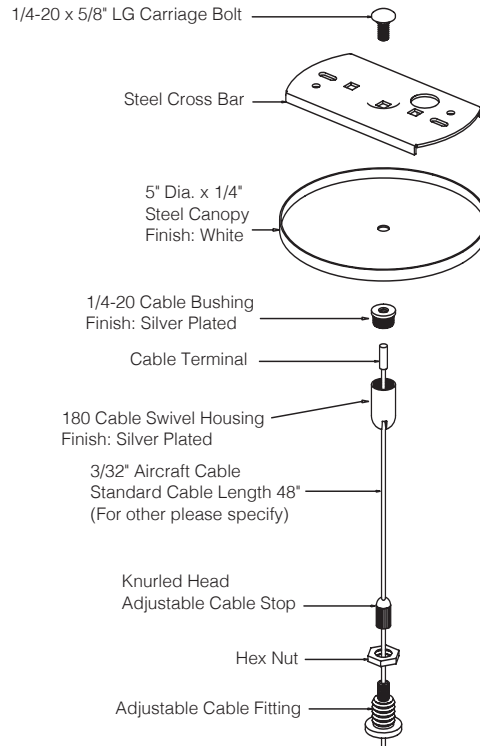
## ACD (AC GRID MOUNTED)



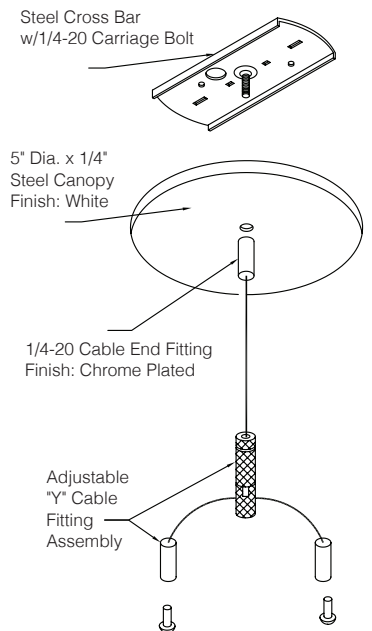
## ACF (AC W/COILED POWER FEED)



## ACH (AC ANGLED ASSEMBLY)

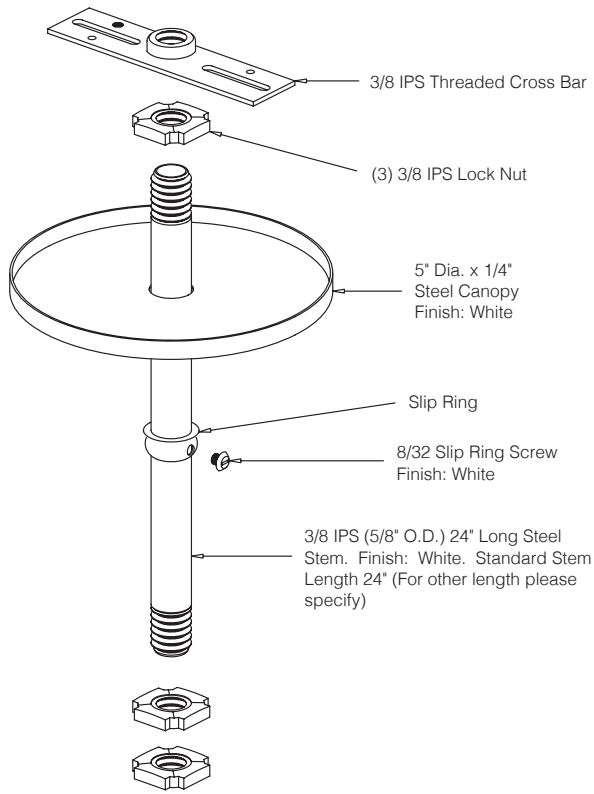


## ACY (AC "Y" CABLE ASSEMBLY)

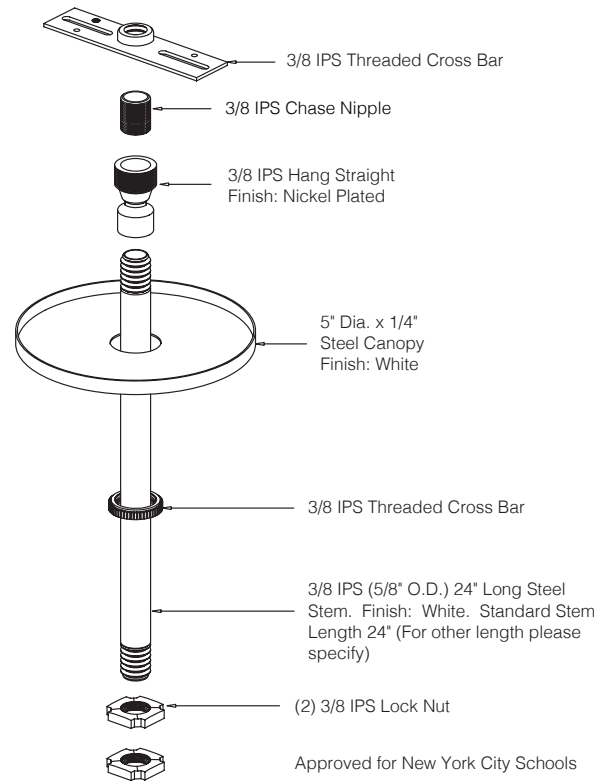


# Cable & Stem Mounting Options

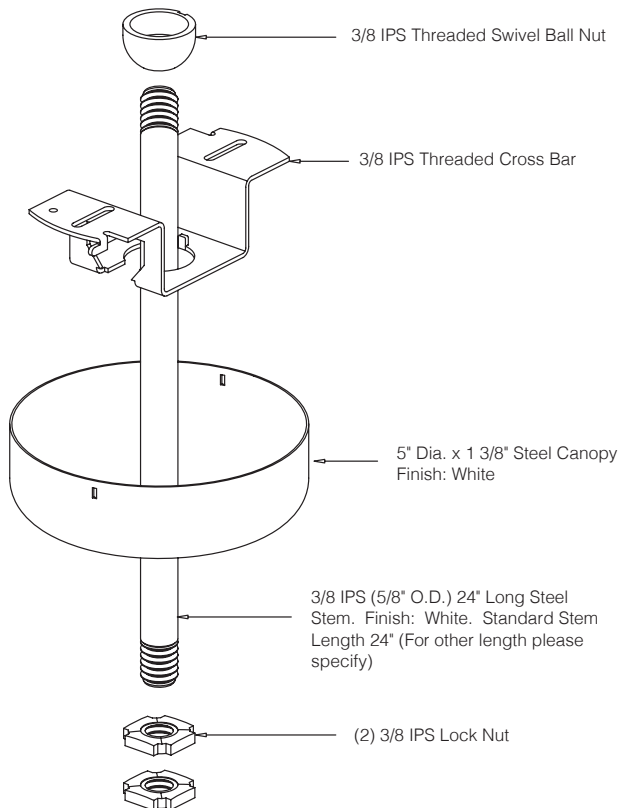
## PD (STANDARD RIGID STEM MOUNTING)



## PDA (HANG STRAIGHT)



## PDB (SWIVEL ASSEMBLY)



## PDC (EARTHQUAKE ASSEMBLY)

