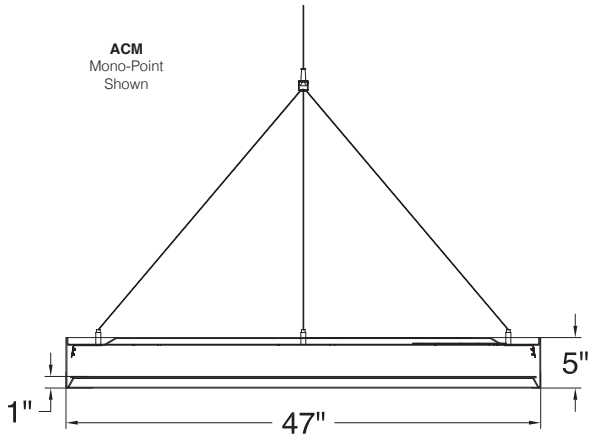




# Equator Series | EQL-1923-DI-4

Date	Notes
Project	
Type	Qty



## Features

- One piece spun aluminum housing w/twist-off lens.
  - LED optimized optics for smooth illumination across entire diameter.
  - Suspension with aircraft cable, pendant stems or 3-into-1 monopoint.
  - Programmable driver for custom lumen packages. 0-10V dimming to 1% standard.
  - LEDs in 80 or 90 CRI; two or three channel tunable white; five channel tunable color.
- Declared Red List Approved.**

## Ordering Guide



MODEL	OPTICS	CCT <sup>1</sup>	LUMENS <sup>2</sup>	DIAMETER	MOUNTING <sup>3</sup>	FINISH	OPTIONS
<b>EQL-1923-DI</b>				<b>4</b>			
EQL-1923-DI	SI = Satin Ice Acrylic (Flat) CX = Opal Acrylic (Convex)	27 = 2700K 80CRI 30 = 3000K 80CRI 35 = 3500K 80CRI 40 = 4000K 80CRI 50 = 5000K 80CRI	LO = 12,637 (23W, 121LPW) SO = 16,883 (31W, 121LPW) HO = 21,087 (39W, 121LPW)	4 = 4 ft	AC = Aircraft Cable PD = Pendant Stem ACM = Mono-Point	W = White CC = Custom Color AMW = Anti-Microbial White	<p><b>DIMMING DRIVERS</b></p> <p>DIM10 = 0-10V (1%) Standard            DTO = 0-10V (Dim-to-Off)            DIMST = 0-10V Step Dimming            DIMSR = DALI Sensor Ready (5.0%)            DALI = DALI (5.0%)            DMX = DMX</p> <p><b>LUTRON™ DIMMING DRIVERS</b></p> <p>LDE1 = Hi-Lume 1% EcoSystem            LD2 = Digital 1% (DALI-2)            L3DA3W = Hi-Lume 1% 3-Wire</p> <p><b>SENSORS &amp; CONTROLS<sup>4</sup></b></p> <p>AVO = Avi-On Sensor            AWNS = Lutron Athena Sensor            ESN = EasySense Sensor            CAS = Casambi Wireless Control</p> <p><b>EMERGENCY<sup>5</sup></b></p> <p>EMC = Emergency Circuit            GTD = Generator Transfer Device            EPC4 = 4W Emergency Battery            EPC6 = 6.5W Emergency Battery            EPC10 = 10W Emergency Battery            EPC12 = 12W Emergency Battery</p> <p><b>WIRING</b></p> <p>TCW = Two Circuit Wiring            FWH = Flexible Wiring Harness            DWH = DMX Wiring Harness</p>
		<p><b>BIOS SkyBlue</b> Spectrally optimized circadian solutions.</p> <p><b>TUNABLE WHITE</b> (2700K-6500K)            2DIM10 = for 0-10V            2DMX = for DMX            2ESN = for Philips            2CAS = for Casambi            2LUT = for Lutron</p> <p><b>DIM-TO-WARM</b> (2700K-6500K) DTW = Dim-to-Warm</p> <p><b>RGB + WHITE</b>            RGB = RGB            RGBW = RGBW            RGBWW = RGBWW</p>	<p>All figures above for SI (Flat) lens.</p> <p>All sizes:            57% Direct            43% Indirect</p> <p><b>CUSTOM</b> Specify &lt; HO.</p>				

<sup>1</sup>All LED, BIOS, Tunable White, DTW, and RGB/W options and Ordering Codes page 2.

<sup>2</sup>Lumens at 80CRI, 4000K, SI lens. Photometry page 3.

<sup>3</sup>See page 3 for mounting option details.

<sup>4</sup>All Sensor & Control options page 2.

<sup>5</sup>EPC6 is standard unless otherwise specified. EPC not for DMX drivers.

**BAA** letter of compliance available at [www.dayolite.com](http://www.dayolite.com).

## LED, BIOS, Sensor &amp; Control Ordering Codes

## LED

## Static White

30 = 3000K 80 CRI  
 35 = 3500K 80 CRI  
 40 = 4000K 80 CRI  
 50 = 5000K 80 CRI

927 = 2700K 90 CRI  
 930 = 3000K 90 CRI  
 935 = 3500K 90 CRI  
 940 = 4000K 90 CRI

Tunable White<sup>1</sup>  
(2700K-6500K)

2DIM10 = 0-10V 80 CRI  
 2DMX = DMX 80 CRI  
 2CAS = Casambi Wireless 80 CRI  
 2ESN = Philips EasySense 80 CRI  
 2LUT = Lutron (LD2) 80 CRI

92DIM10 = 0-10V 90 CRI  
 92DMX = DMX 90 CRI  
 92CAS = Casambi Wireless 90 CRI  
 92ESN = Philips EasySense 90 CRI  
 92LUT = Lutron (LD2) 90 CRI

Dim-to-Warm<sup>2</sup>

DTW = 6500K-2700K 80 CRI  
 9DTW = 5000K-3000K 90 CRI

RGB/W<sup>3</sup>

(80 CRI, Consult factory for 90 CRI)

RGB = RGB only  
 RGB27 = RGB w/2700K  
 RGB30 = RGB w/3000K  
 RGB35 = RGB W/3500K  
 RGB40 = RGB w/4000K  
 RGB50 = RGB w/5000K  
 RGBWW = RGB w/2700K-6500K

Single Color<sup>4</sup>

RED = Red  
 BLU = Blue  
 GRN = Green  
 AMB = Amber

## BIOS SkyBlue



BIOS SkyBlue biological technology brings the benefits of blue skies inside. BIOS SkyBlue is the only spectrally optimized circadian solution to pinpoint the region that drives wellness benefits including: increased alertness, enhanced productivity, better mood, and better sleep. More information may be found at [www.bioslighting.com](http://www.bioslighting.com) or by contacting Day-O-Lite directly. All options for 0-10V control.

## BIOS Biological Static

For daytime applications. BIOS Static Biological LED features key BIOS SkyBlue (490nm) for maximum daytime circadian impact.

B30 = 3000K  
 B35 = 3500K  
 B40 = 4000K

## BIOS Biological Dynamic White

Designed to transition from daytime to evening in a dim-to-warm protocol. The daytime CCT includes full BIOS SkyBlue (490nm) for maximum daytime circadian impact, while the evening spectrum removes BIOS SkyBlue for a minimal circadian stimulus after hours.

B30D = 3000K-2700K  
 B35D = 3500K-3000K  
 B40D = 4000K-3500K

## BIOS Biological Tunable White

Designed to transition from daytime to evening in a tunable white protocol. The daytime CCT includes full BIOS SkyBlue (490nm) for maximum daytime circadian impact, while the evening spectrum removes BIOS SkyBlue for a minimal circadian stimulus after hours.

B30T = 3000K-2700K  
 B35T = 3500K-2700K  
 B40T = 4000K-2700K

## Sensors &amp; Controls

## Sensors

AVO = Avi-On Occ/Day  
 AVM = Avi-On Occ (Microwave)  
 BNV = BubblyNet Occ/Day  
 ENC = Encelium Occ/Day  
 ENL = EnLighted Occ/Day/Temp  
 LEG = Legrand Occ/Day  
 ANW = Lutron Athena Occ/Day  
 VIVE = Lutron Vive Occ/Day  
 NLT = Acuity nLight Occ/Day  
 NXC = Current NX Occ/Day  
 ESN = Philips EasySense Occ/Day  
 WV = Cooper WaveLinx Occ/Day

## Wireless Control

CAS = Casambi

Sensors and control options to be commissioned wirelessly in the field by qualified controls personnel with applicable apps (by others).

## Other Options

Other sensor and wireless control options are available. Contact factory for details.

<sup>1</sup>Tunable white may be controlled by a number of dimming protocols as shown.

<sup>2</sup>Dim-to-Warm mimics incandescent dimming by warming the CCT from 6500K to 2700K as light levels are dimmed.

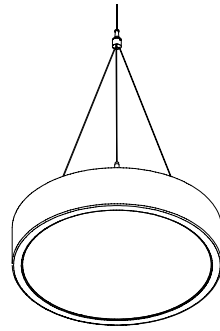
<sup>3</sup>All RGB, RGBW and RGBWW options for DMX control (by others).

<sup>4</sup>Single colors are constant voltage LEDs. Dimming requires ELV controller (by others).

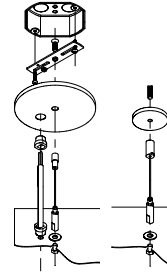
## Standard Suspension Options

Standard suspension options include adjustable self-locking aircraft cables (AC), monopoint (ACM) and rigid pendant stems (PD). AC assembly is 48" x 1/16" with a 5" feed canopy and 2" suspension canopies. 60" 18 gauge power and 22 gauge dimming control SJT feed.

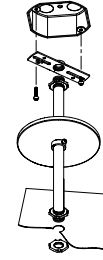
PD assemblies are 5/8" dia. (or 3/8" IP) hollow stem for power feed by others, 24" is standard. Consult factory for longer suspension lengths and other mounting options.



AMC = Mono Point

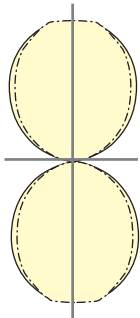


AC = Aircraft Cable



PD = Pendant Stem

## Photometry



### EQL-1923-DI-SI-40-LO-4

4000K CCT  
WATTS: 104  
LUMENS: 12,673  
LPW: 121  
Distribution:  
50% Direct  
50% Indirect

### EQL-1923-DI-SI-40-SO-4

4000K CCT  
WATTS: 139  
LUMENS: 16,883  
LPW: 121  
Distribution:  
50% Direct  
50% Indirect

### EQL-1923-DI-SI-40-HO-4

4000K CCT  
WATTS: 174  
LUMENS: 21,087  
LPW: 121  
Distribution:  
50% Direct  
50% Indirect

40000K @ 80CRI, SI lens.

Use the following multipliers for other CCTs: 2700K x 0.94, 3000K x 0.96, 3500K x 0.98, 5000K x 1.02. IES files @ [www.dayolite.com](http://www.dayolite.com)

## Specifications

**HOUSING:** One-piece aluminum spinning for a clean seamless appearance.

**REFLECTOR:** Die-formed, 20-gauge, cold rolled steel in high gloss baked white enamel.

**OPTICS:** Satin Ice Acrylic flat or opal acrylic convex lenses available.

**LED:** Static white LED modules in 27/30/35/40 & 50K CCT, 80/90CRI. Lumen maintenance minimum  $L_{70}$  = 50,000 hours. 3 SDCM color consistency. BIOS SkyBlue, RGB, RGBW, RGBWW, Advanced Color, Tunable White and Dim-to-Warm options available; field replaceable.

**DRIVER:** Standard driver is Class 2 AOC 0-10V to 1%, Dim-to-Off available. 120/277V input, PF > 90%, THD < 20 @ 120V. DMX, DALI & Lutron protocols available. All drivers prewired for connection to control system (by others), field replaceable.

**MOUNTING:** Standard options include adjustable self-locking aircraft cables (AC), and rigid pendant stems. Aircraft cable assembly is 48" x 1/16" with a 5" feed canopy and 2" suspension canopies. 18 gauge power and 22 gauge dimming control SJT feed.

**FINISH:** Housing and components finished in baked white enamel. Canopies and pendant stems are white enamel unless otherwise specified. 5" feed canopy w/2" suspension canopies.

**CERTIFICATION:** Luminaires are cETLus listed conforming to UL STD. 1598 and certified to CSA STD C22.2 NO. 250.0. Suitable for dry & damp locations. Union Made in the United States of America. I.B.E.W., BAA compliant, Declare Red List Approved.

**LEGAL:** Day-O-Lite, a division of SCW Corporation. All rights reserved. The Day-O-Lite logo is a registered trademark of SCW Corporation. Day-O-Lite reserves the right to change specifications without notice for product improvement.