

Date	Notes
Project	
Type Qty	

## Features

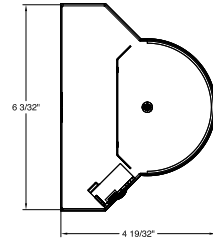
- Designed specifically for stairwell egress lighting.
- Meets state and local stairwell requirements.
- Standard or step dimming available.
- PIR or Ultrasonic Occupancy Sensor optional.
- LED optimized optics for smooth, efficient illumination.
- Programmable driver for custom lumen packages.
- 0-10V dimming to 1% standard or Dim-to-Off.
- DMX, Lutron and DALI protocols also available.
- Sensor Ready for wireless Smart Lighting Solutions.

**Declare** Red List Approved.



## STAIRWELL LIGHTING

Energy efficient compliance with state and local requirements for commercial and public stairwell egress lighting. Shown with optional sonic motion sensor.



## Ordering Guide



MODEL	OPTICS	CCT <sup>1</sup>	LUMENS <sup>1</sup>	LENGTH	MOUNTING <sup>2</sup>	FINISH	OPTIONS
<b>STWL-DI</b>	<b>WOA</b>				<b>WM</b>		
STWL-DI Direct/Indirect	WOA = White Opal Acrylic	27 = 2700K 80CRI 30 = 3000K 80CRI 35 = 3500K 80CRI 40 = 4000K 80CRI 50 = 5000K 80CRI  For 90 CRI add "9" prefix. Ex: 940 = 4000K @ 90 CRI	<b>2' LUMENS</b> LO = 1250 (11W, 125LPW)  SO = 1665 (14W, 118LPW)  HO = 2090 (18W, 116LPW) <b>4' LUMENS</b> LO = 2540 (21W, 127LPW)  SO = 3390 (28W, 125LPW)  HO = 4240 (35W, 121LPW)  <b>CUSTOM</b> For custom lumens specify value < HO	2 = 2 ft 4 = 4 ft	WM = Wall Mount	W = White  CC = Custom Color  AMW = Anti-Microbial White	<b>DIMMING DRIVERS</b> DIM10 = 0-10V (1%) Standard DTO = 0-10V (Dim-to-Off) DIMST = 0-10V Step Dimming DIMSR = DALI Sensor Ready (5.0%) DALI = DALI (5.0%) DMX = DMX  <b>LUTRON™ DIMMING DRIVERS</b> LDE1 = Hi-Lume 1% EcoSystem LD2 = Digital 1% (DALI-2) L3DA3W = Hi-Lume 1% 3-Wire  <b>SENSORS &amp; CONTROLS<sup>3</sup></b> AVO = Avi-On Sensor AWNS = Lutron Athena Sensor ESN = EasySense Sensor CAS = Casambi Wireless Control  <b>EMERGENCY<sup>4</sup></b> EMC = Emergency Circuit GTD = Generator Transfer Device EPC4 = 4W Emergency Battery EPC6 = 6.5W Emergency Battery EPC10 = 10W Emergency Battery EPC12 = 12W Emergency Battery  <b>WIRING</b> FWH = Flexible Wiring Harness

<sup>1</sup>Lumens at 80CRI, 4000K, WOA lens. Photometry page 3.

<sup>2</sup>See page 4 for all mounting options.

<sup>3</sup>All Sensor & Control options page 2.

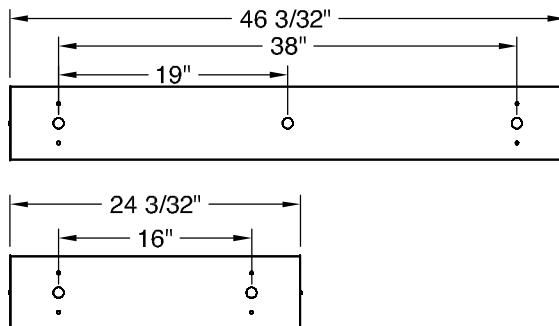
<sup>4</sup>EPC6 is standard unless otherwise specified. EPC not for DMX drivers.

**BAA** letter of compliance available at [www.dayolite.com](http://www.dayolite.com).

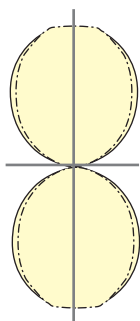
## Fixture Dimensions and Mounting Locations

NOMINAL LENGTH	ACTUAL LENGTH	KNOCK OUTS
2'	24 3/32"	2
4'	48 3/32"	3

Mounting and power feed locations are shown below.



## Photometry



### STWL-DI-WOA-40-LO-2-WM

4000K CCT  
WATTS: 10  
LUMENS: 1250  
LPW: 125  
Distribution:  
50% Direct, 50% Indirect

### STWL-DI-WOA-40-SO-2-WM

4000K CCT  
WATTS: 14  
LUMENS: 1665  
LPW: 118  
Distribution:  
50% Direct, 50% Indirect

### STWL-DI-WOA-40-HO-2-WM

4000K CCT  
WATTS: 18  
LUMENS: 2090  
LPW: 116  
Distribution:  
50% Direct, 50% Indirect

### STWL-DI-WOA-40-LO-4-WM

4000K CCT  
WATTS: 20  
LUMENS: 2540  
LPW: 127  
Distribution:  
50% Direct, 50% Indirect

### STWL-DI-WOA-40-SO-4-WM

4000K CCT  
WATTS: 27  
LUMENS: 3390  
LPW: 125  
Distribution:  
50% Direct, 50% Indirect

### STWL-DI-WOA-40-HO-4-WM

4000K CCT  
WATTS: 35  
LUMENS: 4240  
LPW: 121  
Distribution:  
50% Direct, 50% Indirect

4000K @ 80CRI, WOA lens.

Use the following multipliers for other CCTs: 2700K x 0.94, 3000K x 0.96, 3500K x 0.98, 5000K x 1.02. IES files @ [www.dayolite.com](http://www.dayolite.com)

## Specifications

**CONSTRUCTION:** 20 gauge cold rolled steel housing and internal components.

**REFLECTOR:** Die-formed steel finished in highly reflective baked white enamel with pre-finished reflective LED tray.

**OPTICS:** LED optimized white opal acrylic lens (WOA) is standard.

**LED:** LED modules in 27/30/35/40 & 50K CCT, 80 CRI (90CRI available).  $L_{70}$ = 50,000 hours. 3 SDCM consistency; field replaceable.

**DRIVER:** Standard driver is Class 2 AOC 0-10V to 1%, 120/277V input, PF > 90%, THD < 20 @ 120V. Additional dimming protocols available. All drivers prewired from factory for connection to control system (by others); field replaceable.

**MOUNTING:** Standard installation is wall mount via included knockouts.

**FINISH:** Housing and components finished in baked white enamel.

**CERTIFICATION:** cETLus listed conforming to UL STD. 1598 and certified to CSA STD C22.2 NO. 250.0. Suitable for dry & damp locations. Union Made in the United States of America, I.B.E.W, BAA compliant, Declare Red List Approved.

**LEGAL:** Day-O-Lite, a division of SCW Corporation. All rights reserved. The Day-O-Lite logo is a registered trademark of SCW Corporation. Day-O-Lite reserves the right to change specifications without notice for product improvement.