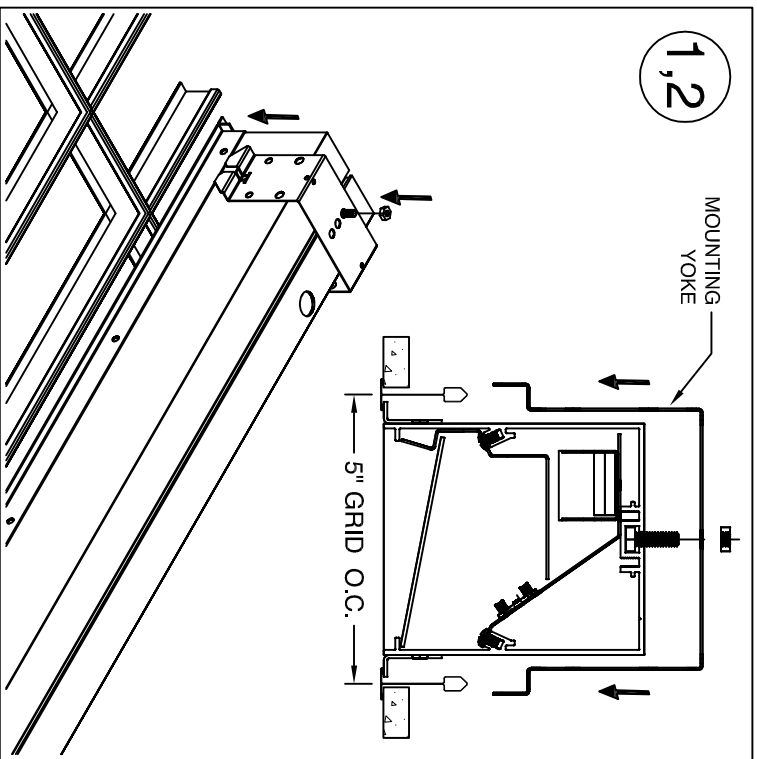


PRFL44- GRID FIXTURE INSTALLATION

1,2



1. DROP FIRST FIXTURE INTO APPROPRIATE SIZED GRID OPENING FROM ABOVE GRID.
2. DROP NEXT FIXTURE INTO APPROPRIATE SIZED GRID OPENING FROM ABOVE GRID.
3. JOIN FIXTURES WITH SUPPLIED HARDWARE AND CONNECT WIRE HARNESSSES. DO NOT OVER TIGHTEN JOINING HARDWARE. CONTINUE INSTALLING AND JOINING FIXTURES UNTIL ROW IS COMPLETE.
4. INSTALL THE WIRE TO FIXTURE AND SECURE OTHER END TO APPROPRIATE STRUCTURE TO SUPPORT
5. CONNECT POWER FEED CONDUCTORS TO APPROPRIATE WIRES OF FIXTURE. INSTALL POWER FEED WITH APPROPRIATE STRAIN RELIEF TO SECURE CORD IN FIXTURE AS REQUIRED BY LOCAL ELECTRICAL CODES. REFER TO JOB DRAWINGS FOR JOB SPECIFIC WIRING

6. INSTALLATION IS COMPLETE



TO BE INSTALLED BY A QUALIFIED ELECTRICIAN IN ACCORDANCE TO LOCAL & NATIONAL ELECTRIC CODES.



FAILURE TO COMPLY TO INSTRUCTIONS & FORMENTIONED WARNINGS COULD VOID PRODUCT WARRANTY

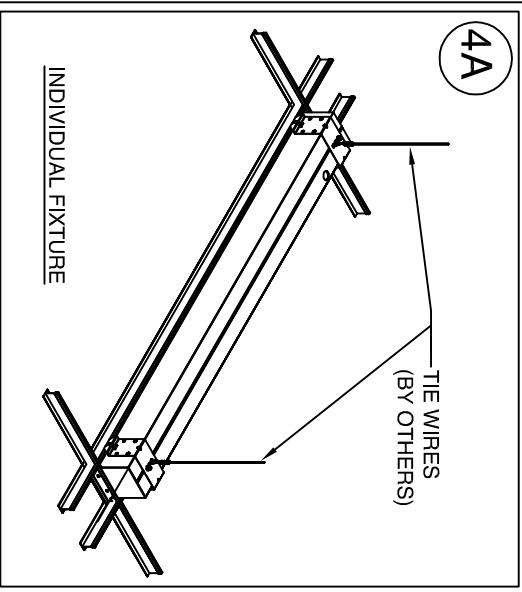


CEILING TO BE PROPERLY REINFORCED TO SUPPORT WEIGHT OF THE FIXTURE.

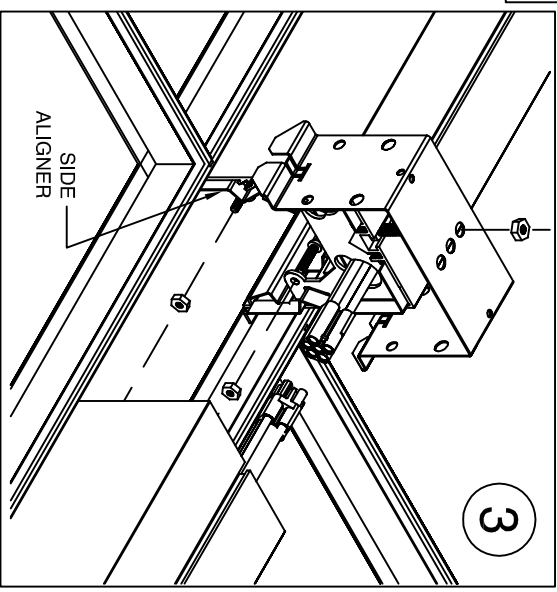


RISK OF ELECTRICAL SHOCK. DISCONNECT POWER BEFORE INSTALLATION OR SERVICING.

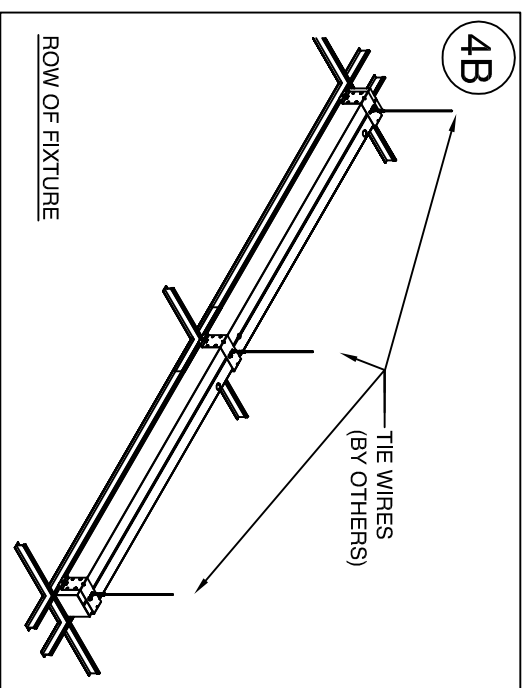
4A



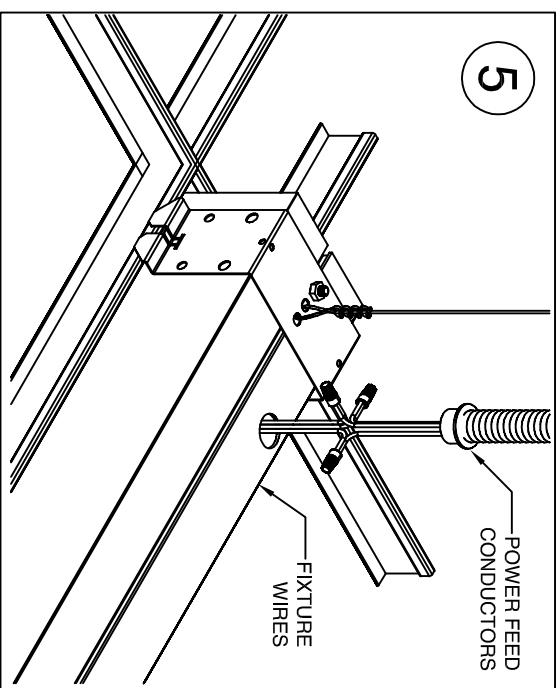
3



4B



5



MUST BE INSTALLED BY A QUALIFIED ELECTRICIAN. DISCONNECT POWER DURING INSTALLATION/SERVICING. ROW CONFIGURATION IS JOB SPECIFIC. CONSULT SHOP DRAWINGS BEFORE CONSTRUCTING ROWS. STANDARD OPTIONS/SIZES SHOWN. OTHER OPTIONS AVAILABLE WITH SIMILAIR INSTALLATION. BE SURE TO UNDERSTAND ALL PROCEDURES PRIOR TO INSTALLATION. IMPORTANT: THE NATIONAL ELECTRIC CODE REQUIRES THAT ANY FIXTURE IN EXCESS OF 50 POUNDS MUST BE INDEPENDENTLY SUPPORTED OF THE OUTLET BOX. DAY-O-LITE IS NOT RESPONSIBLE FOR INADEQUATE REINFORCEMENT OF STRUCTURAL SUPPORT SYSTEMS. DAY-O-LITE RESERVES THE RIGHT TO MAKE ANY MECHANICAL OR MATERIAL CHANGES TO THE FIXTURES WHICH DO NOT AFFECT THE APPEARANCE OR PERFORMANCE. THIS PRINT IS THE PROPERTY OF DAY-O-LITE AND THE INFORMATION IT CONTAINS MAY NOT BE USED WITHOUT WRITTEN CONSENT OF DAY-O-LITE.

MODEL NO.: PRFL-44-GRID----	PAGE: SHEET 1 OF 1	PART NUMBER: 970173A0
CONTACT INFORMATION: 128 Chestnut Street, Warwick, RI 02888 Tel. (401) 467-8232 Fax. (401) 941-2960 E-mail: sales@dayville.com WWW: http://www.dayville.com	ISSUED ON: 12/20/23	
<p>Lighting Without Limits</p>		