

RECESSED GRID FIXTURE INSTALLATION

INSTRUCTIONS APPLY TO THE FOLLOWING DAY-O-LITE TROFFER MODELS:

NASL-2821 SERIES



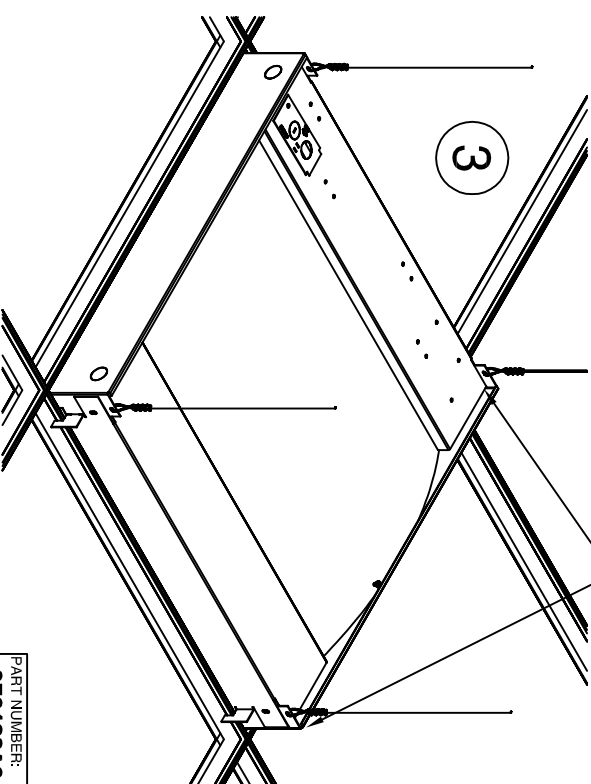
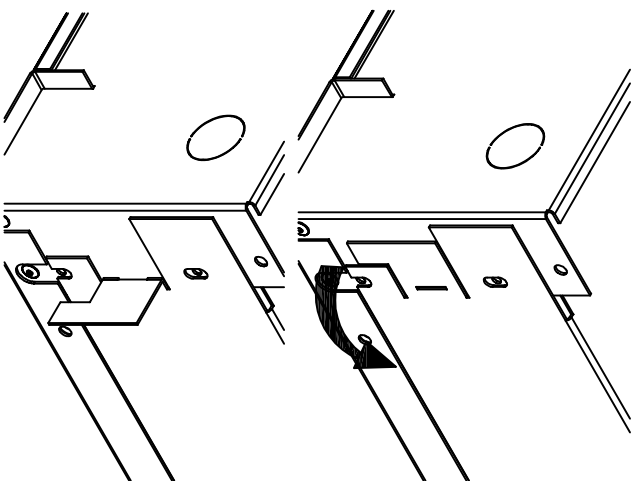
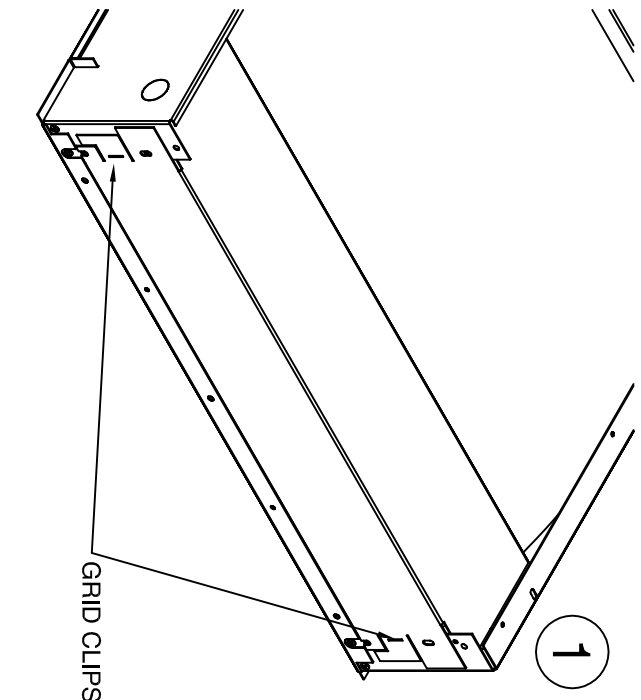
RISK OF ELECTRICAL SHOCK. DISCONNECT POWER BEFORE INSTALLATION OR SERVICING.



TO BE INSTALLED BY A QUALIFIED ELECTRICIAN IN ACCORDANCE TO LOCAL & NATIONAL ELECTRICAL CODES.



FAILURE TO COMPLY TO INSTRUCTIONS & FORMENTIONED WARNINGS COULD VOID PRODUCT WARRANTY



1. BEND THE FOUR GRID CLIPS 90 DEGREES AWAY FROM HOUSING
2. DROP FIXTURE INTO APPROPRIATE SIZED GRID OPENING FROM ABOVE GRID.
3. INSTALL THE WIRE TO FIXTURE AND SECURE OTHER END TO APPROPRIATE STRUCTURE TO SUPPORT WEIGHT OF FIXTURE.
4. REMOVE ACCESS PLATE AND/OR ELECTRICAL KNOCKOUT BRING FEED WIRES INTO FIXTURE. CONNECT SUPPLY WIRES AND FIXTURE WIRES USING APPROPRIATE CONNECTOR PER LOCAL ELECTRICAL CODES. INSTALL APPROPRIATE STRAIN RELIEF PER LOCAL ELECTRICAL CODES. STANDARD WIRING DIAGRAM SHOWN, REFER TO JOB DRAWINGS FOR JOB SPECIFIC WIRING
5. REINSTALL ACCESS PLATE AFTER ALL WIRING CONNECTIONS ARE MADE. INSTALLATION IS COMPLETE

MUST BE INSTALLED BY A QUALIFIED ELECTRICIAN. DISCONNECT POWER DURING INSTALLATION/SERVICING. ROW CONFIGURATION IS JOB SPECIFIC. CONSULT SHOP DRAWINGS BEFORE CONSTRUCTING ROWS. STANDARD OPTIONS/SIZES SHOWN. OTHER OPTIONS AVAILABLE WITH SIMILAIR INSTALLATION. BE SURE TO UNDERSTAND ALL PROCEDURES PRIOR TO INSTALLATION. IMPORTANT: THE NATIONAL ELECTRIC CODE REQUIRES THAT ANY FIXTURE IN EXCESS OF 50 POUNDS MUST BE INDEPENDENTLY SUPPORTED OF THE OUTLET BOX. DAY-O-LITE IS NOT RESPONSIBLE FOR INADEQUATE REINFORCEMENT OF STRUCTURAL SUPPORT SYSTEMS. DAY-O-LITE RESERVES THE RIGHT TO MAKE ANY MECHANICAL OR MATERIAL CHANGES TO THE FIXTURES WHICH DO NOT AFFECT THE APPEARANCE OR PERFORMANCE. THIS PRINT IS THE PROPERTY OF DAY-O-LITE AND THE INFORMATION IT CONTAINS MAY NOT BE USED WITHOUT WRITTEN CONSENT OF DAY-O-LITE.

MODEL NO.:
NASL-2821 ----

CONTRACT INFORMATION:
128 Chestnut Street, Warwick, RI 02888
Tel. (401) 467-8232 | Fax. (401) 941-2960
E-mail: sales@dayville.com
WWW: http://www.dayville.com

PAGE:
SHEET 1 OF 2

PART NUMBER:
970128A0
ISSUED ON:
10/12/23

DAY-O-LITE
Lighting Without Limits

RECESSED GRID FIXTURE INSTALLATION

INSTRUCTIONS APPLY TO THE FOLLOWING DAY-O-LITE TROFFER MODELS:

NASL-2821 SERIES



RISK OF ELECTRICAL SHOCK. DISCONNECT POWER BEFORE INSTALLATION OR SERVICING.



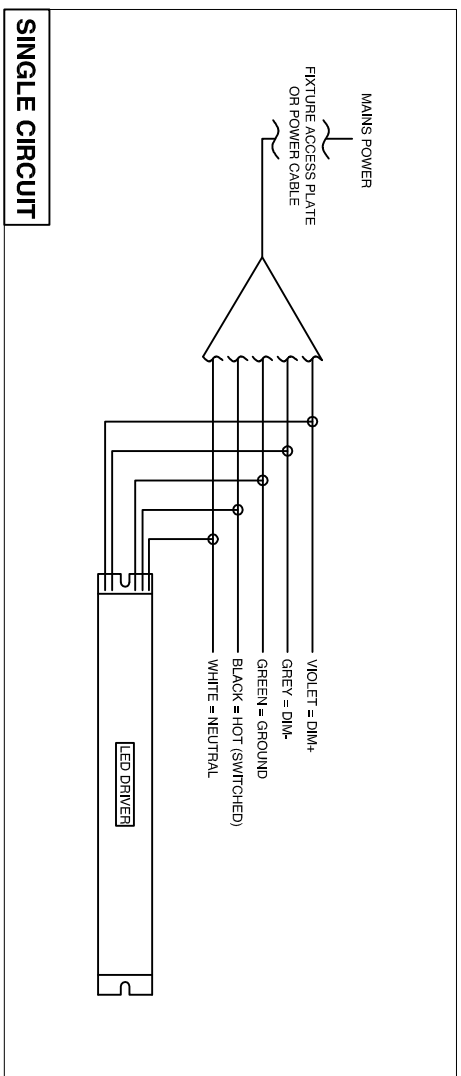
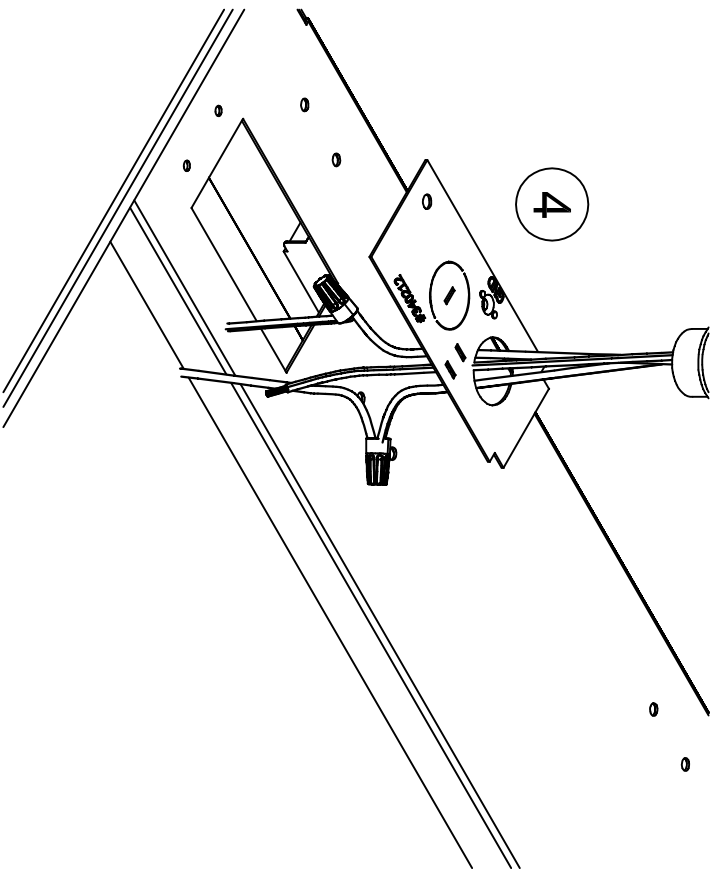
TO BE INSTALLED BY A QUALIFIED ELECTRICIAN IN ACCORDANCE TO LOCAL & NATIONAL ELECTRIC CODES.



DO NOT CONNECT, MODIFY, SPlice, OR TAP ANY WIRED CONNECTIONS UNDER POWER.

5

1. BEND THE FOUR GRID CLIPS 90 DEGREES AWAY FROM HOUSING
2. DROP FIXTURE INTO APPROPRIATE SIZED GRID OPENING FROM ABOVE GRID.
3. INSTALL THE WIRE TO FIXTURE AND SECURE OTHER END TO APPROPRIATE STRUCTURE TO SUPPORT WEIGHT OF FIXTURE.
4. REMOVE ACCESS PLATE AND/OR ELECTRICAL KNOCKOUT BRING FEED WIRES INTO FIXTURE. CONNECT SUPPLY WIRES AND FIXTURE WIRES USING APPROPRIATE CONNECTOR PER LOCAL ELECTRICAL CODES. INSTALL APPROPRIATE STRAIN RELIEF PER LOCAL ELECTRICAL CODES. STANDARD WIRING DIAGRAM SHOWN, REFER TO JOB DRAWINGS FOR JOB SPECIFIC WIRING
5. REINSTALL ACCESS PLATE AFTER ALL WIRING CONNECTIONS ARE MADE. INSTALLATION IS COMPLETE



MUST BE INSTALLED BY A QUALIFIED ELECTRICIAN. DISCONNECT POWER DURING INSTALLATION/SERVICING. ROW CONFIGURATION IS JOB SPECIFIC. CONSULT SHOP DRAWINGS BEFORE CONSTRUCTING ROWS. STANDARD OPTIONS/SIZES SHOWN. OTHER OPTIONS AVAILABLE WITH SIMILAR INSTALLATION. BE SURE TO UNDERSTAND ALL PROCEDURES PRIOR TO INSTALLATION. IMPORTANT: THE NATIONAL ELECTRIC CODE REQUIRES THAT ANY FIXTURE IN EXCESS OF 50 POUNDS MUST BE INDEPENDENTLY SUPPORTED OF THE OUTLET BOX. DAY-O-LITE IS NOT RESPONSIBLE FOR INADEQUATE REINFORCEMENT OF STRUCTURAL SUPPORT SYSTEMS. DAY-O-LITE RESERVES THE RIGHT TO MAKE ANY MECHANICAL OR MATERIAL CHANGES TO THE FIXTURES WHICH DO NOT AFFECT THE APPEARANCE OR PERFORMANCE. THIS PRINT IS THE PROPERTY OF DAY-O-LITE AND THE INFORMATION IT CONTAINS MAY NOT BE USED WITHOUT WRITTEN CONSENT OF DAY-O-LITE.

MODEL NO.:	NASL-2821-....	PAGE:	SHEET 2 OF 2	ISSUED ON:	10/12/23	PART NUMBER:	970128A0
CONTACT INFORMATION:	126 Chestnut Street, Warwick, RI 02888 Tel. (401) 467-8232 Fax. (401) 941-2960 E-mail: sales@dayolite.com WWW: http://www.dayolite.com	<p>Lighting Without Limits</p>					