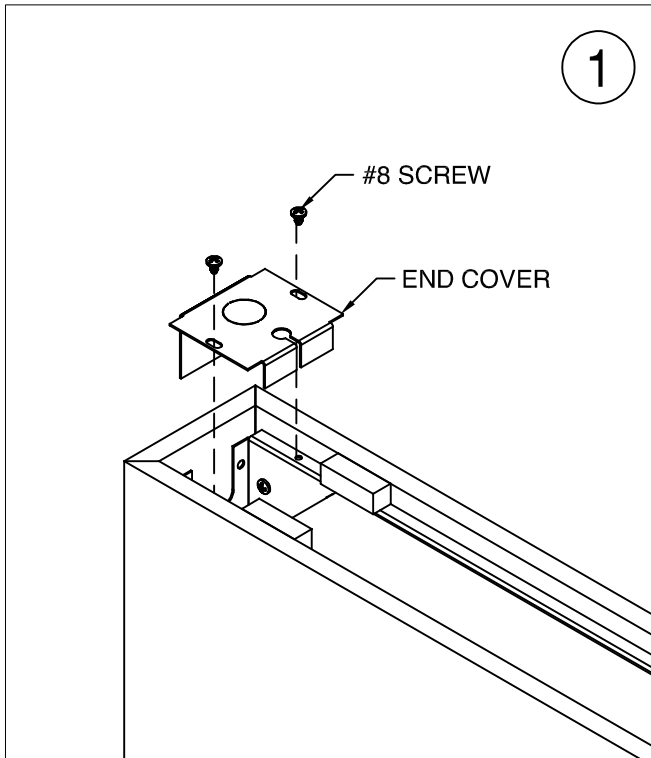


PRFL-D/DI ACOUSTIC FIXTURE INSTALLATION



1



DO NOT CONSTRUCT ROW ON FLOOR & LIFT TO CEILING.



RISK OF ELECTRICAL SHOCK. DISCONNECT POWER BEFORE INSTALLATION OR SERVICING.



TO BE INSTALLED BY A QUALIFIED ELECTRICIAN IN ACCORDANCE TO LOCAL & NATIONAL ELECTRIC CODES.

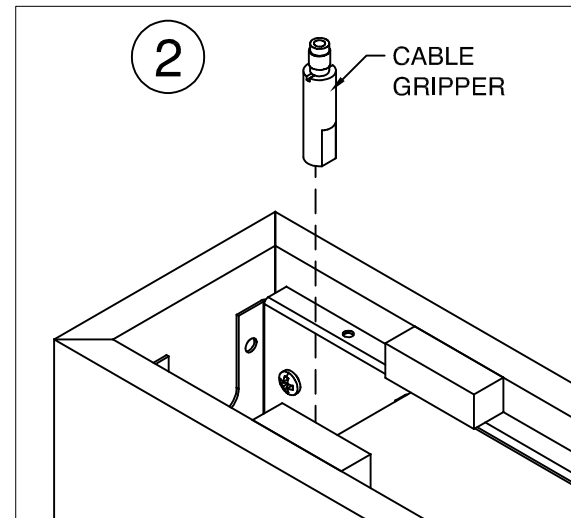
1. REMOVE END COVER BY REMOVING (2) #8 SCREWS AND LIFTING COVER OFF FIXTURE. REMOVE COVER FROM BOTH ENDS.

2. INSTALL CABLE GRIPPER ONTO EXPOSED 1/4-20 STUD AT EACH END OF FIXTURE

3. HANG FIXTURE. INSTALL A/C CABLE IN MOUNTING LOCATIONS ACCORDING TO INSTRUCTIONS SUPPLIED WITH MOUNTING KIT. LIFT FIXTURE INTO POSITION AND FEED A/C CABLE THROUGH CABLE GRIPPER. TIGHTEN CABLE GRIPPER IN POSITION

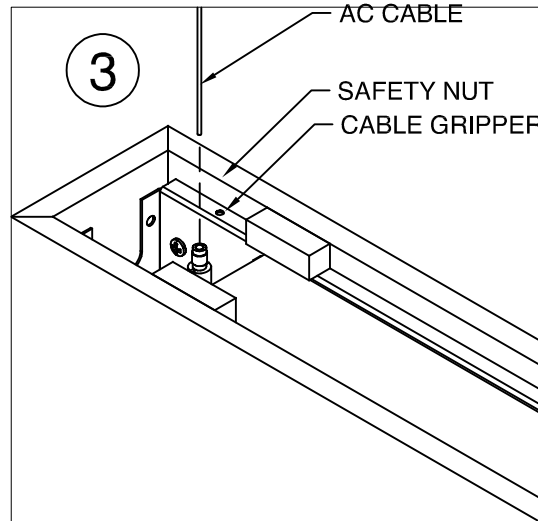
4. HANG NEXT FIXTURE. REMOVE LENSES FROM FIXTURES, **DO NOT MIX LENSES**. CONNECT HARNESS ENDS AND JOIN TO ALREADY HUNG FIXTURE USING SUPPLIED HARDWARE, AND SIDE ALIGNERS. CONTINUE HANGING AND JOINING FIXTURES UNTIL ROW IS COMPLETE.

5. SEE NEXT PAGE FOR POWER FEED INSTALLATION



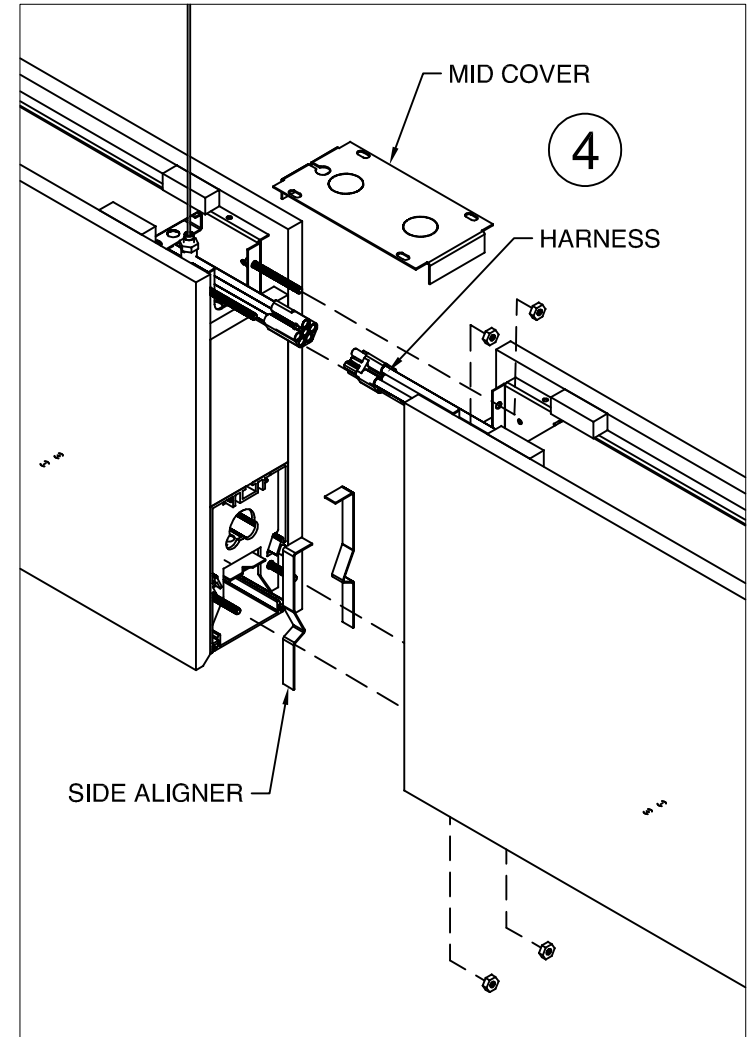
2

CABLE GRIPPER



3

AC CABLE
SAFETY NUT
CABLE GRIPPER



4

MID COVER
HARNESS
SIDE ALIGNER

IMPORTANT: THE NATIONAL ELECTRIC CODE REQUIRES THAT ANY FIXTURE IN EXCESS OF 50 POUNDS MUST BE INDEPENDENTLY SUPPORTED OF THE OUTLET BOX. DAY-O-LITE IS NOT RESPONSIBLE FOR INADEQUATE REINFORCEMENT OF STRUCTURAL SUPPORT SYSTEMS. BE SURE TO UNDERSTAND ALL PROCEDURES PRIOR TO INSTALLATION. ROW CONFIGURATIONS ARE JOB SPECIFIC, CONSULT SHOP DRAWINGS BEFORE CONSTRUCTING ROWS. DAY-O-LITE RESERVES THE RIGHT TO MAKE ANY MECHANICAL OR MATERIAL CHANGES TO THE FIXTURES WHICH DO NOT AFFECT THE APPEARANCE OR PERFORMANCE. THIS PRINT IS THE PROPERTY OF DAY-O-LITE AND THE INFORMATION IT CONTAINS MAY NOT BE USED WITHOUT WRITTEN CONSENT OF DAY-O-LITE.

PART NUMBER:
970117A0

MODEL NO:
PRFL-XX-D/DI-ACT----

PAGE:
SHEET 1 OF 2

ISSUED ON:
3/1/21


CONTACT INFORMATION:
126 Chestnut Street, Warwick, RI 02888
Tel. (401) 467-8232 | Fax. (401) 941-2960
E-mail: sales@dayolite.com
WWW: http://www.dayolite.com

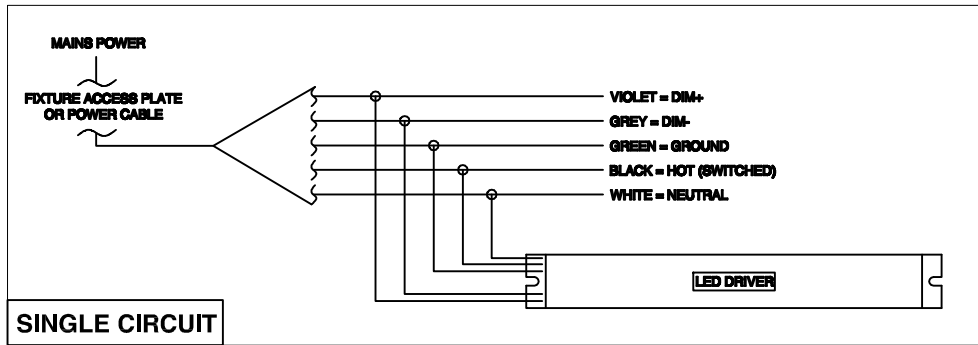
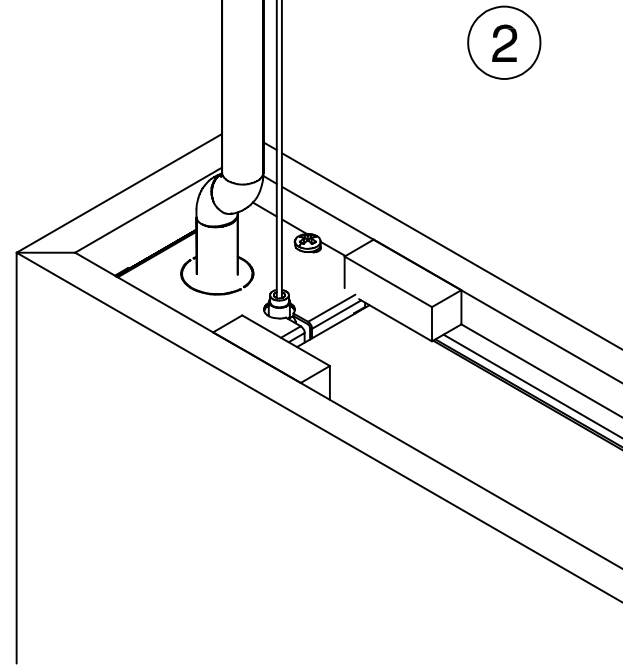
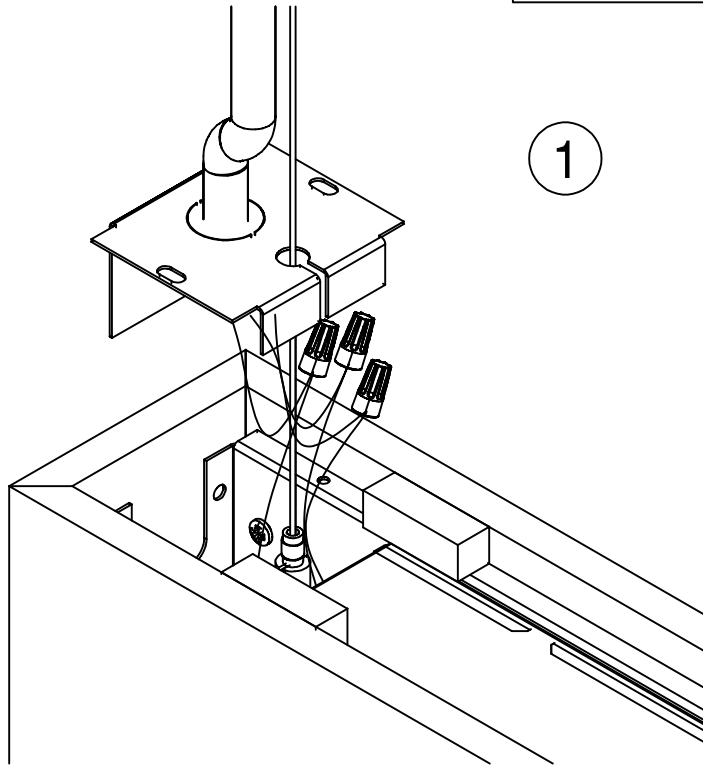


PRFL-D/DI ACOUSTIC FIXTURE INSTALLATION

 DO NOT CONSTRUCT ROW ON FLOOR & LIFT TO CEILING.

 RISK OF ELECTRICAL SHOCK. DISCONNECT POWER BEFORE INSTALLATION OR SERVICING.

 TO BE INSTALLED BY A QUALIFIED ELECTRICIAN IN ACCORDANCE TO LOCAL & NATIONAL ELECTRIC CODES.



1. INSTALL POWER FEED
 - FEED POWER FEED CORD THROUGH HOLE IN END COVER.
 - USE APPROPRIATE STRAIN RELIEF TO SECURE CORD IN FIXTURE AS REQUIRED BY LOCAL ELECTRICAL CODES (BY OTHERS).
 - CONNECT POWER FEED CONDUCTORS TO APPROPRIATE WIRES OF FIXTURE. REFER TO JOB DRAWINGS FOR WIRE FEED DESIGNATIONS.
 - STANDARD WIRING SHOWN BELOW---
2. REINSTALL END COVER.

PART NUMBER:
970117A0

IMPORTANT: THE NATIONAL ELECTRIC CODE REQUIRES THAT ANY FIXTURE IN EXCESS OF 50 POUNDS MUST BE INDEPENDENTLY SUPPORTED OF THE OUTLET BOX. DAY-O-LITE IS NOT RESPONSIBLE FOR INADEQUATE REINFORCEMENT OF STRUCTURAL SUPPORT SYSTEMS. BE SURE TO UNDERSTAND ALL PROCEDURES PRIOR TO INSTALLATION. ROW CONFIGURATIONS ARE JOB SPECIFIC, CONSULT SHOP DRAWINGS BEFORE CONSTRUCTING ROWS. DAY-O-LITE RESERVES THE RIGHT TO MAKE ANY MECHANICAL OR MATERIAL CHANGES TO THE FIXTURES WHICH DO NOT AFFECT THE APPEARANCE OR PERFORMANCE. THIS PRINT IS THE PROPERTY OF DAY-O-LITE AND THE INFORMATION IT CONTAINS MAY NOT BE USED WITHOUT WRITTEN CONSENT OF DAY-O-LITE.

MODEL NO.:
PRFL-XX-D/DI-ACT----

PAGE:
SHEET 2 OF 2

ISSUED ON:
3/1/21

CONTACT INFORMATION:
126 Chestnut Street, Warwick, RI 02888
Tel. (401) 467-8232 | Fax. (401) 941-2960
E-mail: sales@dayolite.com
WWW: http://www.dayolite.com

