

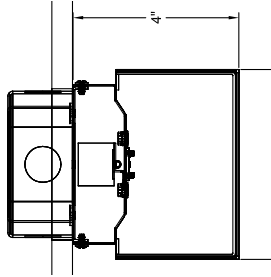
Date	Notes
Project	
Type Qty	

### Features

- LED optimized optics for smooth, efficient illumination.
- Programmable driver for custom lumen packages.
- 0-10V dimming to 1% standard or Dim-to-Off.
- DMX, Lutron and DALI protocols also available.
- Sensor Ready for wireless Smart Lighting Solutions.
- 80/90CRI, Tunable White, RGBW & RGBWW.
- Bios SkyBlue™ circadian solutions available.
- Compatible with Armstrong® ceiling systems.
- Decorative Sky Panel lenses available.

**Declare** Red List Approved.

**ADA** compliant luminaire.



### Ordering Guide



MODEL	OPTICS	CCT <sup>1</sup>	LUMENS <sup>2</sup>	SIZE	MOUNTING <sup>3</sup>	FINISH	OPTIONS
<b>IRSL-DI</b>	<b>WOA</b>						
IRSL Direct/Indirect	WOA = White Opal Acrylic	<p><b>ALL SIZES:</b></p> <p><b>STATIC WHITE<sup>1</sup></b>                      27 = 2700K                      30 = 3000K                      35 = 3500K                      40 = 4000K                      50 = 5000K</p> <p><b>3' &amp; 4' ONLY:</b></p> <p><b>BIOS SkyBlue</b>                      Spectrally optimized circadian solutions.</p> <p><b>TUNABLE WHITE</b>                      (2700K-6500K)                      2DIM10 = for 0-10V                      2DMX = for DMX                      2ESN = for Philips                      2CAS = for Casambi                      2LUT = for Lutron</p> <p><b>DIM-TO-WARM</b>                      (2700K-6500K)                      DTW = Dim-to-Warm</p>	<p><b>2'</b></p> <p>LO = 1500 (11W, 136LPW)                      SO = 1885 (14W, 134LPW)                      HO = 2355 (18W, 130LPW)</p> <p><b>3'</b></p> <p>LO = 2150 (15W, 144LPW)                      SO = 2856 (20W, 143LPW)                      HO = 3571 (26W, 137LPW)</p> <p><b>4'</b></p> <p>LO = 2877 (20W, 144LPW)                      SO = 3835 (27W, 142LPW)                      HO = 4792 (35W, 136LPW)</p> <p><b>CUSTOM</b>                      For custom lumens specify value &lt; HO.</p>	<p>2 = 2'</p> <p>3 = 3'</p> <p>4 = 4'</p>	<p>WM = Wall Mount</p>	<p>W = White</p> <p>CC = Custom Color</p> <p>End caps maybe be different finish than housing. Consult factory for details.</p>	<p>DIM10 = 0-10V (1%) Standard</p> <p><b>DIMMING DRIVERS</b>                      DIM10 = 0-10V (1%) Standard                      DTO = 0-10V (Dim-to-Off)                      DIMST = 0-10V Step Dimming                      DIMSR = DALI Sensor Ready (5.0%)                      DALI = DALI (5.0%)                      DMX = DMX</p> <p><b>LUTRON™ DIMMING DRIVERS</b>                      LDE1 = Hi-Lume 1% EcoSystem                      LD2 = Digital 1% (DALI-2)                      L3DA3W = Hi-Lume 1% 3-Wire</p> <p><b>EMERGENCY<sup>5</sup></b>                      EMC = Emergency Circuit                      GTD = Generator Transfer Device                      EPC4 = 4W Emergency Battery                      EPC6 = 6.5W Emergency Battery                      EPC10 = 10W Emergency Battery                      EPC12 = 12W Emergency Battery</p> <p><b>WIRING</b>                      FWH = Flexible Wiring Harness</p>

<sup>1</sup>All LED, BIOS, Tunable White, and DTW options and Ordering Codes page 3.

<sup>2</sup>Lumens at 80CRI, 3500K, WOA lens. Photometry page 2.

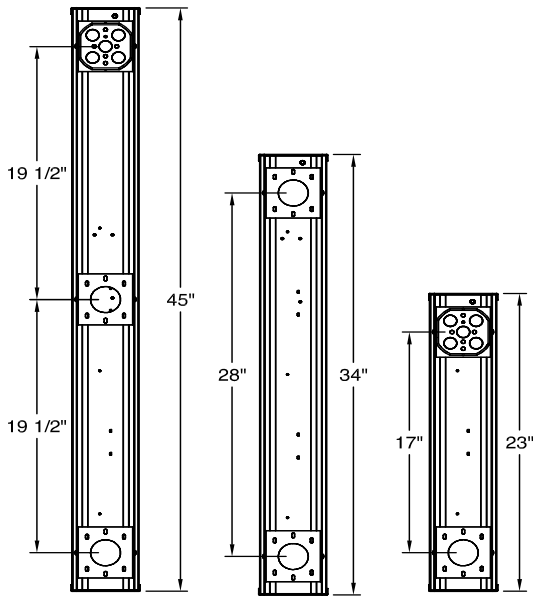
<sup>3</sup>See page 4 for all mounting options.

<sup>4</sup>All Sensor & Control options page 3.

<sup>5</sup>EPC6 is standard unless otherwise specified. EPC for 4' only.

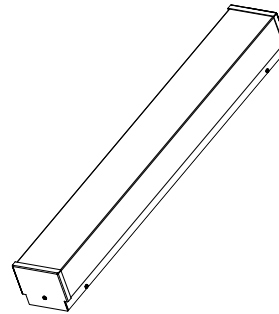
**BAA** letter of compliance available at [www.dayolite.com](http://www.dayolite.com).

### Dimensions



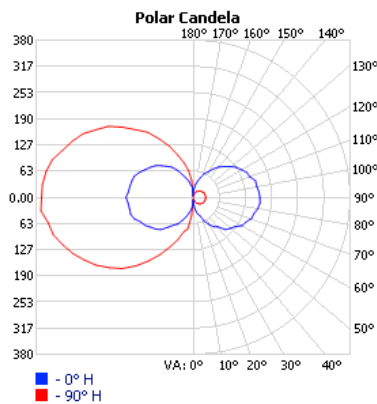
NOMINAL LENGTH	ACTUAL LENGTH	MTNG. 1 O.C.	MTNG. 2 O.C.
2'	23"	17"	
3'	34"	28"	
4'	45"	19-1/2"	19-1/2"

**MOUNTING:** Standard installation is wall mount (vertical or horizontal) with included mounting brackets and hardware. Requires single-gang j-box supplied by others.

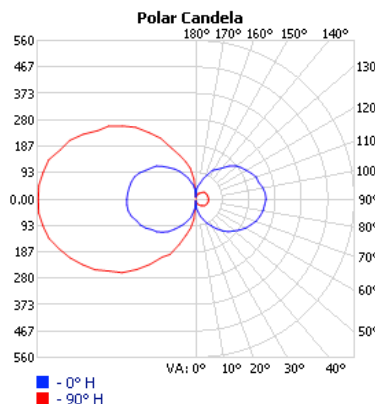


### Photometry

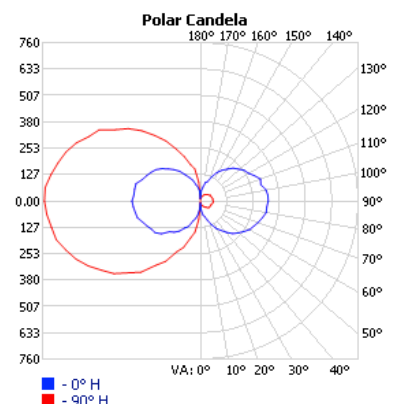
SIZE	LO LUMENS	LO WATTS	LO LPW	SO LUMENS	SO WATTS	SO LPW	HO LUMENS	HO WATTS	HO LPW
2'	1500	11	136	1885	14	134	2355	18	130
3'	2150	15	144	2856	20	143	3571	26	137
4'	2877	20	144	3835	27	142	4792	35	136



2' = 95% Direct, 5% Indirect



3' = 95% Direct, 5% Indirect



4' = 95% Direct, 5% Indirect

3500K @ 80CRI, WOA lens.

Use the following multipliers for other CCTs: 2700K x 0.96, 3000K x 0.98, 4000K x 1.02, 5000K x 1.03. IES files @ [www.dayolite.com](http://www.dayolite.com)

## LED, BIOS, Sensor & Control Ordering Codes

### LED

#### Static White

30 = 3000K 80 CRI  
 35 = 3500K 80 CRI  
 40 = 4000K 80 CRI  
 50 = 5000K 80 CRI

927 = 2700K 90 CRI  
 930 = 3000K 90 CRI  
 935 = 3500K 90 CRI  
 940 = 4000K 90 CRI

#### Tunable White<sup>1</sup> (2700K-6500K)

2DIM10 = 0-10V 80 CRI  
 2DMX = DMX 80 CRI  
 2CAS = Casambi Wireless 80 CRI  
 2ESN = Philips EasySense 80 CRI  
 2LUT = Lutron (LD2) 80 CRI

92DIM10 = 0-10V 90 CRI  
 92DMX = DMX 90 CRI  
 92CAS = Casambi Wireless 90 CRI  
 92ESN = Philips EasySense 90 CRI  
 92LUT = Lutron (LD2) 90 CRI

#### Dim-to-Warm<sup>2</sup>

DTW = 6500K-2700K 80 CRI  
 9DTW = 6500K-2700K 90 CRI

#### Single Color

RED = Red  
 BLU = Blue  
 GRN = Green  
 AMB = Amber

### BIOS SkyBlue



#### BIOS Biological Static

For daytime applications. BIOS Static Biological LED features key BIOS SkyBlue (490nm) for maximum daytime circadian impact.

B30 = 3000K  
 B35 = 3500K  
 B40 = 4000K

#### BIOS Biological Dynamic White

Designed to transition from daytime to evening in a dim-to-warm protocol. The daytime CCT includes full BIOS SkyBlue (490nm) for maximum daytime circadian impact, while the evening spectrum removes BIOS SkyBlue for minimal circadian stimulus after hours.

B30D = 3000K-2700K  
 B35D = 3500K-3000K  
 B40D = 4000K-3500K

#### BIOS Biological Tunable White

Designed to transition from daytime to evening in a tunable white protocol. The daytime CCT includes full BIOS SkyBlue (490nm) for maximum daytime circadian impact, while the evening spectrum removes BIOS SkyBlue for minimal circadian stimulus after hours.

B30T = 3000K-2700K  
 B35T = 3500K-2700K  
 B40T = 4000K-2700K

### Sensors & Controls

#### Sensors\*

AVO = Avi-On Occ/Day  
 AVM = Avi-On Occ (Microwave)  
 BNV = BubblyNet Occ/Day  
 ENC = Encelium Occ/Day  
 ENL = EnLighted Occ/Day/Temp  
 LEG = Legrand Occ/Day  
 ANW = Lutron Athena Occ/Day  
 VIVE = Lutron Vive Occ/Day  
 NLT = Acuity nLight Occ/Day  
 NXC = Current NX Occ/Day  
 ESN = Philips EasySense Occ/Day  
 WWL = Cooper WaveLinX Occ/Day

#### Wireless Control

CAS = Casambi

\*Sensors for remote mount only.

Sensors and control options to be commissioned wirelessly in the field by qualified controls personnel with applicable apps (by others).

#### Other Options

Other sensor and wireless control options are available. Contact factory for details.

## Specifications

**CONSTRUCTION:** 20 gauge CRS housing and internal components.

**REFLECTOR:** Die-formed steel finished in highly reflective baked white enamel with pre-finished reflective LED tray.

**OPTICS:** LED optimized snap-in opal white opal acrylic lens is standard.

**LED:** Static white LED modules in 27/30/35/40 & 50K CCT, 80/90CRI. Lumen maintenance minimum  $L_{70}$  = 50,000 hours. 3 SDCM color consistency. BIOS SkyBlue, RGB, RGBW, RGBWW. Tunable White and Dim-to-Warm options available.

**DRIVER:** Standard driver is Class 2 AOC 0-10V to 1%, 120/277V input, PF > 90%, THD < 20 @ 120V. Additional dimming protocols available. Drivers prewired from factory for connection to control system (by others); field replaceable.

**MOUNTING:** Standard installation is wall mount with included mounting brackets and hardware. Requires single-gang j-box supplied by others.

**FINISH:** Housing and components finished in baked white enamel. Canopies and pendant stems are white enamel unless otherwise specified.

**CERTIFICATION:** cETLus listed conforming to UL STD. 1598 and certified to CSA STD C22.2 NO. 250.0. Suitable for dry & damp locations. Union Made in the United States of America, I.B.E.W, ADA & BAA compliant, Declare Red List Approved.

**LEGAL:** Day-O-Lite, a division of SCW Corporation. All rights reserved. The Day-O-Lite logo is a registered trademark of SCW Corporation. Day-O-Lite reserves the right to change specifications without notice for product improvement.