



WPPL Series | WPPL-4/5/6 Perimeter

Date	Notes
Project	
Type	Qty

Features

- Regressed perimeter slot in 4", 5" and 6" apertures.
- Innovative telescoping LED tray for wall-to-wall illumination.
- Field adjustable to 4", 5" or 6" aperture widths.
- Installs in all grid, or plaster ceilings, Flanged or Trimless.
- Programmable driver for custom lumen packages.
- 0-10V dimming to 1% standard. Dim-to-off available.
- DMX, Lutron and DALI protocols also available.
- Sensor Ready for wireless Smart Lighting Solutions.
- 80/90CRI, Tunable White, RGBW & RGBWW.
- Bios SkyBlue™ circadian solutions available.



Telescoping housing & LED tray adjusts 14"

Declare Red List Approved.

Ordering Guide



MODEL	OPTICS	CCT ¹	LUMENS ²	LENGTH	MOUNTING ³	FINISH	OPTIONS
WPPL-4 = 4" Direct Perimeter WPPL-5 = 5" Direct Perimeter WPPL-6 = 6" Direct Perimeter	SI = Satin Ice Acrylic CO = Continuous Lens (50' max) CM = Collimating Lens AS = Asymmetric Lens	STATIC WHITE 27 = 2700K 30 = 3000K 35 = 3500K 40 = 4000K 50 = 5000K	4" LO = 485/ft (5W/ft, 97LPW) SO = 645/ft (7W/ft, 95LPW)	2 = 2 ft 3 = 3 ft 4 = 4 ft 5 = 5 ft 6 = 6 ft 7 = 7 ft 8 = 8 ft For other enter row length (e.g. 48 = 48 ft)	G = Grid 15/16" T-Bar MG = Mini Grid 9/16" T-Bar SG = Slot Grid SGF = Slot Grid Flush XG = Interlude XGF = Interlude Flush TGF = Tegular Flush 15/16" T-Bar XGF = Tegular Flush 9/16" T-Bar F = Flange TRL = Trimless	W = White CC = Custom Color AMW = Anti-Microbial White	DIMMING DRIVERS DIM10 = 0-10V (1%) - Standard DTO = 0-10V (Dim-to-Off) DIMST = 0-10V Step Dimming 347 = 0-10V (347V) DIMSR = DALI Sensor Ready (5.0%) DALI = DALI (5.0%) DMX = DMX LUTRON™ DIMMING DRIVERS LDE1 = Hi-Lume 1% EcoSystem LD2 = Digital 1% (DALI-2) L3DA3W = Hi-Lume 1% 3-Wire SENSORS & CONTROLS⁴ AVO = Avi-On Sensor AWNS = Lutron Athena Sensor ESN = EasySense Sensor CAS = Casambi Wireless Control EMERGENCY⁵ EMC = Emergency Circuit GTD = Generator Transfer Device EPC4 = 4W Emergency Battery EPC6 = 6.5W Emergency Battery EPC10 = 10W Emergency Battery EPC12 = 12W Emergency Battery WIRING FWH = Flexible Wiring Harness DWH = DMX Wiring Harness
		BIOS SkyBlue Spectrally optimized circadian solutions.	5" HO = 800/ft (9W/ft, 92LPW)				
		TUNABLE WHITE (2700K-6500K) 2DIM10 = for 0-10V 2DMX = for DMX 2ESN = for Philips 2CAS = for Casambi 2LUT = for Lutron DIM-TO-WARM (2700K-6500K) DTW = Dim-to-Warm	6" LO = 515/ft (5W/ft, 103LPW) SO = 685/ft (7W/ft, 101LPW)				
	RGB + WHITE RGB = RGB RGBW = RGBW RGBWW = RGBWW		HO = 850/ft (9W/ft, 98LPW)				
			CUSTOM Specify value < HO				

¹All LED, BIOS, Tunable White, DTW, and RGB/W options and Ordering Codes page 2.

²Lumens at 80CRI, 4000K, SI lens. Photometry page 6.

³See page 4/5 for mounting details.

⁴All Sensor & Control options page 2.

⁵EPC6 is standard unless otherwise specified. EPC not for DMX drivers.

BAA letter of compliance available at www.dayolite.com.

RS 10 Day Rapid Ship options in **blue**. Details page 7.

LED, BIOS, Sensor & Control Ordering Codes

LED

Static White

30 = 3000K 80 CRI
 35 = 3500K 80 CRI
 40 = 4000K 80 CRI
 50 = 5000K 80 CRI

927 = 2700K 90 CRI
 930 = 3000K 90 CRI
 935 = 3500K 90 CRI
 940 = 4000K 90 CRI

Tunable White¹ (2700K-6500K)

2DIM10 = 0-10V 80 CRI
 2DMX = DMX 80 CRI
 2CAS = Casambi Wireless 80 CRI
 2ESN = Philips EasySense 80 CRI
 2LUT = Lutron (LD2) 80 CRI

92DIM10 = 0-10V 90 CRI
 92DMX = DMX 90 CRI
 92CAS = Casambi Wireless 90 CRI
 92ESN = Philips EasySense 90 CRI
 92LUT = Lutron (LD2) 90 CRI

Dim-to-Warm²

DTW = 6500K-2700K 80 CRI
 9DTW = 6500K-2700K 90 CRI

RGB/W³

RGB = RGB only
 RGB27 = RGB w/2700K
 RGB30 = RGB w/3000K
 RGB35 = RGB W/3500K
 RGB40 = RGB w/4000K
 RGB50 = RGB w/5000K
 RGBWW = RGB w/2700K-6500K

Single Color⁴

RED = Red
 BLU = Blue
 GRN = Green
 AMB = Amber

BIOS SkyBlue

BIOS SkyBlue biological technology brings the benefits of blue skies inside. BIOS SkyBlue is the only spectrally optimized circadian solution to target the region that drives wellness benefits including increased alertness, enhanced productivity, better mood, and better sleep. More information may be found at www.bioslighting.com or by contacting Day-O-Lite directly. All options for 0-10V control.

BIOS Biological Static

For daytime applications. BIOS Static Biological LED features key BIOS SkyBlue (490nm) for maximum daytime circadian impact.

B30 = 3000K
 B35 = 3500K
 B40 = 4000K

BIOS Biological Dynamic White

Designed to transition from daytime to evening in a dim-to-warm protocol. The daytime CCT includes full BIOS SkyBlue (490nm) for maximum daytime circadian impact, while the evening spectrum removes BIOS SkyBlue for minimal circadian stimulus after hours.

B30D = 3000K-2700K
 B35D = 3500K-3000K
 B40D = 4000K-3500K

BIOS Biological Tunable White

Designed to transition from daytime to evening in a tunable white protocol. The daytime CCT includes full BIOS SkyBlue (490nm) for maximum daytime circadian impact, while the evening spectrum removes BIOS SkyBlue for minimal circadian stimulus after hours.

B30T = 3000K-2700K
 B35T = 3500K-2700K
 B40T = 4000K-2700K

Sensors & Controls

Sensors*

AVO = Avi-On Occ/Day
 AVM = Avi-On Occ (Microwave)
 BNV = BubblyNet Occ/Day
 ENC = Encelium Occ/Day
 ENL = EnLighted Occ/Day/Temp
 LEG = Legrand Occ/Day
 ANW = Lutron Athena Occ/Day
 VIVE = Lutron Vive Occ/Day
 NLT = Acuity nLight Occ/Day
 NXC = Current NX Occ/Day
 ESN = Philips EasySense Occ/Day
 WWL = Cooper WaveLinx Occ/Day

Wireless Control

CAS = Casambi

*Sensors for remote mount only.

Sensors and control options to be commissioned wirelessly in the field by qualified controls personnel with applicable apps (by others).

Other Options

Other sensor and wireless control options are available. Contact factory for details.

¹Tunable white may be controlled by a number of dimming protocols as shown.

²Dim-to-Warm mimics incandescent dimming by warming the CCT from 6500K to 2700K as light levels are dimmed.

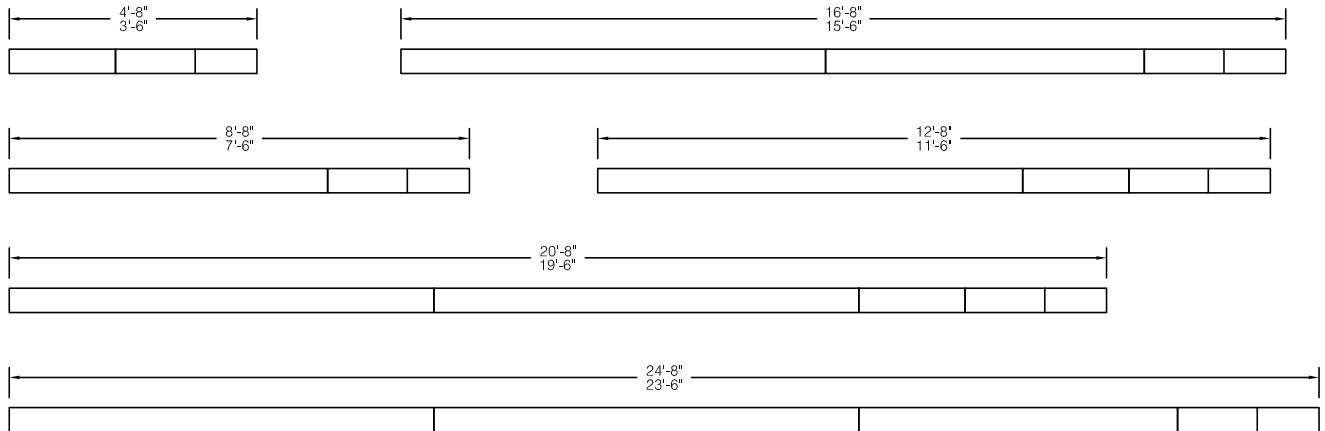
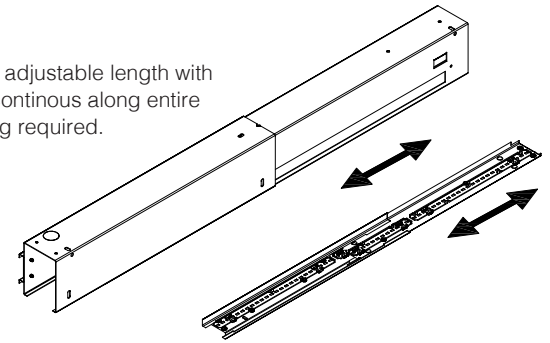
³All RGB, RGBW and RGBWW options for DMX control (by others). 80 CRI standard.

Individual Fixtures & Continuous Rows

NOMINAL LENGTH	MIN LENGTH	MAX LENGTH
4'	3' 6"	4' 8"
6'	5' 6"	6' 8"
8'	7' 6"	8' 8"
12'	11' 6"	12' 6"
16'	15' 6"	16' 8"
20'	19' 6"	20' 8"
24'	23' 6"	24' 8"

Table shows minimum and maximum field adjustable length with included telescoping end. Illumination is continuous along entire 14" telescoping section with no field cutting required.

Exact adjustment lengths are dependant on overall specified length of individual fixture or row. Detail will be noted on factory issued drawings for approval.



EPC/EMC Locations

EPC will control entire length of individual fixtures. Individual fixtures of differing lengths will deliver the same lumens under EPC power (a 4' fixture will deliver the same total lumens over half the length of an 8' fixture). EMC controlled individual fixtures will deliver lumens per foot as originally specified, unless dimmed at time of power loss. Consult factory for EMC dimming override device.

4' Individual

8' Individual

For individual fixtures to 8' EPC/EMC will power entire fixture.

24' Row (3x8')

For continuous rows longer than 8' one EPC/EMC will be located in the feed section (end-left) of the row as shown below.

24' Row (3x8')

If two EPC/EMC's are required their default locations will be in the feed section (end-left) and last section (end-right) as below.

24' Row (3x8')

Custom placement of one or more EPC/EMC's must be clearly identified during ordering.

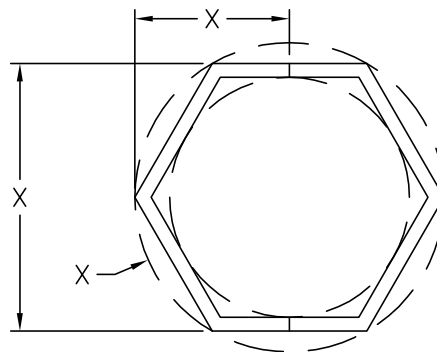
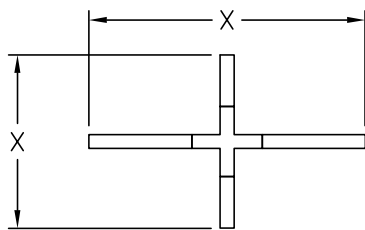
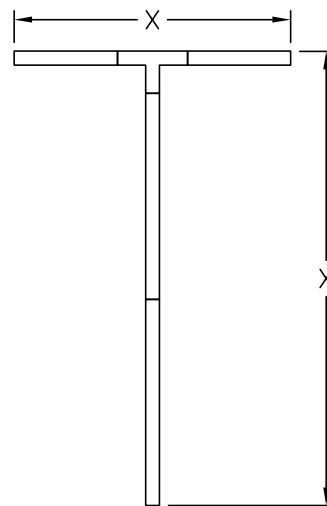
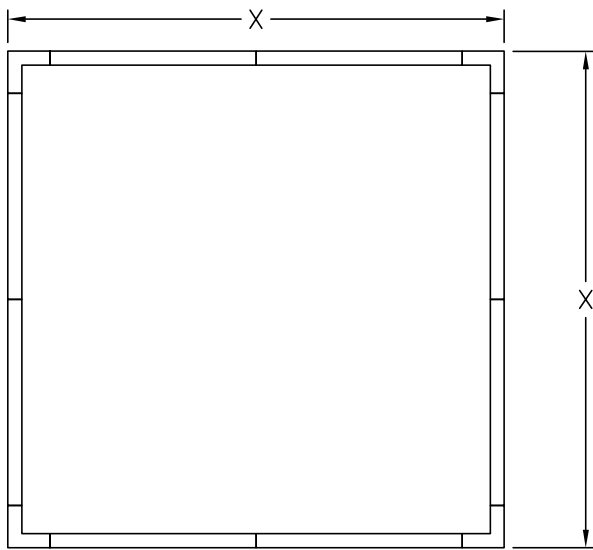
Pattern Guide

WPPL-4/6 may be specified in patterns of virtually any configuration. All patterns and corners are continuously illuminated and joined with included aligner brackets and joining hardware. See examples below for suggestions. Day-O-Lite's custom manufacturing capabilities allow the specification of custom angled connectors to make non-square patterns possible. (See ILX example below).

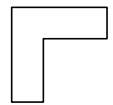
How to Specify

1. Submit your pattern to Day-O-Lite in a dimensioned CAD file or submit a fully dimensioned PDF file.
2. If EPC/EMC or Sensors are to be included their location needs to be clearly noted.
3. Day-O-Lite will design your pattern to as close as is nominally possible given standard LED module lengths, including connectors.
4. Day-O-Lite will supply a detailed drawing for approval with final dimensions. All patterns must be approved prior to manufacture.

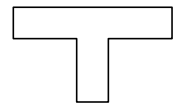
Pattern Examples



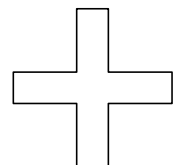
Illuminated Connectors



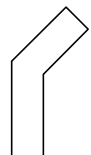
ILC2 = 90° Corner



ILC3 = 90° Tee



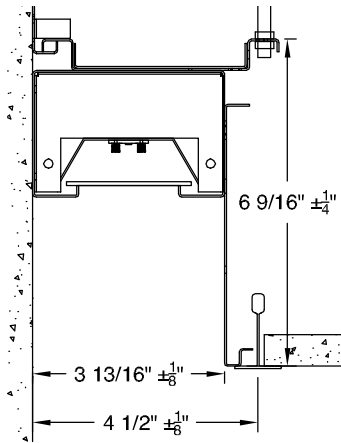
ILC4 = 90° Cross



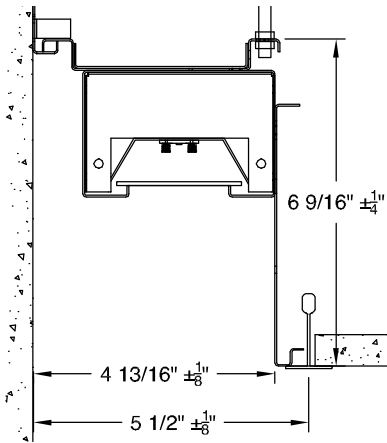
ILCX = X° Custom

Mounting Details

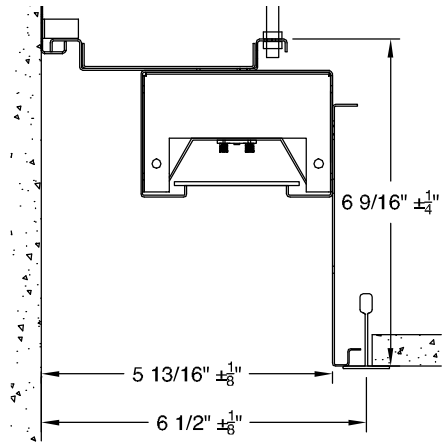
WPPL-4/6 is field adjustable to 4", 5" or 6" widths in both grid and plaster ceilings. Mounting and trim details shown below.



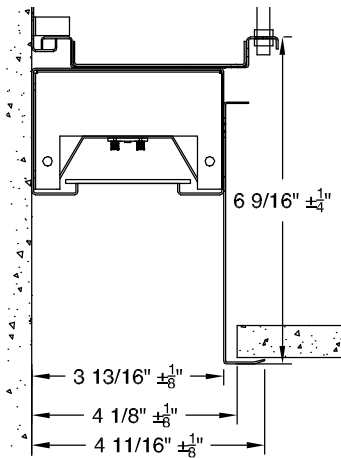
G = Grid 4"



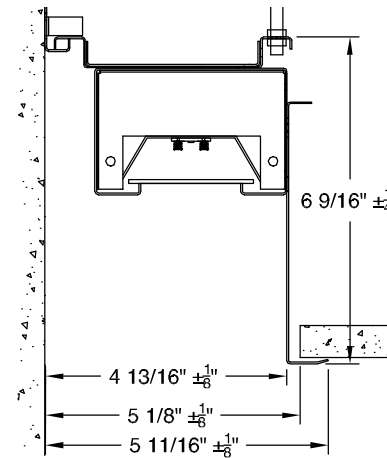
G = Grid 5"



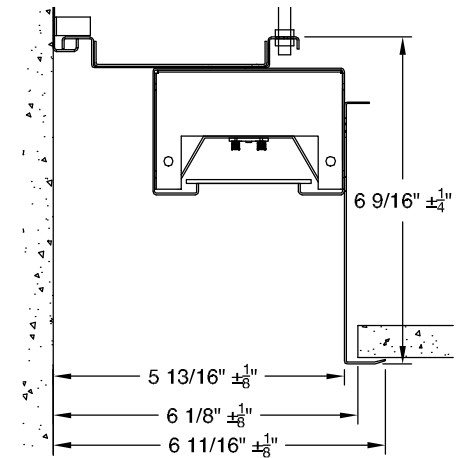
G = Grid 6"



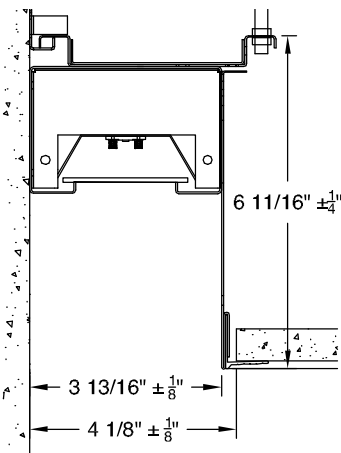
F = Flange 4"
(Drywall Ceiling)



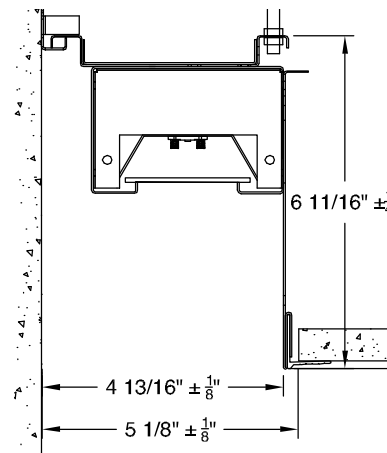
F = Flange 5"
(Drywall Ceiling)



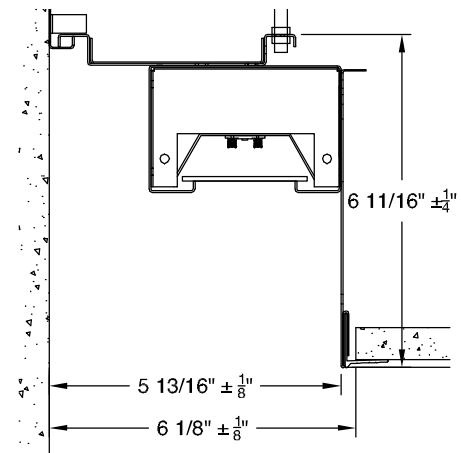
F = Flange 6"
(Drywall Ceiling)



TRL = Trimless 4"
(Drywall Ceiling)

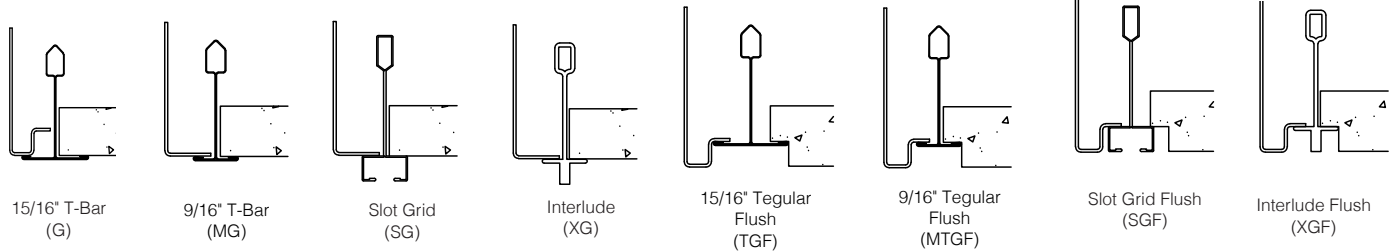


TRL = Trimless 5"
(Drywall Ceiling)



TRL = Trimless 6"
(Drywall Ceiling)

Grid Mounting Options



Photometry

4"		WPPL-4-D-SI-40-LO Satin Ice Lens (SI) 4000K CCT WATTS: 20 LUMENS: 1932 LPW = 97 Distribution: 100% Direct	WPPL-4-D-SI-40-SO Satin Ice Lens (SI) 4000K CCT WATTS: 27 LUMENS: 2571 LPW = 95 Distribution: 100% Direct	WPPL-4-D-SI-40-HO Satin Ice Lens (SI) 4000K CCT WATTS: 35 LUMENS: 3214 LPW = 92 Distribution: 100% Direct
----	--	---	---	---

5"		WPPL-5-D-SI-40-LO Satin Ice Lens (SI) 4000K CCT WATTS: 20 LUMENS: 2004 LPW = 100 Distribution: 100% Direct	WPPL-5-D-SI-40-SO Satin Ice Lens (SI) 4000K CCT WATTS: 27 LUMENS: 2668 LPW = 99 Distribution: 100% Direct	WPPL-5-D-SI-40-HO Satin Ice Lens (SI) 4000K CCT WATTS: 35 LUMENS: 3335 LPW = 94 Distribution: 100% Direct
----	--	--	---	---

6"		WPPL-6-D-SI-40-LO Satin Ice Lens (SI) 4000K CCT WATTS: 20 LUMENS: 2051 LPW = 103 Distribution: 100% Direct	WPPL-6-D-SI-40-SO Satin Ice Lens (SI) 4000K CCT WATTS: 27 LUMENS: 2731 LPW = 101 Distribution: 100% Direct	WPPL-6-D-SI-40-HO Satin Ice Lens (SI) 4000K CCT WATTS: 35 LUMENS: 3414 LPW = 98 Distribution: 100% Direct
----	--	--	--	---

4"		WPPL-4-D-CA-40-LO Clear Lens (CA) 4000K CCT WATTS: 20 LUMENS: 2203 LPW = 110 Distribution: 100% Direct	WPPL-4-D-CA-40-SO Clear Lens (CA) 4000K CCT WATTS: 27 LUMENS: 2966 LPW = 109 Distribution: 100% Direct	WPPL-4-D-CA-40-HO Clear Lens (CA) 4000K CCT WATTS: 35 LUMENS: 3708 LPW = 106 Distribution: 100% Direct
----	--	--	--	--

5"		WPPL-5-D-CA-40-LO Clear Lens (CA) 4000K CCT WATTS: 20 LUMENS: 2305 LPW = 115 Distribution: 100% Direct	WPPL-5-D-CA-40-SO Clear Lens (CA) 4000K CCT WATTS: 27 LUMENS: 3065 LPW = 114 Distribution: 100% Direct	WPPL-5-D-CA-40-HO Clear Lens (CA) 4000K CCT WATTS: 35 LUMENS: 3814 LPW = 109 Distribution: 100% Direct
----	--	--	--	--

6"		WPPL-6-D-CA-40-LO Clear Lens (CA) 4000K CCT WATTS: 20 LUMENS: 2363 LPW = 118 Distribution: 100% Direct	WPPL-6-D-CA-40-SO Clear Lens (CA) 4000K CCT WATTS: 27 LUMENS: 3092 LPW = 115 Distribution: 100% Direct	WPPL-6-D-CA-40-HO Clear Lens (CA) 4000K CCT WATTS: 35 LUMENS: 3916 LPW = 112 Distribution: 100% Direct
----	--	--	--	--

4000K @ 80CRI, SI & CA lenses 4'.

Use the following multipliers for other CCTs: 2700K x 0.94, 3000K x 0.96, 3500K x 0.98, 5000K x 1.03. IES files @ www.dayolite.com

Specifications

HOUSING: Die-formed, 20-gauge, cold rolled steel housing. Adjustable LED tray allows for continuous wall-to-wall illumination.

REFLECTOR: Reflector is die-formed, 20-gauge cold rolled steel finished in high gloss white enamel.

OPTICS: Satin Ice acrylic is standard. Continuous acrylic (50' max), asymmetric, collimating, and clear acrylic lenses available.

LED: Static white LED modules in 27/30/35/40 & 50K CCT, 80/90CRI. Lumen maintenance minimum L_{70} = 50,000 hours. 3 SDCM color consistency. BIOS SkyBlue, RGB, RGBW, RGBWW, and Dim-to-Warm options available; field replaceable.

DRIVER: Standard driver is Class 2 AOC 0-10V to 1%, Dim-to-Off available. 120/277V input, PF > 90%, THD < 20 @ 120V. DMX, DALI & Lutron protocols available. All drivers prewired for connection to control system (by others); field replaceable.

MOUNTING: Standard installation is an exposed inverted T-bar ceiling. Fixtures may also be installed in miniature grid, slot grid or drywall/plaster ceilings. Adjustable telescoping housing and LED tray section included for each wall length ordered.

FINISH: Fixture housing and steel components are finished in baked white enamel applied over a five-stage pretreatment process.

CERTIFICATION: cETLus listed conforming to UL STD. 1598 and certified to CSA STD C22.2 NO. 250.0. Suitable for dry & damp locations. Union Made in the United States of America, I.B.E.W, BAA compliant, Declare Red List Approved.

LEGAL: Day-O-Lite, a division of SCW Corporation. All rights reserved. The Day-O-Lite logo is a registered trademark of SCW Corporation. Day-O-Lite reserves the right to change specifications without notice for product improvement.

RS Rapid Ship Program

Rapid Ship products are estimated to ship 10 business days or less from the morning the order is received and confirmed. Linear rows will ship 10 business days or less from the day the layout drawings are approved. Orders confirmed and layouts approved after 12:00 p.m. Eastern Time are estimated to ship 10 days or less from the following business morning. Please refer to complete program Terms & Conditions at www.dayolite.com.

Rapid Ship options are limited to those highlighted in **blue** on the Ordering Guide. 400' max individual or continuous row allowed. Consult factory for additional information.