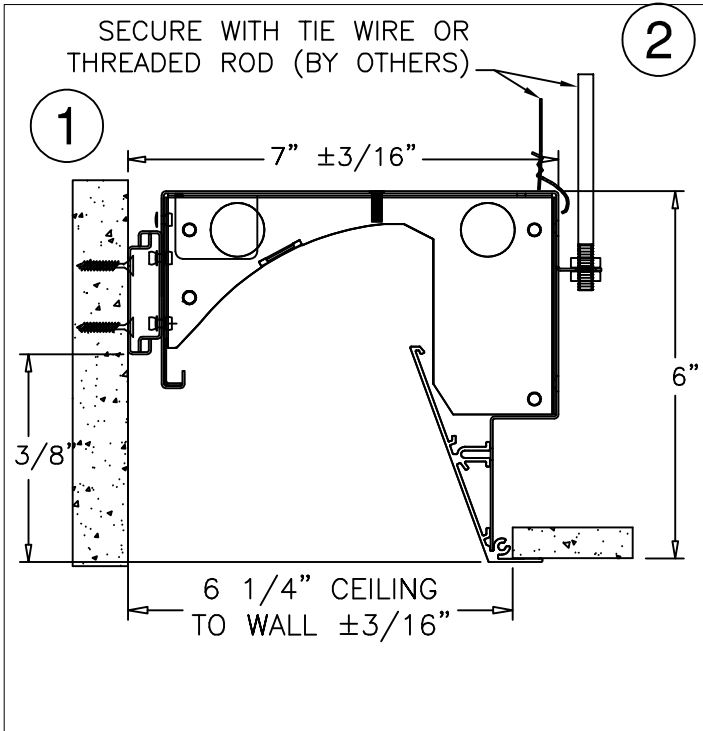


JBL2 GRID/FLANGE FIXTURE INSTALLATION



INSTALLATION OVERVIEW

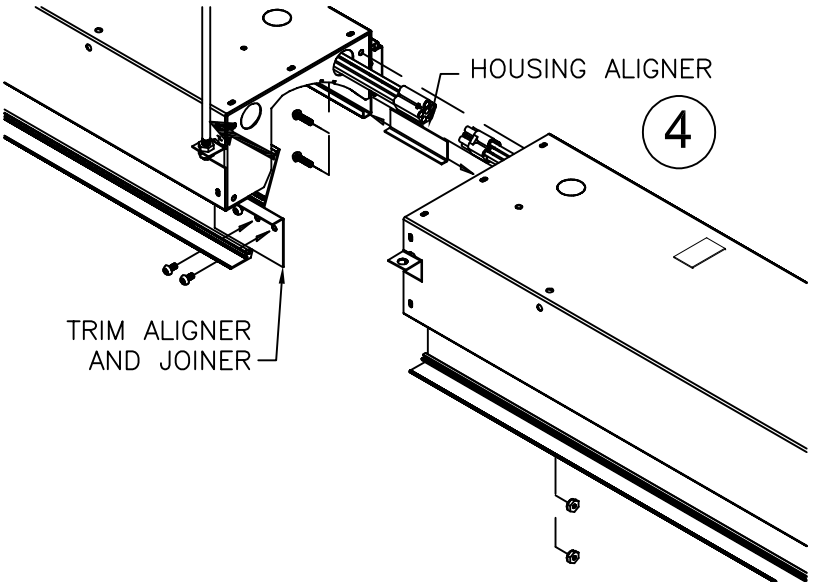
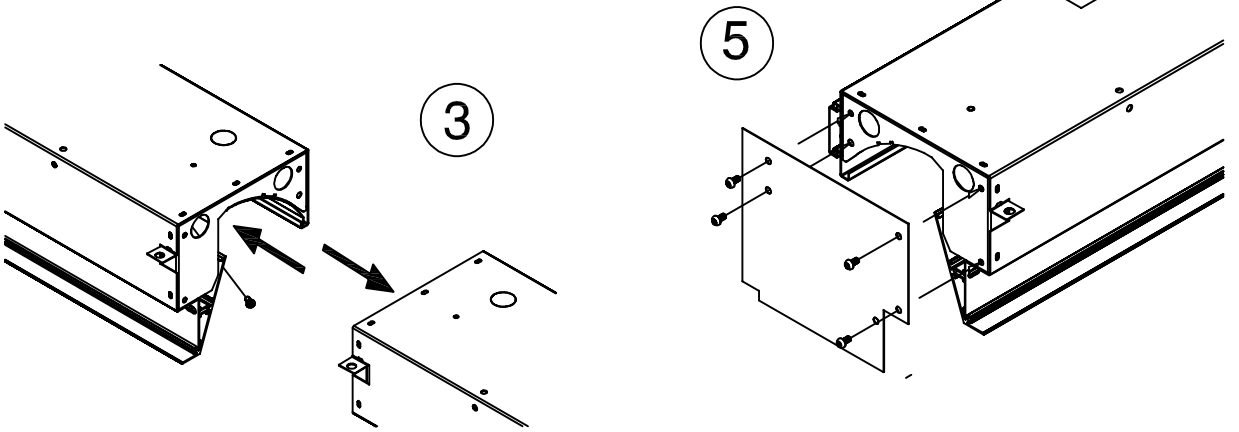
MUST INSTALL PRIOR TO CEILING.

TO BE INSTALLED BY A QUALIFIED ELECTRICIAN IN ACCORDANCE TO LOCAL & NATIONAL ELECTRIC CODES.

RISK OF ELECTRICAL SHOCK. DISCONNECT POWER BEFORE INSTALLATION OR SERVICING.

DO NOT CONSTRUCT ROW ON FLOOR & LIFT TO CEILING.

KEEP ALL PROTECTIVE FILMS ON APPLICABLE SURFACES UNTIL FIXTURES ARE INSTALLED.



INSTALLATION INSTRUCTIONS

1. INSTALL WALL BRACKET AS SHOWN, LEFT TO RIGHT, ACCORDING TO DRAWINGS PROVIDED WITH JOB. WALL BRACKETS ARE TAPED TO EACH FIXTURE. IF PROVIDED, TRIM TELESOPING FIXTURE WALL RAIL TO FIT.
2. PLACE THE FIXTURE OVER THE THE WALL BRACKET AND SECURE IT WITH TIE WIRE
3. INSTALL NEXT FIXTURE IN SAME FASHION. REMOVE SCREWS FROM REFLECTOR AND SLIDE AWAY FROM JOINT AREA.
4. JOIN THE TWO FIXTURES USING THE ALIGNERS AND HARDWARE PROVIDED.
5. ATTACH THE END CAP AT THE BEGINNING AND END OF ROW. NOTE: TRIMMABLE END CAP SHOWN

NOTE: SEE PAGE 2 OF 2 FOR ADJUSTABLE TELESOPING UNIT

PART NUMBER:
970046A1

MUST BE INSTALLED BY A QUALIFIED ELECTRICIAN. DISCONNECT POWER DURING INSTALLATION/SERVICING. ROW CONFIGURATION IS JOB SPECIFIC, CONSULT SHOP DRAWINGS BEFORE CONSTRUCTING ROWS. STANDARD OPTIONS/SIZES SHOWN, OTHER OPTIONS AVAILABLE WITH SIMILAIR INSTALLATION. BE SURE TO UNDERSTAND ALL PROCEDURES PRIOR TO INSTALLATION. IMPORTANT: THE NATIONAL ELECTRIC CODE REQUIRES THAT ANY FIXTURE IN EXCESS OF 50 POUNDS MUST BE INDEPENDENTLY SUPPORTED OF THE OUTLET BOX. DAY-O-LITE IS NOT RESPONSIBLE FOR INADEQUATE REINFORCEMENT OF STRUCTURAL SUPPORT SYSTEMS. DAY-O-LITE RESERVES THE RIGHT TO MAKE ANY MECHANICAL OR MATERIAL CHANGES TO THE FIXTURES WHICH DO NOT AFFECT THE APPEARANCE OR PERFORMANCE. THIS PRINT IS THE PROPERTY OF DAY-O-LITE AND THE INFORMATION IT CONTAINS MAY NOT BE USED WITHOUT WRITTEN CONSENT OF DAY-O-LITE.

MODEL NO.:
JBL2----

CONTACT INFORMATION:
126 Chestnut Street, Warwick, RI 02888
Tel. (401) 467-8232 | Fax. (401) 941-2960
E-mail: sales@dayolite.com
WWW: http://www.dayolite.com

PAGE:
SHEET 1 OF 2

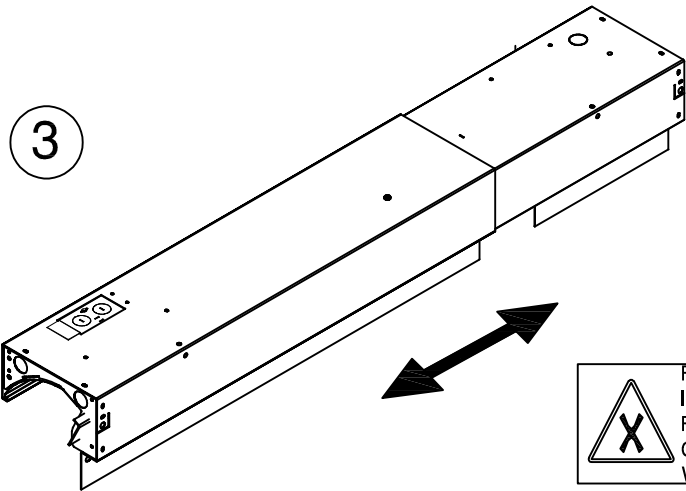
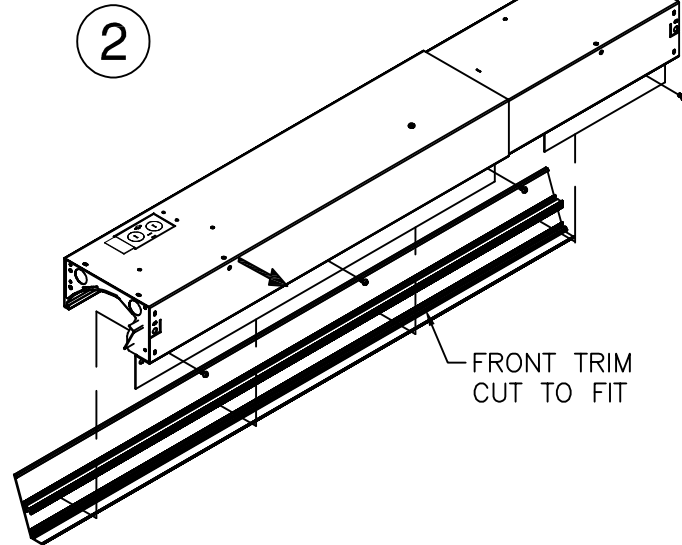
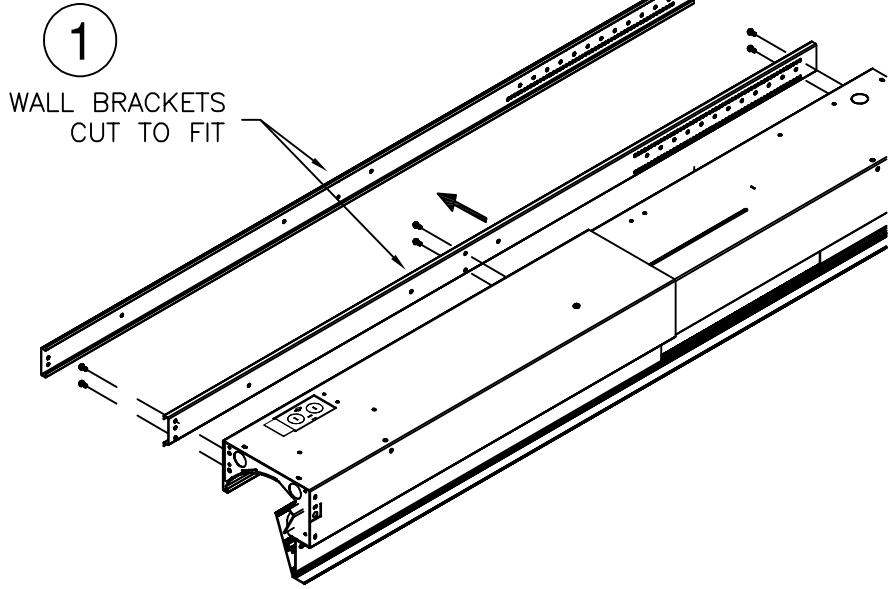
ISSUED ON:
10/29/2020

DAY-O-LITE
Lighting Without Limits

JBL2 GRID/FLANGE FIXTURE INSTALLATION

TELESCOPIC FIXTURE INSTRUCTIONS

 RISK OF ELECTRICAL SHOCK. DISCONNECT POWER BEFORE INSTALLATION OR SERVICING.



INSTALLATION INSTRUCTIONS

1. REMOVE WALL BRACKETS FROM TELE FIXTURE. CUT WALL BRACKETS TO REQUIRED LENGTH TO COMPLETE FIXTURE RUN. SECURE ONE WALL BRACKET TO WALL.
2. REMOVE FRONT TRIM FROM TELE FIXTURE AND CUT TO LENGTH REQUIRED
3. ADJUST TELE HOUSING TO REQUIRED LENGTH TO COMPLETE FIXTURE RUN.
4. RE-INSTALL FRONT TRIM TO FIXTURE USING SCREWS REMOVED IN STEP 2
5. RE-INSTALL WALL TRIM TO FIXTURE USING SCREWS REMOVED IN STEP 1
6. INSTALL END CAP ON FIXTURE END, AND INSTALL FIXTURE INTO RUN AS SHOWN ON PAGE 1

 FAILURE TO COMPLY TO INSTRUCTIONS & FORMENTIONED WARNINGS COULD VOID PRODUCT WARRANTY	 MUST INSTALL PRIOR TO CEILING.	 TO BE INSTALLED BY A QUALIFIED ELECTRICIAN IN ACCORDANCE TO LOCAL & NATIONAL ELECTRIC CODES.
 DAY-O-LITE ASSUMES NO RESPONSIBILITIES FOR CLAIMS FOUNDED FROM IMPROPER INSTALLATION OR HANDLING.	 DO NOT CONSTRUCT ROW ON FLOOR & LIFT TO CEILING.	 KEEP ALL PROTECTIVE FILMS ON APPLICABLE SURFACES UNTIL FIXTURES ARE INSTALLED.

PART NUMBER:
970046A1


MUST BE INSTALLED BY A QUALIFIED ELECTRICIAN. DISCONNECT POWER DURING INSTALLATION/SERVICING. ROW CONFIGURATION IS JOB SPECIFIC, CONSULT SHOP DRAWINGS BEFORE CONSTRUCTING ROWS. STANDARD OPTIONS/SIZES SHOWN, OTHER OPTIONS AVAILABLE WITH SIMILAIR INSTALLATION. BE SURE TO UNDERSTAND ALL PROCEDURES PRIOR TO INSTALLATION. IMPORTANT: THE NATIONAL ELECTRIC CODE REQUIRES THAT ANY FIXTURE IN EXCESS OF 50 POUNDS MUST BE INDEPENDENTLY SUPPORTED OF THE OUTLET BOX. DAY-O-LITE IS NOT RESPONSIBLE FOR INADEQUATE REINFORCEMENT OF STRUCTURAL SUPPORT SYSTEMS. DAY-O-LITE RESERVES THE RIGHT TO MAKE ANY MECHANICAL OR MATERIAL CHANGES TO THE FIXTURES WHICH DO NOT AFFECT THE APPEARANCE OR PERFORMANCE. THIS PRINT IS THE PROPERTY OF DAY-O-LITE AND THE INFORMATION IT CONTAINS MAY NOT BE USED WITHOUT WRITTEN CONSENT OF DAY-O-LITE.

MODEL NO.:
JBL2----

CONTACT INFORMATION:
126 Chestnut Street, Warwick, RI 02888
Tel. (401) 467-8232 | Fax. (401) 941-2960
E-mail: sales@dayolite.com
WWW: http://www.dayolite.com

PAGE:
SHEET 1 OF 2

ISSUED ON:
10/29/2020



DAY-O-LITE
Lighting Without Limits