



# Medical | MEDL-TF 2x4 Exam/Ambient

Date	Notes
Project	
Type	Qty



**Exam Function**  
Up to 9,715 lumens



**Ambient Function**  
Up to 6,580 lumens



**Exam/Ambient**  
Over 16,240 lumens



Direct  
Two Function  
Exam/Ambient

## Features

- Multi-function medical fixture incorporating Exam and Ambient functions.
- Special LED optimized optics for maximum illumination in both functions; Anti-Microbial finish available
- For installation in a wide variety of suspended grid and plaster/drywall ceilings including Armstrong ceilings.
- High efficiency driver for custom lumen packages. 0-10V dimming to 1% standard. Tunable White options available.

## Ordering Guide

MODEL	OPTICS	CCT <sup>1</sup>	LUMENS <sup>3</sup>	SIZE	MOUNTING	FINISH	OPTIONS
<b>MEDL-TF</b>	<b>SA</b>						
MEDL-TF Direct Two Function Exam/Ambient	SA = Satin Ice Acrylic (center lenses with Ribbed Acrylic (outside lenses)	<p><b>STATIC WHITE</b> 27 = 2700K 30 = 3000K 35 = 3500K 40 = 4000K 50 = 5000K</p> <p><b>BIOS SkyBlue<sup>2</sup></b> Spectrally optimized circadian solutions.</p> <p><b>TUNABLE WHITE</b> (2700K-6500K) 2DIM10 = for 0-10V 2DMX = for DMX 2ESN = for Philips 2CAS = for Casambi 2LUT = for Lutron</p> <p><b>DIM-TO-WARM</b> DTW = Dim-to-Warm</p> <p><b>RGB &amp; WHITE</b> RGB = RGB RGBW = RGBW RGBWW = RGBWW (2700K-6500K)</p>	<p>LO = Exam = 7285 Ambient = 4934 E/A = 12,180</p> <p>SO = Exam = 9715 Ambient = 6580 E/A = 16,240</p> <p><b>CUSTOM</b> Specify value &lt; HO.</p>	24 = 2x4	<p>G = Grid MG = Mini Grid SG = Slot Grid F = Flanged (recessed) S = Surface</p> <p>See all mounting options page 2.</p>	<p>W = White CC = Custom Color AMW = Anti-Microbial White AMW finish contains SiverSan™ ionic silver to inhibit the growth of bacteria.</p>	<p><b>DIMMING DRIVERS</b> DIM10 = 0-10V (1%) Standard DTO = 0-10V (Dim-to-Off) DIMST = 0-10V Step Dimming DIMSR = DALI Sensor Ready (5.0%) DALI = DALI (5.0%) DMX = DMX</p> <p><b>LUTRON™ DIMMING DRIVERS</b> LDE1 = Hi-Lume 1% EcoSystem LD2 = Digital 1% (DALI-2) L3DA3W = Hi-Lume 1% 3-Wire</p> <p><b>SENSORS &amp; CONTROLS<sup>4</sup></b> AVO = Avi-On Sensor AWNS = Lutron Athena Sensor ESN = EasySense Sensor CAS = Casambi Wireless Control</p> <p><b>EMERGENCY &amp; OTHER<sup>5</sup></b> EMC = Emergency Circuit GTD = Generator Transfer Device EPC4 = 4W Emergency Battery Pack EPC6 = 6.5W Emergency Battery Pack EPC10 = 10W Emergency Battery Pack EPC12 = 12W Emergency Battery Pack LVC = Low Voltage Controller</p> <p><b>WIRING</b> FWH = Flexible Wiring Harness DWH = DMX Wiring Harness</p>

<sup>1</sup> CCT @ 80+CRI, 3SDCM. For 90CRI add prefix '9'; ex: 935 = 3500K, 90CRI.

<sup>2</sup> BIOS SkyBlue Biological Static & Dynamic page 2.

<sup>3</sup> Photometrics page 3.

<sup>4</sup> All Sensor & Control options page 2.

<sup>5</sup> EPC6 is standard unless otherwise specified. EPC not for DMX drivers.

BAA letter of compliance available at [www.dayolite.com](http://www.dayolite.com).

**LED, BIOS, Sensor & Control Ordering Codes**

**LED**

**Static White**

30 = 3000K 80 CRI  
 35 = 3500K 80 CRI  
 40 = 4000K 80 CRI  
 50 = 5000K 80 CRI

927 = 2700K 90 CRI  
 930 = 3000K 90 CRI  
 935 = 3500K 90 CRI  
 940 = 4000K 90 CRI

**Tunable White<sup>1</sup>**  
 (2700K-6500K)

2DIM10 = 0-10V 80 CRI  
 2DMX = DMX 80 CRI  
 2CAS = Casambi Wireless 80 CRI  
 2ESN = Philips EasySense 80 CRI  
 2LUT = Lutron (LD2) 80 CRI

92DIM10 = 0-10V 90 CRI  
 92DMX = DMX 90 CRI  
 92CAS = Casambi Wireless 90 CRI  
 92ESN = Philips EasySense 90 CRI  
 92LUT = Lutron (LD2) 90 CRI

**Dim-to-Warm<sup>2</sup>**

DTW = 6500K-2700K 80 CRI  
 9DTW = 6500K-2700K 90 CRI

**RGB/W<sup>3</sup>**

RGB = RGB only  
 RGB27 = RGB w/2700K  
 RGB30 = RGB w/3000K  
 RGB35 = RGB W/3500K  
 RGB40 = RGB w/4000K  
 RGB50 = RGB w/5000K  
 RGBWW = RGB w/2700K-6500K

**Single Color**

RED = Red  
 BLU = Blue  
 GRN = Green  
 AMB = Amber

**BIOS SkyBlue**



BIOS SkyBlue biological technology brings the benefits of blue skies inside. BIOS SkyBlue is the only spectrally optimized circadian solution to target the region that drives wellness benefits including: increased alertness, enhanced productivity, better mood, and better sleep. More information may be found at [www.bioslighting.com](http://www.bioslighting.com) or by contacting Day-O-Lite directly. All options for 0-10V control.

**BIOS Biological Static**

For daytime applications. BIOS Static Biological LED features key BIOS SkyBlue (490nm) for maximum daytime circadian impact.

B30 = 3000K  
 B35 = 3500K  
 B40 = 4000K

**BIOS Biological Dynamic White**

Designed to transition from daytime to evening in a dim-to-warm protocol. The daytime CCT includes full BIOS SkyBlue (490nm) for maximum daytime circadian impact, while the evening spectrum removes BIOS SkyBlue for minimal circadian stimulus after hours.

B30D = 3000K-2700K  
 B35D = 3500K-3000K  
 B40D = 4000K-3500K

**BIOS Biological Tunable White**

Designed to transition from daytime to evening in a tunable white protocol. The daytime CCT includes full BIOS SkyBlue (490nm) for maximum daytime circadian impact, while the evening spectrum removes BIOS SkyBlue for minimal circadian stimulus after hours.

B30T = 3000K-2700K  
 B35T = 3500K-2700K  
 B40T = 4000K-2700K

**Sensors & Controls**

**Sensors**

AVO = Avi-On Occ/Day  
 AVM = Avi-On Occ (Microwave)  
 BNV = BubblyNet Occ/Day  
 ENC = Encelium Occ/Day  
 ENL = EnLighted Occ/Day/Temp  
 LEG = Legrand Occ/Day  
 ANW = Lutron Athena Occ/Day  
 VIVE = Lutron Vive Occ/Day  
 NLT = Acuity nLight Occ/Day  
 NXC = Current NX Occ/Day  
 ESN = Philips EasySense Occ/Day  
 WWL = Cooper WaveLinX Occ/Day

**Wireless Control**

CAS = Casambi

Sensors and control options to be commissioned wirelessly in the field by qualified controls personnel with applicable apps (by others).

**Other Options**

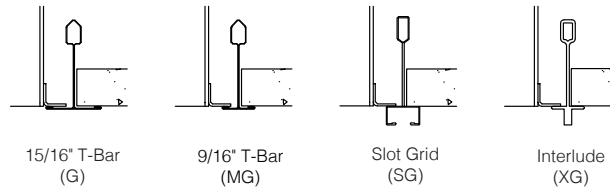
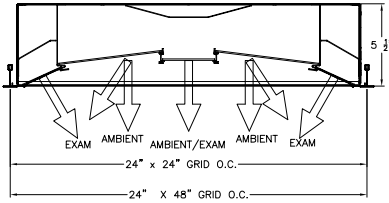
Other sensor and wireless control options are available. Contact factory for details.

<sup>1</sup>Tunable white may be controlled by a number of dimming protocols as shown.

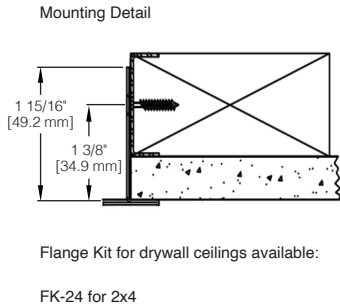
<sup>2</sup>Dim-to-Warm mimics incandescent dimming by warming the CCT from 6500K to 2700K as light levels are dimmed.

<sup>3</sup>All RGB, RGBW and RGBWW options for DMX control (by others). 80 CRI standard.

### Cross Section & Mounting Options

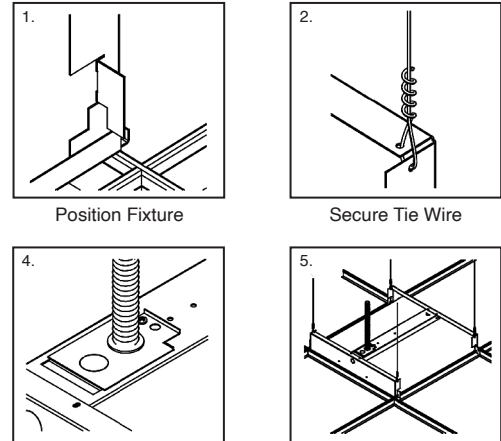


### Drywall Ceiling

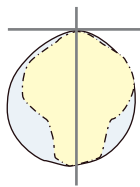


### Grid Ceiling

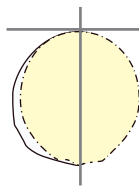
Five-step Universal Installation Sequence.  
*Complete Installation Instructions for grid and drywall ceiling types are available at: [www.dayolite.com](http://www.dayolite.com)*



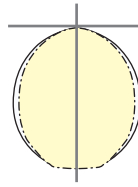
### Photometry



**MEDL-TF-40-SO-24**  
(Exam only)  
CCT: 4000K  
WATTS: 84  
LUMENS: 9715  
LPW: 115  
Distribution:  
100% Direct



**MEDL-TF-SI-40-SO-24**  
(Ambient only)  
CCT: 4000K  
WATTS: 56  
LUMENS: 6580  
LPW: 118  
Distribution:  
100% Direct



**MEDL-TF-SI-40-SO-24**  
(Exam/Ambient)  
CCT: 4000K  
WATTS: 140  
LUMENS: 16,240  
LPW: 116  
Distribution:  
100% Direct

### Specifications

**CONSTRUCTION:** 20 gauge CRS housing and internal components.

**OPTICS:** Standard shielding is LED optimized Satin Ice (SI) acrylic. Diffuser is lift and shift style for easy maintenance.

**LED:** LED modules in 30/35/40 & 50K CCT, 80 CRI (90CRI available). Lumen maintenance  $L_{70}$  = 50,000 hours. 3 SDCM color consistency.

**DRIVER:** Driver is Class 2 AOC 0-10V to 1%, 120/277V input, PF > 90%, THD < 20 @ 120V. Additional dimming protocols available. All drivers prewired from factory for connection to control system (by others). Field replaceable.

**MOUNTING:** Standard installation is in an exposed inverted T-bar ceiling. Fixtures are supplied with four support brackets for additional support to T-bar. May also be installed in a plaster ceiling (F/TRL mounting option with Flange).

**FINISH:** Housing and components finished in baked white enamel.

**CERTIFICATION:** cETLus listed conforming to UL STD. 1598 and certified to CSA STD C22.2 NO. 250.0. Suitable for dry & damp locations. Union Made in the United States of America, I.B.E.W, BAA compliant, Declare Red List Approved.

**LEGAL:** Day-O-Lite, a division of SCW Corporation. All rights reserved. The Day-O-Lite logo is a registered trademark of SCW Corporation. Day-O-Lite reserves the right to change specifications without notice for product improvement.