




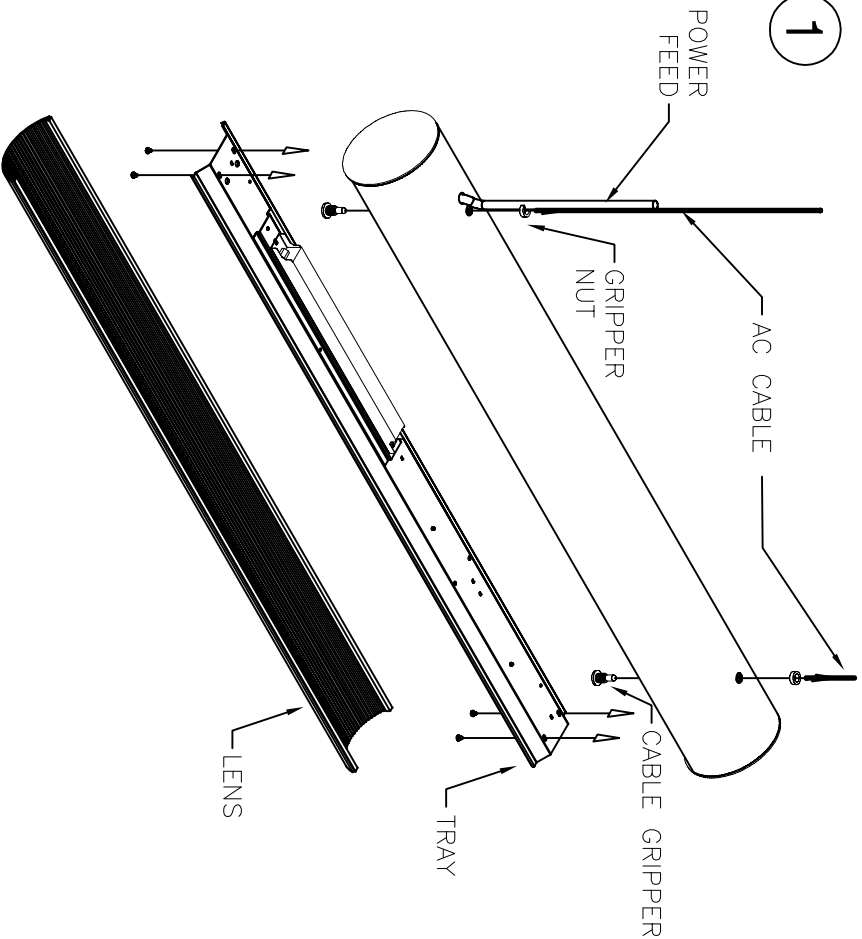


# ADL-R06 DIRECT AC INSTRUCTIONS

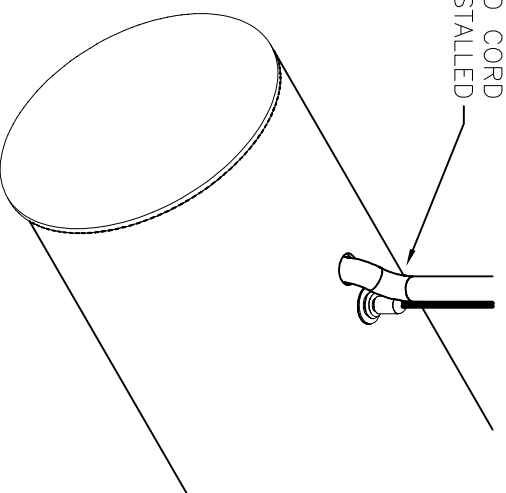
CABLE GRIPPER AND FEED CORD INSTALLED

	<b>RISK OF ELECTRICAL SHOCK. DISCONNECT POWER BEFORE INSTALLATION OR SERVICING.</b>
	<b>TO BE INSTALLED BY A QUALIFIED ELECTRICIAN IN ACCORDANCE TO LOCAL &amp; NATIONAL ELECTRIC CODES.</b>
	<b>REFERENCE SHOP DRAWINGS FOR CRITICAL MOUNTING DIMENSIONS.</b>
	<b>DO NOT CONSTRUCT ROW ON FLOOR &amp; LIFT TO CEILING.</b>
	<b>FAILURE TO COMPLY TO INSTRUCTIONS &amp; FORMENTIONED WARNINGS COULD VOID PRODUCT WARRANTY</b>

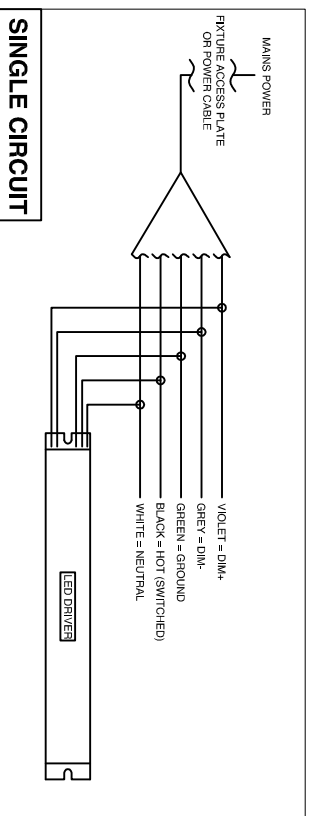
1



2









1. REMOVE LENS AND TRAY. INSTALL FEED CORD AND CABLE GRIPPER INTO HOUSING. HANG FIXTURE. CONNECT AC CABLES TO STRUTURAL CEILING. CONNECT POWER FEED TO MAINS POWER, TYPICAL WIRING DIAGRAM SHOWN. REFER TO JOB DRAWINGS FOR JOB SPECIFIC WIRING
2. FIXTURE HEIGHT CAN BE ADJUSTED USING THE CABLE GRIPPERS. LOOSEN TOP SAFETY CAP OF GRIPPER, ADJUST CABLE LENGTH AND TIGHTEN TOP SAFETY CAP
3. REINSTALL LOWER TRAY
4. REINSTALL LENS

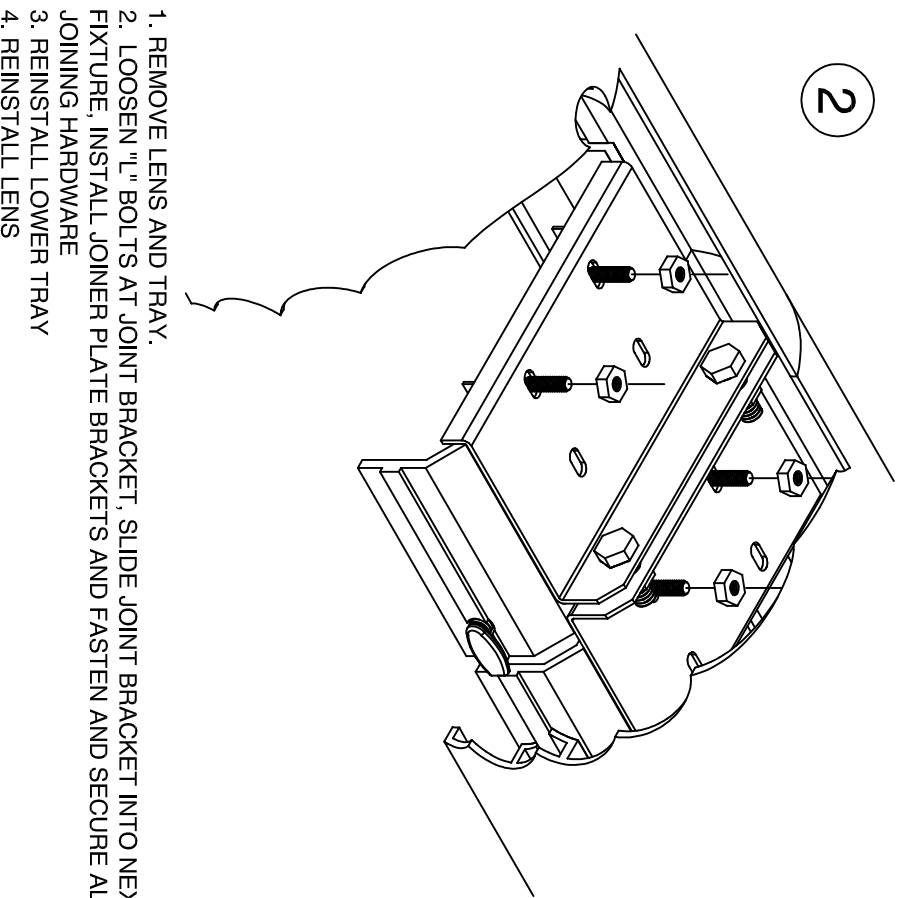
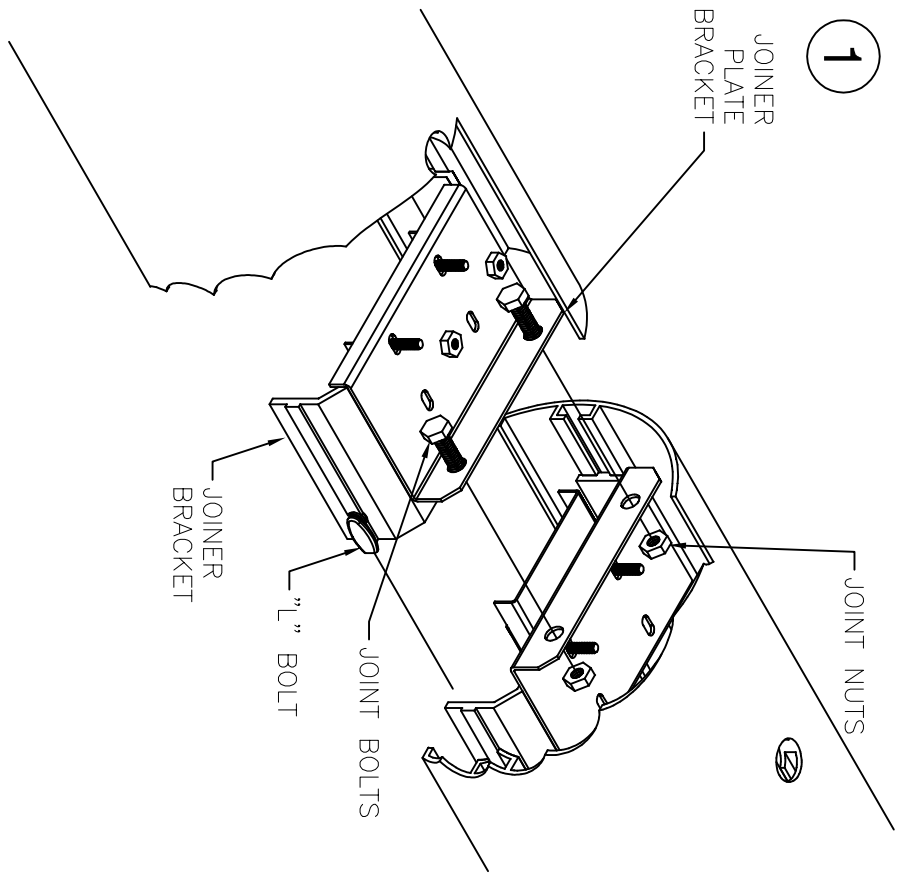


MUST BE INSTALLED BY A QUALIFIED ELECTRICIAN. DISCONNECT POWER DURING INSTALLATION/SERVICING. ROW CONFIGURATION IS JOB SPECIFIC. CONSULT SHOP DRAWINGS BEFORE CONSTRUCTING ROWS. STANDARD OPTIONS/SIZES SHOWN. OTHER OPTIONS AVAILABLE WITH SIMILAR INSTALLATION. BE SURE TO UNDERSTAND ALL PROCEDURES PRIOR TO INSTALLATION. IMPORTANT: THE NATIONAL ELECTRIC CODE REQUIRES THAT ANY FIXTURE IN EXCESS OF 50 POUNDS MUST BE INDEPENDENTLY SUPPORTED OF THE OUTLET BOX. DAY-O-LITE IS NOT RESPONSIBLE FOR INADEQUATE REINFORCEMENT OF STRUCTURAL SUPPORT SYSTEMS. DAY-O-LITE RESERVES THE RIGHT TO MAKE ANY MECHANICAL OR MATERIAL CHANGES TO THE FIXTURES WHICH DO NOT AFFECT THE APPEARANCE OR PERFORMANCE. THIS PRINT IS THE PROPERTY OF DAY-O-LITE AND THE INFORMATION IT CONTAINS MAY NOT BE USED WITHOUT WRITTEN CONSENT OF DAY-O-LITE.

MODEL NO.: ADL-R06----	PAGE: SHEET 1 OF 2	PART NUMBER: 970075A0
CONTACT INFORMATION: 126 Chestnut Street, Warwick, RI 02888 Tel. (401) 467-8232   Fax. (401) 941-2960 E-mail: sales@dayo-lite.com WWW: http://www.dayo-lite.com	ISSUED ON: 2/28/2020	Lighting Without Limits


# ADL-RO6 DIRECT AC INSTRUCTIONS

 RISK OF ELECTRICAL SHOCK. DISCONNECT POWER BEFORE INSTALLATION OR SERVICING.	 TO BE INSTALLED BY A QUALIFIED ELECTRICIAN IN ACCORDANCE TO LOCAL & NATIONAL ELECTRIC CODES.	 FAILURE TO COMPLY TO INSTRUCTIONS & FORMENTIONED WARNINGS COULD VOID PRODUCT WARRANTY
 CEILING TO BE PROPERLY REINFORCED TO SUPPORT WEIGHT OF THE FIXTURE.	 REFERENCE SHOP DRAWINGS FOR CRITICAL MOUNTING DIMENSIONS.	 DO NOT CONSTRUCT ROW ON FLOOR & LIFT TO CEILING.



1. REMOVE LENS AND TRAY.
2. LOOSEN "L" BOLTS AT JOINT BRACKET, SLIDE JOINT BRACKET INTO NEXT FIXTURE, INSTALL JOINER PLATE BRACKETS AND FASTEN AND SECURE ALL JOINING HARDWARE
3. REINSTALL LOWER TRAY
4. REINSTALL LENS

MUST BE INSTALLED BY A QUALIFIED ELECTRICIAN. DISCONNECT POWER DURING INSTALLATION/SERVICING. ROW CONFIGURATION IS JOB SPECIFIC. CONSULT SHOP DRAWINGS BEFORE CONSTRUCTING ROWS. STANDARD OPTIONS/SIZES SHOWN. OTHER OPTIONS AVAILABLE WITH SIMILAIR INSTALLATION. BE SURE TO UNDERSTAND ALL PROCEDURES PRIOR TO INSTALLATION. IMPORTANT: THE NATIONAL ELECTRIC CODE REQUIRES THAT ANY FIXTURE IN EXCESS OF 50 POUNDS MUST BE INDEPENDENTLY SUPPORTED OF THE OUTLET BOX. DAY-O-LITE IS NOT RESPONSIBLE FOR INADEQUATE REINFORCEMENT OF STRUCTURAL SUPPORT SYSTEMS. DAY-O-LITE RESERVES THE RIGHT TO MAKE ANY MECHANICAL OR MATERIAL CHANGES TO THE FIXTURES WHICH DO NOT AFFECT THE APPEARANCE OR PERFORMANCE. THIS PRINT IS THE PROPERTY OF DAY-O-LITE AND THE INFORMATION IT CONTAINS MAY NOT BE USED WITHOUT WRITTEN CONSENT OF DAY-O-LITE.

MODEL NO.: ADL-RO6----	PAGE: SHEET 1 OF 2	PART NUMBER: <b>970075A0</b>
CONTRACT INFORMATION: 126 Chestnut Street, Warwick, RI 02888 Tel. (401) 467-8232 / Fax. (401) 941-2960 E-mail: sales@dayville.com WWW: http://www.dayville.com		ISSUED ON: 2/28/2020
 <b>DAY-O-LITE</b> Lighting Without Limits		