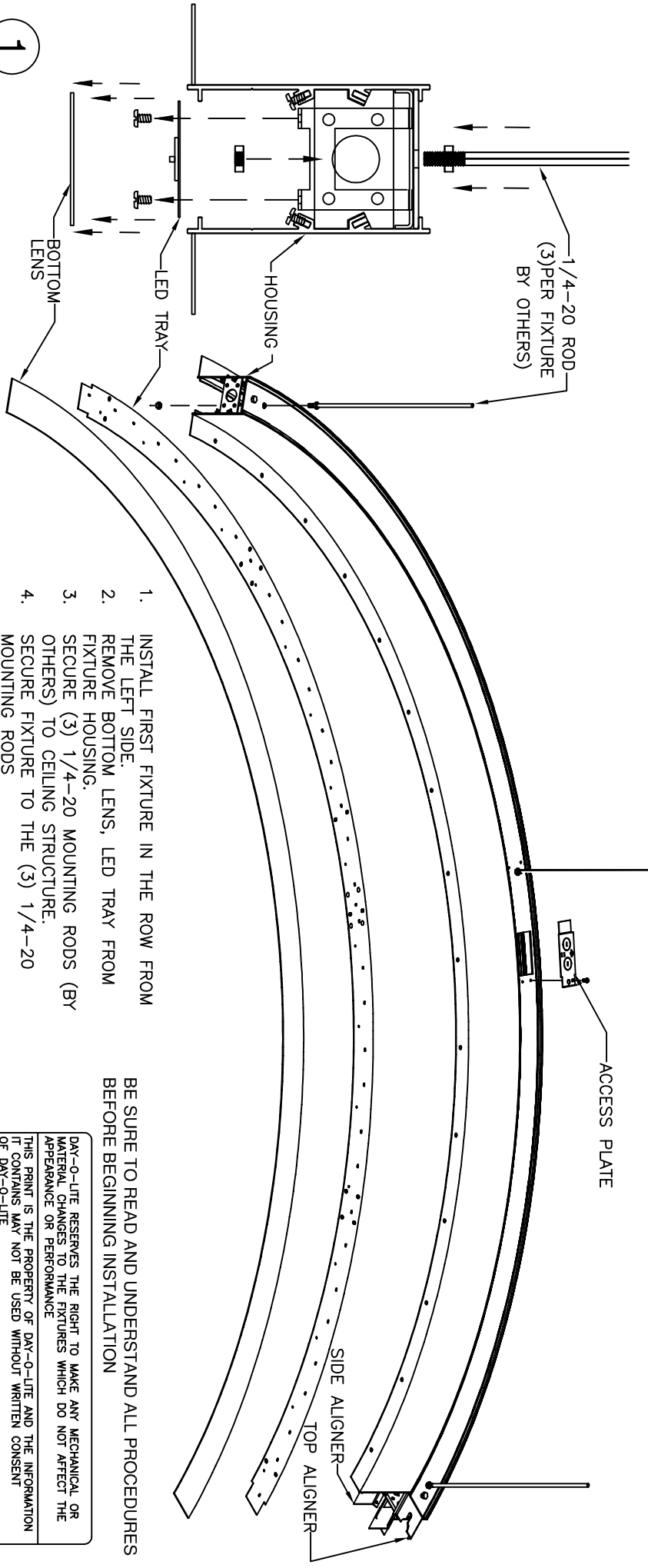


IMPORTANT THE NATIONAL ELECTRIC CODE REQUIRES THAT ANY FIXTURE IN EXCESS OF 50 POUNDS MUST BE INDEPENDENTLY SUPPORTED OF THE OUTLET BOX. DAY-O-LITE IS NOT RESPONSIBLE FOR INADEQUATE REINFORCEMENT OF STRUCTURAL SUPPORT SYSTEMS.

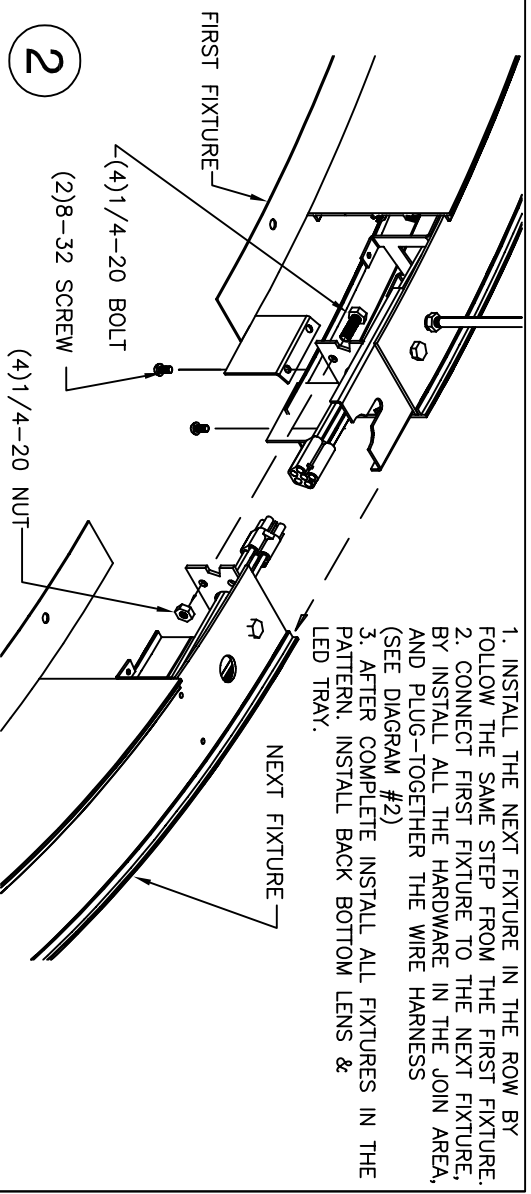
COML24-TRL AND ARCL24-TRL PATTERN INSTALLATION SHEET 1 OF 1



1. INSTALL THE NEXT FIXTURE IN THE ROW FROM THE LEFT SIDE.
2. REMOVE BOTTOM LENS, LED TRAY FROM FIXTURE HOUSING.
3. SECURE (3) 1/4-20 MOUNTING RODS (BY OTHERS) TO CEILING STRUCTURE.
4. SECURE FIXTURE TO THE (3) 1/4-20 MOUNTING RODS

BE SURE TO READ AND UNDERSTAND ALL PROCEDURES BEFORE BEGINNING INSTALLATION

DAY-O-LITE RESERVES THE RIGHT TO MAKE ANY MECHANICAL OR MATERIAL CHANGES TO THE FIXTURES WHICH DO NOT AFFECT THE APPEARANCE OR PERFORMANCE
 THIS PRINT IS THE PROPERTY OF DAY-O-LITE AND THE INFORMATION IT CONTAINS MAY NOT BE USED WITHOUT WRITTEN CONSENT OF DAY-O-LITE



1. INSTALL THE NEXT FIXTURE IN THE ROW BY FOLLOWING THE SAME STEP FROM THE FIRST FIXTURE.
2. CONNECT FIRST FIXTURE TO THE NEXT FIXTURE, BY INSTALL ALL THE HARDWARE IN THE JOIN AREA, AND PLUG-TOGETHER THE WIRE HARNESS (SEE DIAGRAM #2)
3. AFTER COMPLETE INSTALL ALL FIXTURES IN THE PATTERN, INSTALL BACK BOTTOM LENS & LED TRAY.

