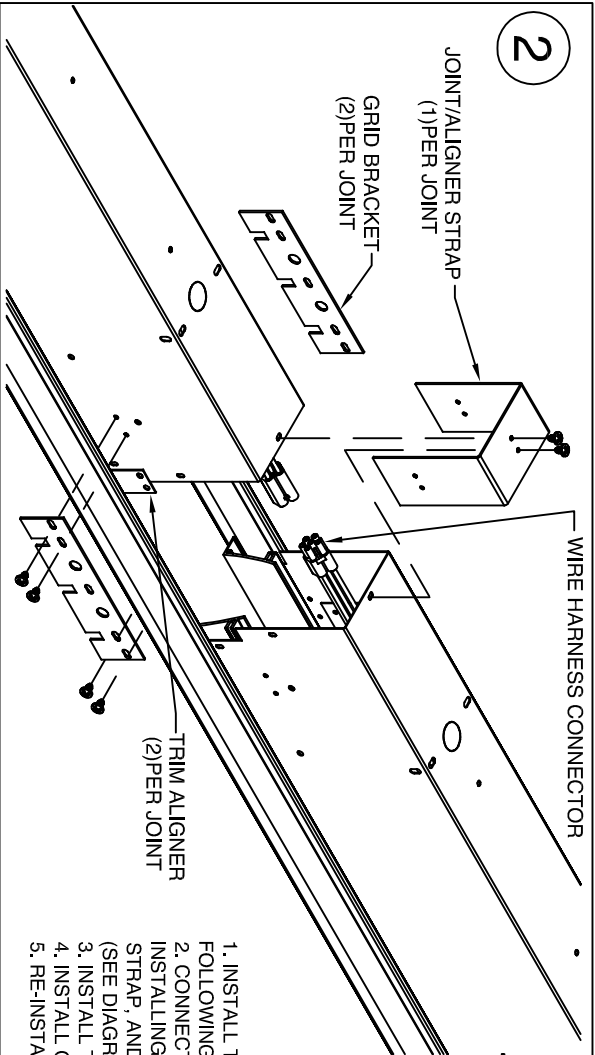
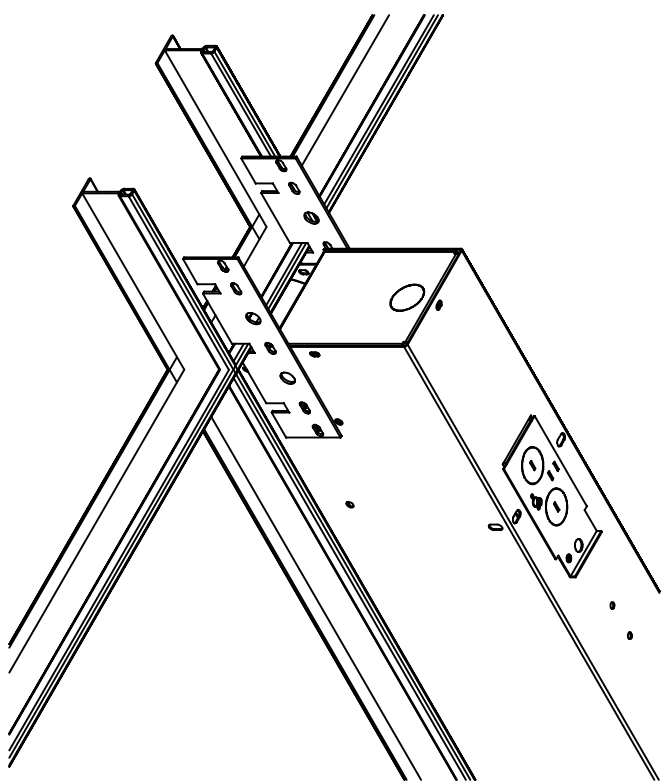
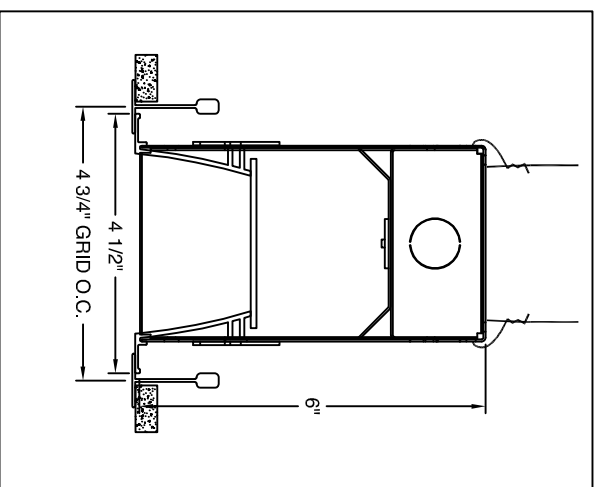


1. INSTALL FIRST FIXTURE IN THE ROW FROM THE LEFT SIDE.
2. REMOVE BOTTOM LENS, LED TRAY FROM FIXTURE HOUSING.
3. SECURE (4) GRID CLIPS PER FIXTURES
4. SECURE FIXTURE WITH THE WIRE (BY OTHERS) TO CEILING STRUCTURE.



1. INSTALL THE NEXT FIXTURE IN THE ROW BY FOLLOWING THE SAME STEPS FROM THE FIRST FIXTURE.
2. CONNECT FIRST FIXTURE TO THE NEXT FIXTURE, BY INSTALLING ALL THE HARDWARE IN THE JOINT/ALIGNER STRAP, AND PLUG-IN THE WIRE HARNESS CONNECTORS. (SEE DIAGRAM #2)
3. INSTALL TRIM ALIGNERS AND SCREWS
4. INSTALL GRID BRACKET
5. RE-INSTALL LED TRAY & BOTTOM LENS



MUST BE INSTALLED BY A QUALIFIED ELECTRICIAN. DISCONNECT POWER DURING INSTALLATION/SERVICING. ROW CONFIGURATION IS JOB SPECIFIC. CONSULT SHOP DRAWINGS BEFORE CONSTRUCTING ROWS. STANDARD OPTIONS/SIZES SHOWN. OTHER OPTIONS AVAILABLE WITH SIMILAIR INSTALLATION. BE SURE TO UNDERSTAND ALL PROCEDURES PRIOR TO INSTALLATION. IMPORTANT: THE NATIONAL ELECTRIC CODE REQUIRES THAT ANY FIXTURE IN EXCESS OF 50 POUNDS MUST BE INDEPENDENTLY SUPPORTED OF THE OUTLET BOX. DAY-O-LITE IS NOT RESPONSIBLE FOR INADEQUATE REINFORCEMENT OF STRUCTURAL SUPPORT SYSTEMS. DAY-O-LITE RESERVES THE RIGHT TO MAKE ANY MECHANICAL OR MATERIAL CHANGES TO THE FIXTURES WHICH DO NOT AFFECT THE APPEARANCE OR PERFORMANCE. THIS PRINT IS THE PROPERTY OF DAY-O-LITE AND THE INFORMATION IT CONTAINS MAY NOT BE USED WITHOUT WRITTEN CONSENT OF DAY-O-LITE.

MODEL NO.: GEML-1919-D-GRID INSTALLATION-
 CONTRACT INFORMATION:
 128 Chestnut Street, Warwick, RI 02888
 Tel. (401) 467-8232 | Fax. (401) 941-2960
 E-mail: sales@dayville.com
 WWW: http://www.dayville.com

PAGE: SHEET 1 OF 1
 ISSUED ON: 8/2/2019
DAY-O-LITE
 Lighting Without Limits