

ELTL1-DI-AC INSTALLATION



CEILING TO BE PROPERLY REINFORCED TO SUPPORT WEIGHT OF THE FIXTURE.



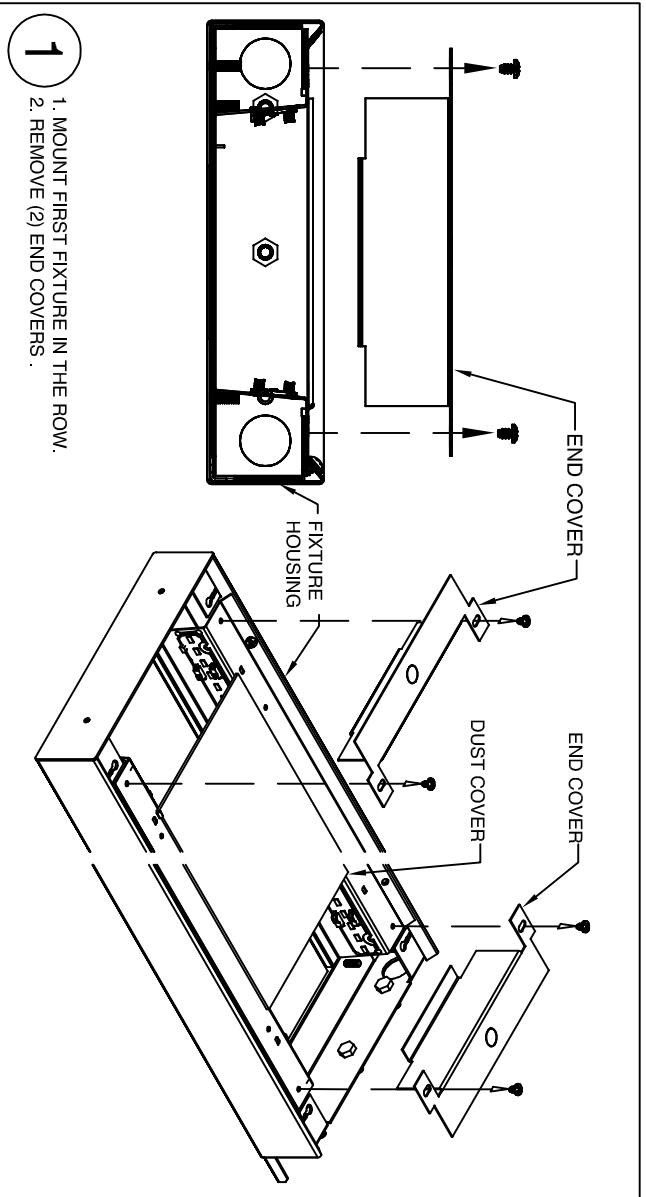
RISK OF ELECTRICAL SHOCK. DISCONNECT POWER BEFORE INSTALLATION OR SERVICING.



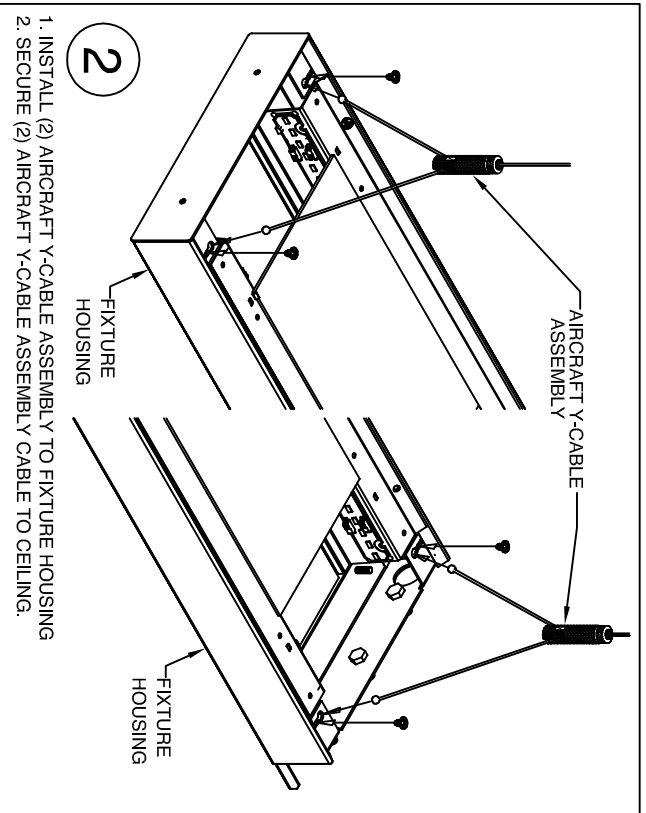
TO BE INSTALLED BY A QUALIFIED ELECTRICIAN IN ACCORDANCE TO LOCAL & NATIONAL ELECTRIC CODES.



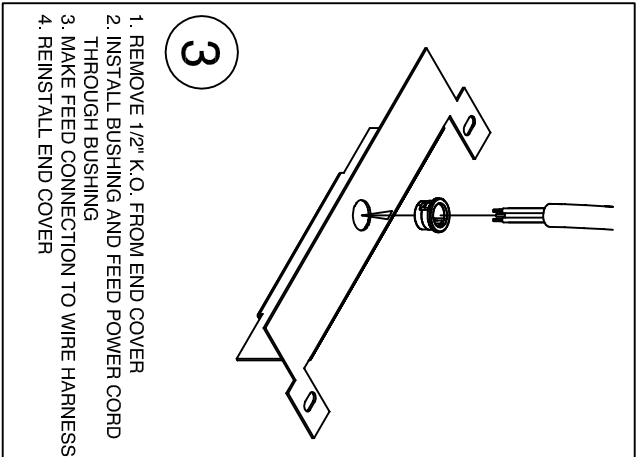
LEDS ARE EASILY DAMAGED. AVOID CONTACT WHEN INSTALLING AND SERVICING.



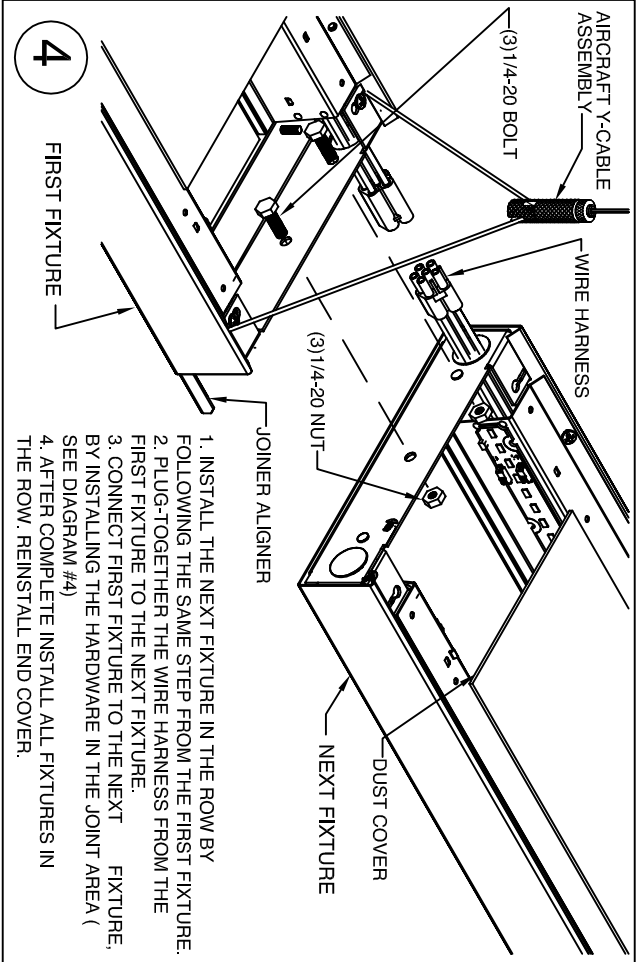
1. MOUNT FIRST FIXTURE IN THE ROW.
2. REMOVE (2) END COVERS.



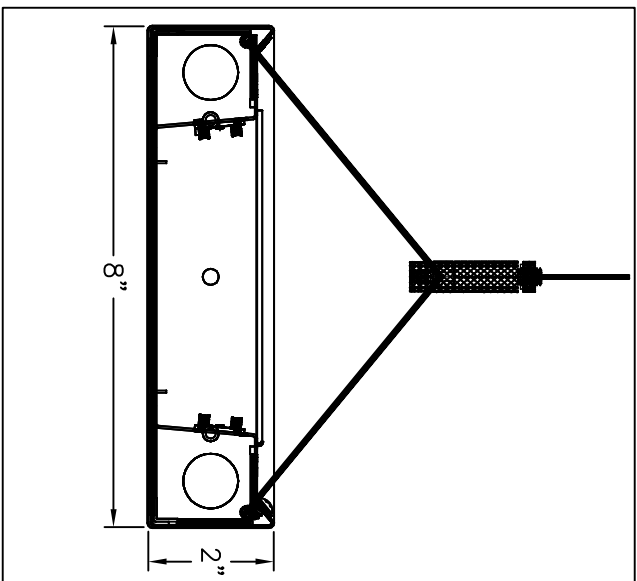
1. INSTALL (2) AIRCRAFT Y-CABLE ASSEMBLY TO FIXTURE HOUSING
2. SECURE (2) AIRCRAFT Y-CABLE ASSEMBLY TO CEILING.



1. REMOVE 1/2" K.O. FROM END COVER
2. INSTALL BUSHING AND FEED POWER CORD THROUGH BUSHING
3. MAKE FEED CONNECTION TO WIRE HARNESS
4. REINSTALL END COVER



1. INSTALL THE NEXT FIXTURE IN THE ROW BY FOLLOWING THE SAME STEP FROM THE FIRST FIXTURE.
2. PLUG-TOGETHER THE WIRE HARNESS FROM THE FIRST FIXTURE TO THE NEXT FIXTURE.
3. CONNECT FIRST FIXTURE TO THE NEXT FIXTURE BY INSTALLING THE HARDWARE IN THE JOINT AREA (SEE DIAGRAM #4)
4. AFTER COMPLETE INSTALL ALL FIXTURES IN THE ROW, REINSTALL END COVER.



MUST BE INSTALLED BY A QUALIFIED ELECTRICIAN. DISCONNECT POWER DURING INSTALLATION/SERVICING. ROW CONFIGURATION IS JOB SPECIFIC. CONSULT SHOP DRAWINGS BEFORE CONSTRUCTING ROWS. STANDARD OPTIONS/SIZES SHOWN. OTHER OPTIONS AVAILABLE WITH SIMILAR INSTALLATION. BE SURE TO UNDERSTAND ALL PROCEDURES PRIOR TO INSTALLATION. IMPORTANT: THE NATIONAL ELECTRIC CODE REQUIRES THAT ANY FIXTURE IN EXCESS OF 50 POUNDS MUST BE INDEPENDENTLY SUPPORTED BY THE OUTLET BOX. DAY-O-LITE IS NOT RESPONSIBLE FOR INADEQUATE REINFORCEMENT OF STRUCTURAL SUPPORT SYSTEMS. DAY-O-LITE RESERVES THE RIGHT TO MAKE ANY MECHANICAL OR MATERIAL CHANGES TO THE FIXTURES WHICH DO NOT AFFECT THE APPEARANCE OR PERFORMANCE. THIS PRINT IS THE PROPERTY OF DAY-O-LITE AND THE INFORMATION IT CONTAINS MAY NOT BE USED WITHOUT WRITTEN CONSENT OF DAY-O-LITE.

MODEL NO.:
ELTL1-DI-AC INSTALLATION

CONTRACT INFORMATION:
128 Chestnut Street, Warwick, RI 02888
Tel. (401) 467-8232 | Fax. (401) 941-2960
E-mail: sales@dayville.com
WWW: http://www.dayville.com

PAGE:
SHEET 1 OF 1

ISSUED ON:
9-13-2019

DAY-O-LITE
Lighting Without Limits