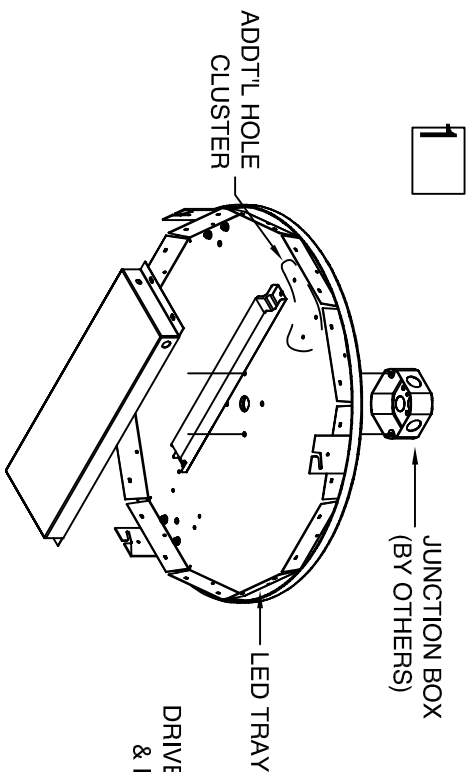




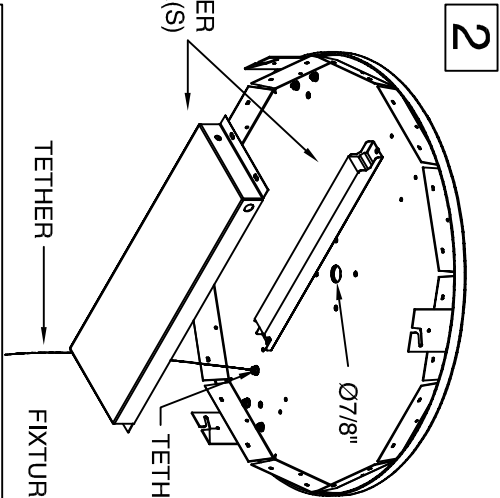
IMPORTANT

THE NATIONAL ELECTRIC CODE REQUIRES THAT ANY FIXTURE IN EXCESS OF 50 POUNDS MUST BE INDEPENDENTLY SUPPORTED OF THE OUTLET BOX. DAY-O-LITE IS NOT RESPONSIBLE FOR INADEQUATE REINFORCEMENT OF STRUCTURAL SUPPORT SYSTEMS.

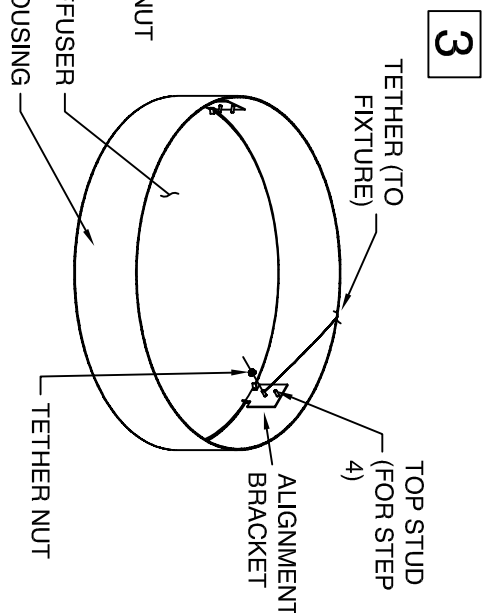
BE SURE TO READ AND UNDERSTAND ALL PROCEDURES BEFORE BEGINNING INSTALLATION



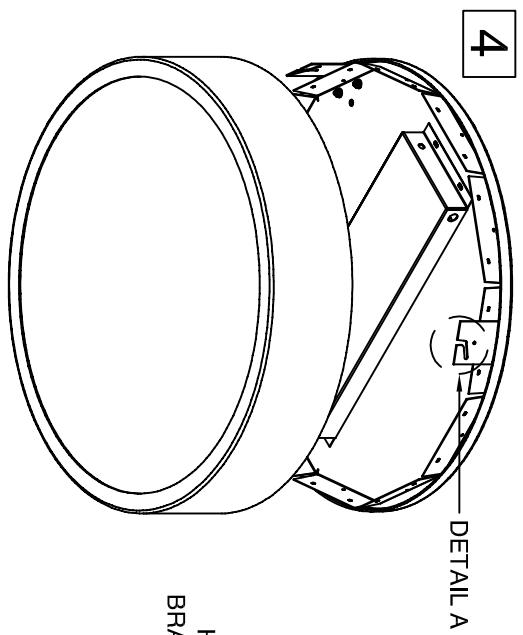
REMOVE DRIVER COVER TO REVEAL MOUNTING HOLES TO JUNCTION BOX (BY OTHERS). USE ADDITIONAL HOLES IN LED TRAY AS NECESSARY TO SUPPORT FIXTURE WEIGHT.



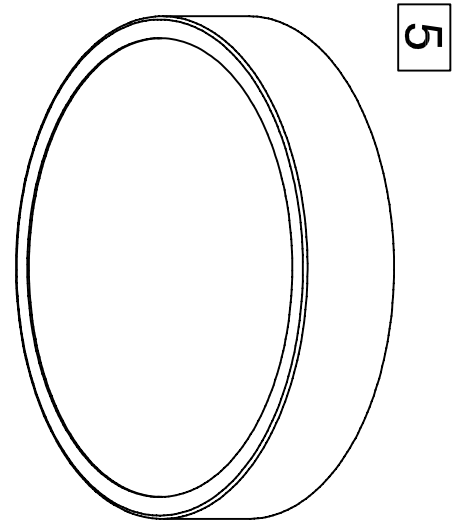
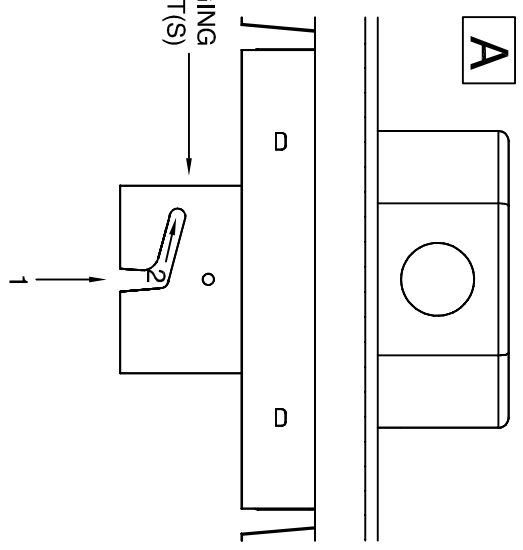
WITH DRIVER COVER STILL REMOVED: MAKE ELECTRICAL CONNECTIONS THROUGH Ø7/8" CENTER HOLE. REINSTALL DRIVER COVER.



LAY DIFFUSER INTO HOUSING. TAKE NOTE OF TOP STUD ON ALIGNMENT BRACKETS FOR STEP 5. BOTTOM STUD ON ALIGNMENT BRACKET USED FOR TETHER & NUT.



LIFT FIXTURE HOUSING TO THE HANGING BRACKETS FROM THE TOP TRAY. MOVE SUCH THAT THE STUDS FIT IN THE GROOVE & THEN TWIST-LOCK INTO PLACE.



INSTALLATION COMPLETE.

DAY-O-LITE RESERVES THE RIGHT TO MAKE ANY MECHANICAL OR MATERIAL CHANGES TO THE FIXTURES WHICH DO NOT AFFECT THE APPEARANCE OR PERFORMANCE
THIS PRINT IS THE PROPERTY OF DAY-O-LITE AND THE INFORMATION IT CONTAINS MAY NOT BE USED WITHOUT WRITTEN CONSENT OF DAY-O-LITE