


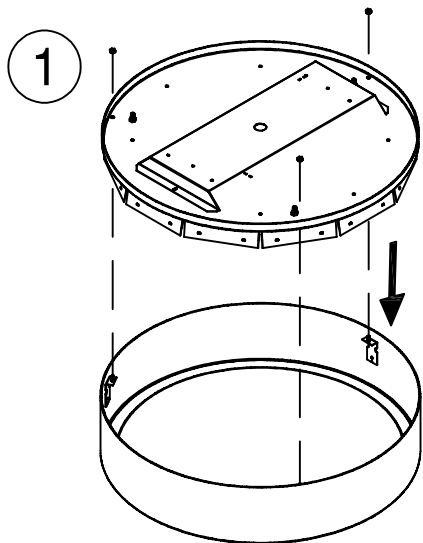
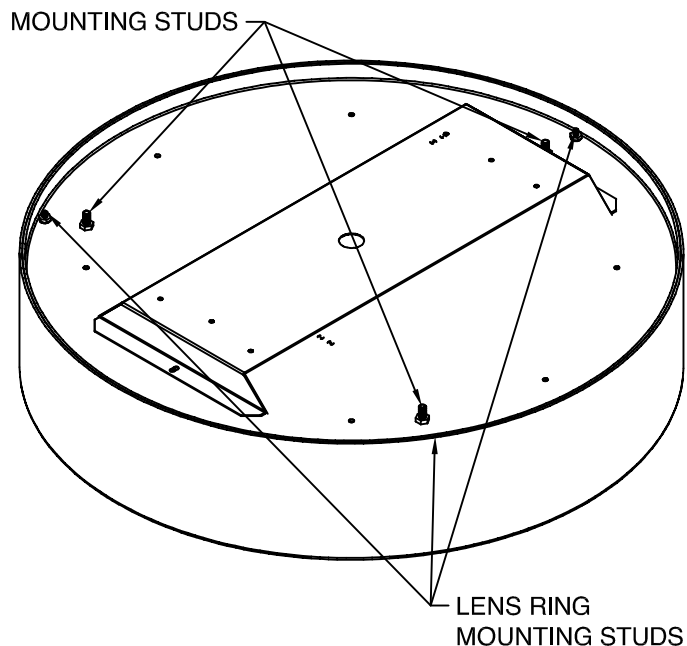


EQL-AC LENS INSTALLATION/REMOVAL INSTRUCTIONS


 RISK OF ELECTRICAL SHOCK. DISCONNECT POWER BEFORE INSTALLATION OR SERVICING.

 RISK OF BURN. DO NOT TOUCH LED DIODE OR DRIVER WHEN SERVICING. ALLOW TO COOL BEFORE HANDLING.

 LEDS ARE EASILY DAMAGED, AVOID CONTACT WHEN INSTALLING AND SERVICING.



 DAY-O-LITE ASSUMES NO RESPONSIBILITIES FOR CLAIMS FOUNDED FROM IMPROPER INSTALLATION OR HANDLING.

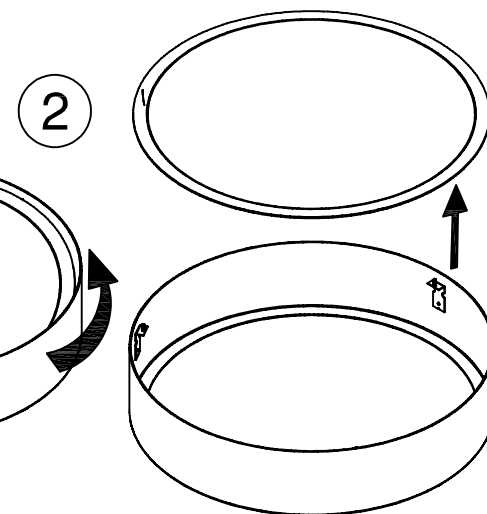
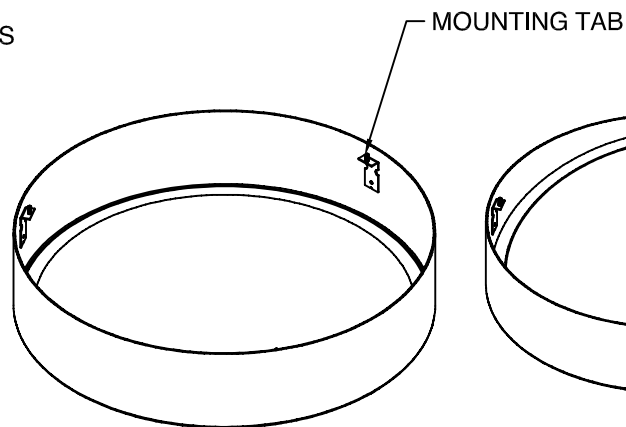
 FAILURE TO COMPLY TO INSTRUCTIONS & FORMENTIONED WARNINGS COULD VOID PRODUCT WARRANTY

1. REMOVE LENS RING FROM FIXTURE. REMOVE #8-32 NUTS AND LOWER LENS RING AWAY FROM FIXTURE. **USE CAUTION TO NOT DROP LENS. LENS RING IS EASILY DENTED, HANDLE WITH CARE!**

2. TO REMOVE LENS, TILT LENS, LIFT ONE SIDE OVER ONE OF THE MOUNTING TABS AND LIFT LENS PAST THE OTHER TWO TABS.

3. TO INSTALL LENS, TILT LENS, INSERT ONE SIDE UNDER TWO OF THE MOUNTING TABS AND TILT LENS PAST THIRD TAB. LET LENS DROP INTO PLACE.

4. RE-INSTALL LENS RING USING PREVIOUSLY REMOVED HARDWARE.




MUST BE INSTALLED BY A QUALIFIED ELECTRICIAN. DISCONNECT POWER DURING INSTALLATION/SERVICING. ROW CONFIGURATION IS JOB SPECIFIC, CONSULT SHOP DRAWINGS BEFORE CONSTRUCTING ROWS. STANDARD OPTIONS/SIZES SHOWN, OTHER OPTIONS AVAILABLE WITH SIMILAIR INSTALLATION. BE SURE TO UNDERSTAND ALL PROCEDURES PRIOR TO INSTALLATION. IMPORTANT: THE NATIONAL ELECTRIC CODE REQUIRES THAT ANY FIXTURE IN EXCESS OF 50 POUNDS MUST BE INDEPENDENTLY SUPPORTED OF THE OUTLET BOX. DAY-O-LITE IS NOT RESPONSIBLE FOR INADEQUATE REINFORCEMENT OF STRUCTURAL SUPPORT SYSTEMS. DAY-O-LITE RESERVES THE RIGHT TO MAKE ANY MECHANICAL OR MATERIAL CHANGES TO THE FIXTURES WHICH DO NOT AFFECT THE APPEARANCE OR PERFORMANCE. THIS PRINT IS THE PROPERTY OF DAY-O-LITE AND THE INFORMATION IT CONTAINS MAY NOT BE USED WITHOUT WRITTEN CONSENT OF DAY-O-LITE.

MODEL NO.:
EQL-AC----

CONTACT INFORMATION:
126 Chestnut Street, Warwick, RI 02888
Tel. (401) 467-8232 | Fax. (401) 941-2960
E-mail: sales@dayolite.com
WWW: http://www.dayolite.com


PAGE:
SHEET 1 OF 2


ISSUED ON:
10/16/19


 **DAY-O-LITE**
Lighting Without Limits

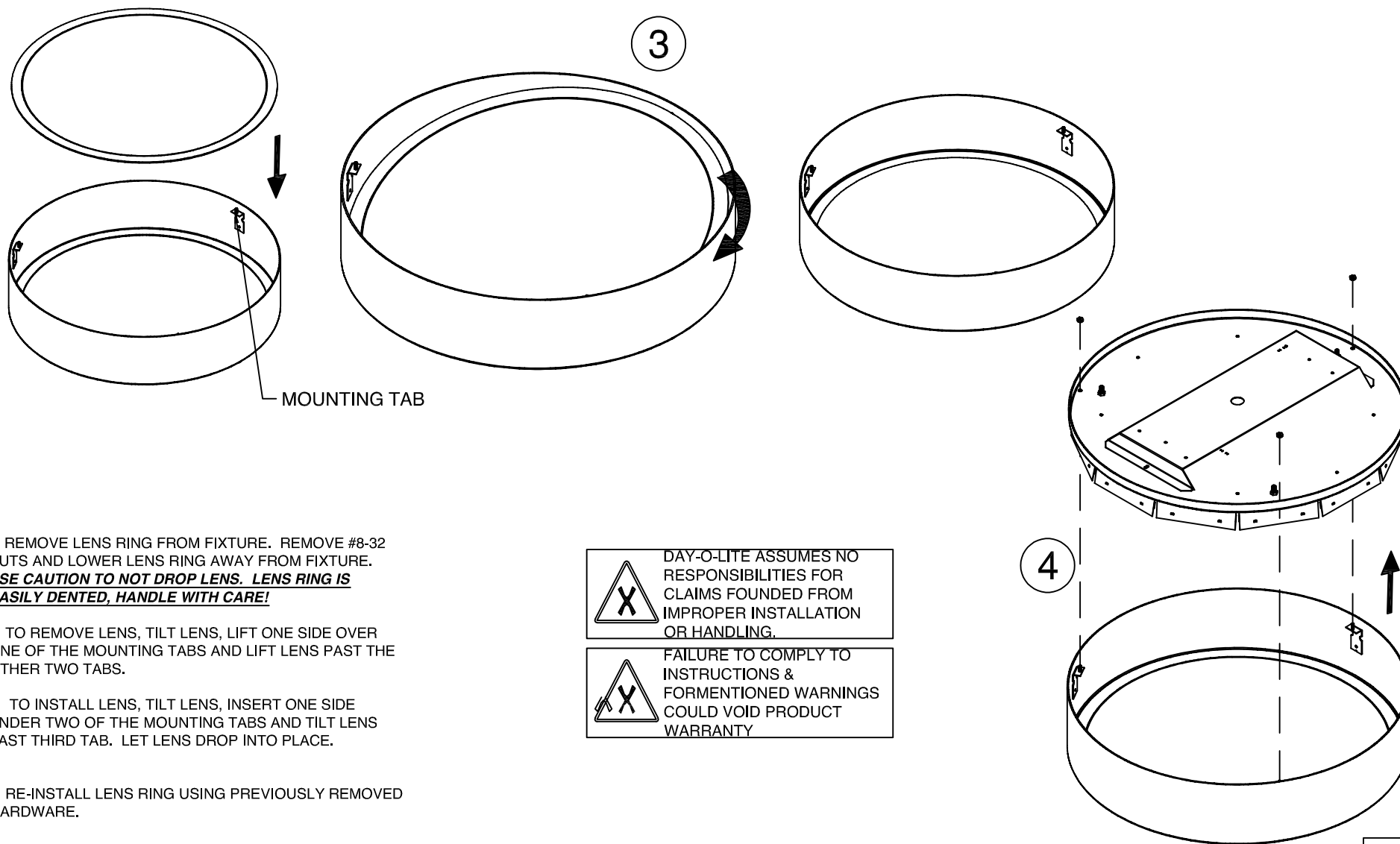
970026A0

EQL-AC LENS INSTALLATION/REMOVAL INSTRUCTIONS

 RISK OF ELECTRICAL SHOCK. DISCONNECT POWER BEFORE INSTALLATION OR SERVICING.

 RISK OF BURN. DO NOT TOUCH LED DIODE OR DRIVER WHEN SERVICING. ALLOW TO COOL BEFORE HANDLING.

 LEDS ARE EASILY DAMAGED, AVOID CONTACT WHEN INSTALLING AND SERVICING.





1. REMOVE LENS RING FROM FIXTURE. REMOVE #8-32 NUTS AND LOWER LENS RING AWAY FROM FIXTURE. **USE CAUTION TO NOT DROP LENS. LENS RING IS EASILY DENTED, HANDLE WITH CARE!**

2. TO REMOVE LENS, TILT LENS, LIFT ONE SIDE OVER ONE OF THE MOUNTING TABS AND LIFT LENS PAST THE OTHER TWO TABS.

3. TO INSTALL LENS, TILT LENS, INSERT ONE SIDE UNDER TWO OF THE MOUNTING TABS AND TILT LENS PAST THIRD TAB. LET LENS DROP INTO PLACE.

4. RE-INSTALL LENS RING USING PREVIOUSLY REMOVED HARDWARE.

 DAY-O-LITE ASSUMES NO RESPONSIBILITIES FOR CLAIMS FOUNDED FROM IMPROPER INSTALLATION OR HANDLING.

 FAILURE TO COMPLY TO INSTRUCTIONS & FORMENTIONED WARNINGS COULD VOID PRODUCT WARRANTY

MUST BE INSTALLED BY A QUALIFIED ELECTRICIAN. DISCONNECT POWER DURING INSTALLATION/SERVICING. ROW CONFIGURATION IS JOB SPECIFIC, CONSULT SHOP DRAWINGS BEFORE CONSTRUCTING ROWS. STANDARD OPTIONS/SIZES SHOWN, OTHER OPTIONS AVAILABLE WITH SIMILAIR INSTALLATION. BE SURE TO UNDERSTAND ALL PROCEDURES PRIOR TO INSTALLATION. IMPORTANT: THE NATIONAL ELECTRIC CODE REQUIRES THAT ANY FIXTURE IN EXCESS OF 50 POUNDS MUST BE INDEPENDENTLY SUPPORTED OF THE OUTLET BOX. DAY-O-LITE IS NOT RESPONSIBLE FOR INADEQUATE REINFORCEMENT OF STRUCTURAL SUPPORT SYSTEMS. DAY-O-LITE RESERVES THE RIGHT TO MAKE ANY MECHANICAL OR MATERIAL CHANGES TO THE FIXTURES WHICH DO NOT AFFECT THE APPEARANCE OR PERFORMANCE. THIS PRINT IS THE PROPERTY OF DAY-O-LITE AND THE INFORMATION IT CONTAINS MAY NOT BE USED WITHOUT WRITTEN CONSENT OF DAY-O-LITE.

MODEL NO.:
EQL-AC----

CONTACT INFORMATION:
126 Chestnut Street, Warwick, RI 02888
Tel. (401) 467-8232 | Fax. (401) 941-2960
E-mail: sales@dayolite.com
WWW: http://www.dayolite.com

PAGE:
SHEET 1 OF 2

970026A0
ISSUED ON:
10/16/19

