





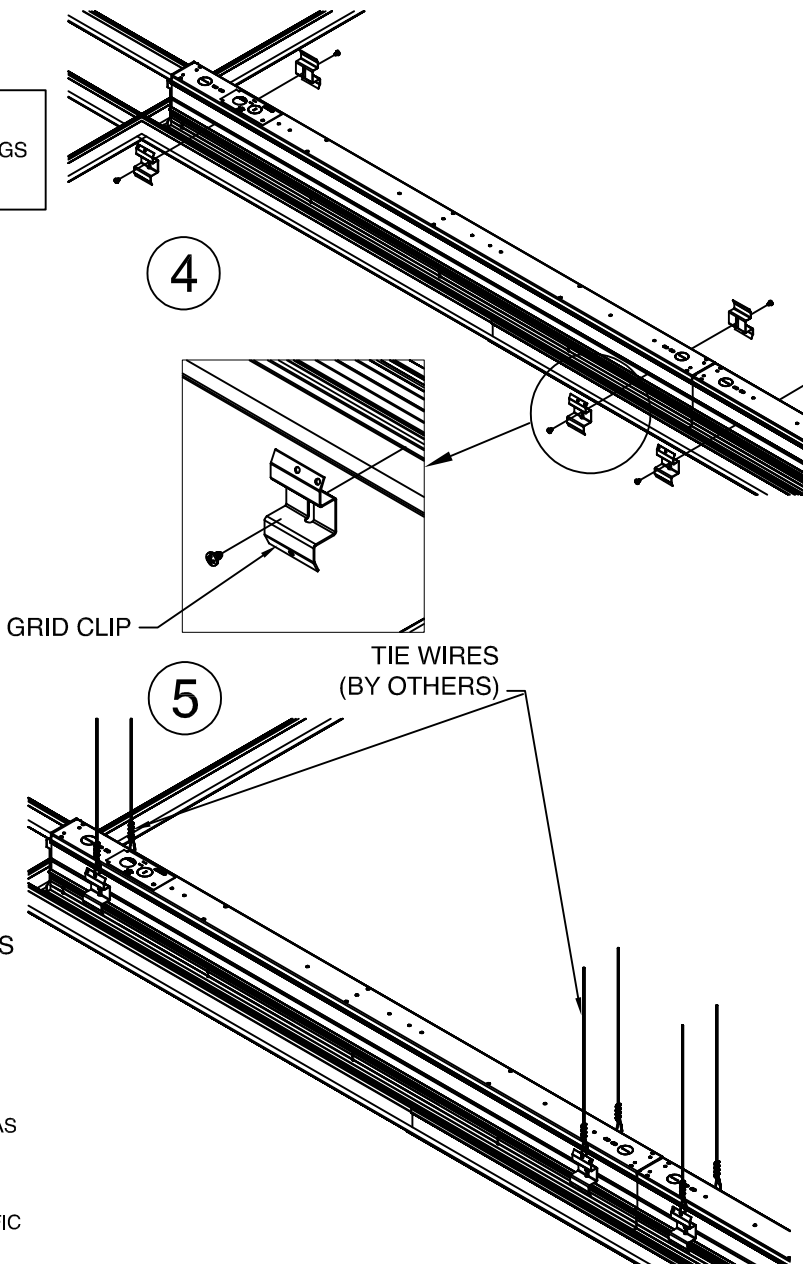
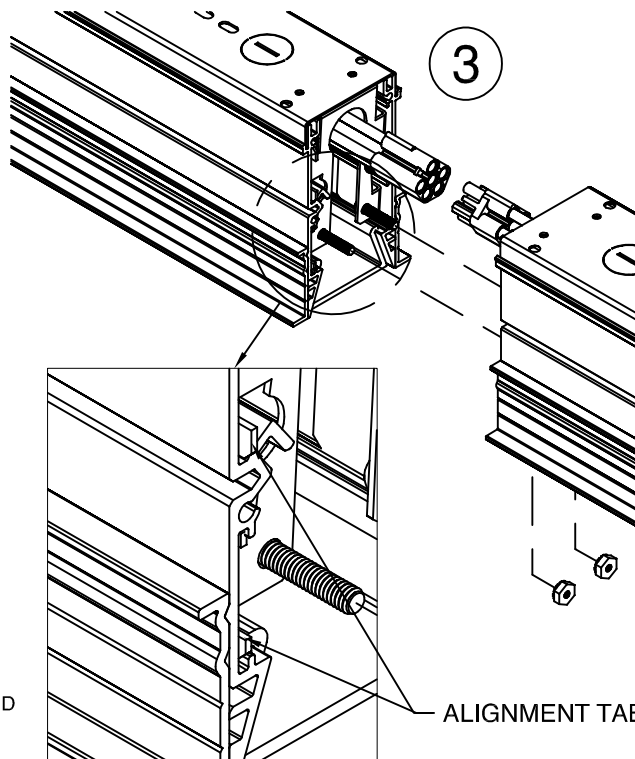
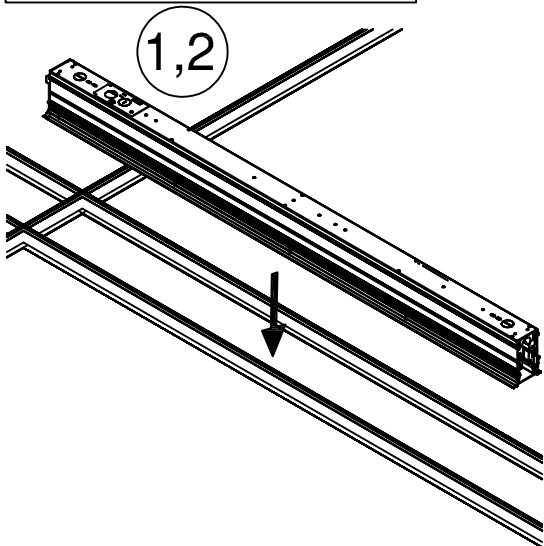
PRFL24/44/64 GRID FIXTURE INSTALLATION

 RISK OF ELECTRICAL SHOCK. DISCONNECT POWER BEFORE INSTALLATION OR SERVICING.

 TO BE INSTALLED BY A QUALIFIED ELECTRICIAN IN ACCORDANCE TO LOCAL & NATIONAL ELECTRIC CODES.

 FAILURE TO COMPLY TO INSTRUCTIONS & FORMENTIONED WARNINGS COULD VOID PRODUCT WARRANTY

 CEILING TO BE PROPERLY REINFORCED TO SUPPORT WEIGHT OF THE FIXTURE.



1. DROP FIRST FIXTURE INTO APPROPRIATE SIZED GRID OPENING FROM ABOVE GRID.

2. DROP NEXT FIXTURE INTO APPROPRIATE SIZED GRID OPENING FROM ABOVE GRID.

3. JOIN FIXTURES WITH SUPPLIED HARDWARE AND CONNECT WIRE HARNESSSES. CONTINUE INSTALLING AND JOINING FIXTURES UNTIL ROW IS COMPLETE. **MAKE SURE ALIGNMENT TABS ARE SEATED PROPERLY WHILE TIGHTENING HARDWARE.**

4. INSTALL SUPPLIED GRID CLIPS WITH SCREWS PROVIDED. (SHIPPED SEPARATELY)

5. INSTALL TIE WIRE TO FIXTURE AND SECURE OTHER END TO APPROPRIATE STRUCTURE TO SUPPORT WEIGHT OF FIXTURE.

6. DETERMINE POWER FEED LOCATION. REMOVE ACCESS PLATE, LED TRAY AND LENS FROM FIXTURE TO BE FED.

7. FEED POWER FEED CORD THROUGH ACCESS PLATE. USE APPROPRIATE STRAIN RELIEF TO SECURE CORD IN FIXTURE AS REQUIRED BY LOCAL ELECTRICAL CODES. CUT END FROM HARNESS AND CONNECT POWER FEED CONDUCTORS TO APPROPRIATE WIRES OF WIRE HARNESS. STANDARD WIRING DIAGRAM SHOWN, REFER TO JOB DRAWINGS FOR JOB SPECIFIC WIRING

8. REINSTALL ACCESS PLATE, LED TRAY AND LENS AFTER ALL WIRING CONNECTIONS ARE MADE. RE-INSTALL LED TRAYS AND LENSES IN ALL FIXTURES. INSTALLATION IS COMPLETE

MUST BE INSTALLED BY A QUALIFIED ELECTRICIAN. DISCONNECT POWER DURING INSTALLATION/SERVICING. ROW CONFIGURATION IS JOB SPECIFIC, CONSULT SHOP DRAWINGS BEFORE CONSTRUCTING ROWS. STANDARD OPTIONS/SIZES SHOWN, OTHER OPTIONS AVAILABLE WITH SIMILAIR INSTALLATION. BE SURE TO UNDERSTAND ALL PROCEDURES PRIOR TO INSTALLATION. IMPORTANT: THE NATIONAL ELECTRIC CODE REQUIRES THAT ANY FIXTURE IN EXCESS OF 50 POUNDS MUST BE INDEPENDENTLY SUPPORTED OF THE OUTLET BOX. DAY-O-LITE IS NOT RESPONSIBLE FOR INADEQUATE REINFORCEMENT OF STRUCTURAL SUPPORT SYSTEMS. DAY-O-LITE RESERVES THE RIGHT TO MAKE ANY MECHANICAL OR MATERIAL CHANGES TO THE FIXTURES WHICH DO NOT AFFECT THE APPEARANCE OR PERFORMANCE. THIS PRINT IS THE PROPERTY OF DAY-O-LITE AND THE INFORMATION IT CONTAINS MAY NOT BE USED WITHOUT WRITTEN CONSENT OF DAY-O-LITE.

MODEL NO.: PRFL24/44/64-G----


CONTACT INFORMATION:
126 Chestnut Street, Warwick, RI 02888
Tel. (401) 467-8232 | Fax. (401) 941-2960
E-mail: sales@dayolite.com
WWW: http://www.dayolite.com

PAGE: SHEET 1 OF 2


PART NUMBER: **970022A0**
ISSUED ON: 10/15/19




PRFL24/44/64 GRID FIXTURE INSTALLATION




RISK OF ELECTRICAL SHOCK. DISCONNECT POWER BEFORE INSTALLATION OR SERVICING.



TO BE INSTALLED BY A QUALIFIED ELECTRICIAN IN ACCORDANCE TO LOCAL & NATIONAL ELECTRIC CODES.



DO NOT CONNECT, MODIFY, SPLICE, OR TAP ANY WIRED CONNECTIONS UNDER POWER.



CEILING TO BE PROPERLY REINFORCED TO SUPPORT WEIGHT OF THE FIXTURE.

1. DROP FIRST FIXTURE INTO APPROPRIATE SIZED GRID OPENING FROM ABOVE GRID.

2. DROP NEXT FIXTURE INTO APPROPRIATE SIZED GRID OPENING FROM ABOVE GRID.

3. JOIN FIXTURES WITH SUPPLIED HARDWARE AND CONNECT WIRE HARNESSSES. CONTINUE INSTALLING AND JOINING FIXTURES UNTIL ROW IS COMPLETE. **MAKE SURE ALIGNMENT TABS ARE SEATED PROPERLY WHILE TIGHTENING HARDWARE.**

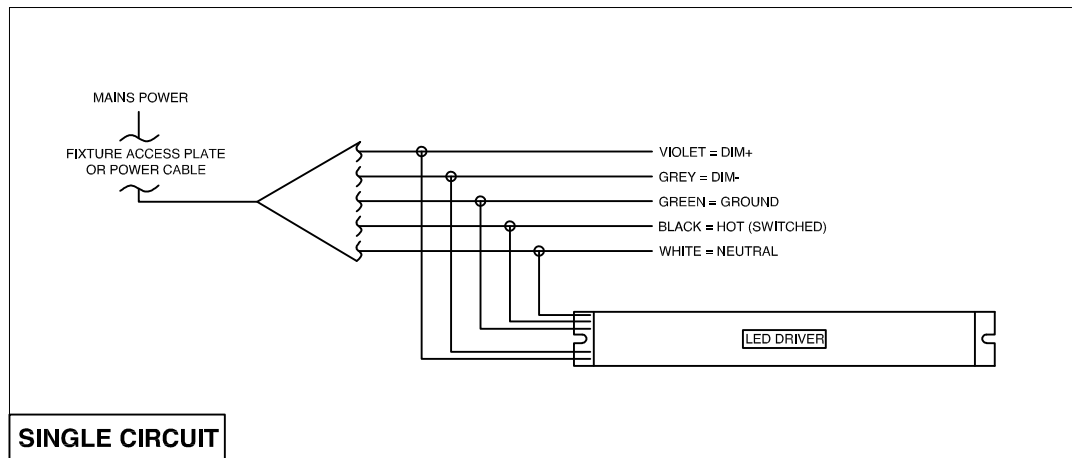
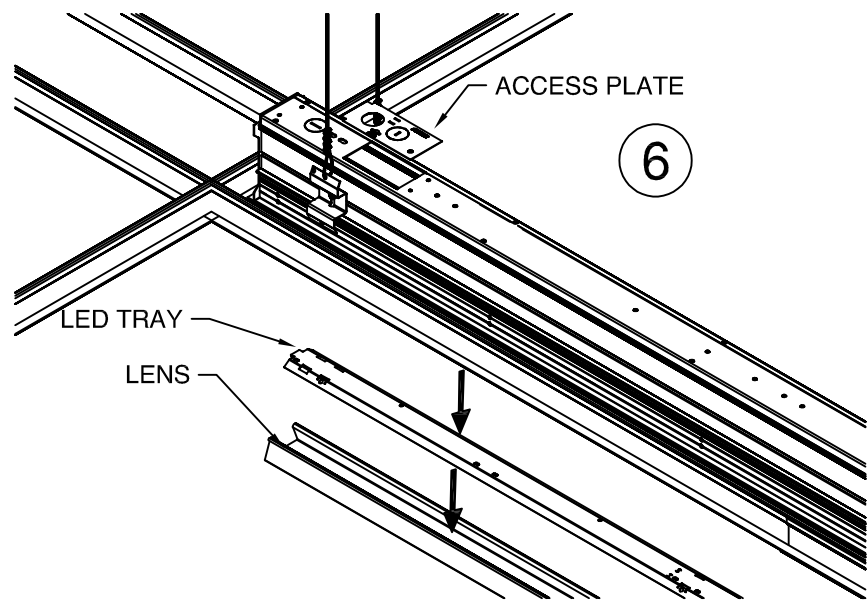
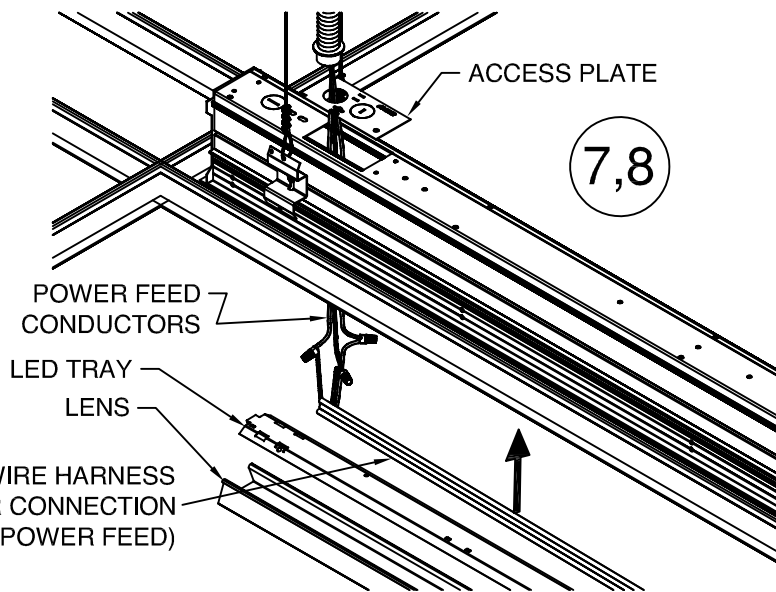
4. INSTALL SUPPLIED GRID CLIPS WITH SCREWS PROVIDED. (SHIPPED SEPARATELY)

5. INSTALL TIE WIRE TO FIXTURE AND SECURE OTHER END TO APPROPRIATE STRUCTURE TO SUPPORT WEIGHT OF FIXTURE.

6. DETERMINE POWER FEED LOCATION. REMOVE ACCESS PLATE, LED TRAY AND LENS FROM FIXTURE TO BE FED.

7. FEED POWER FEED CORD THROUGH ACCESS PLATE. USE APPROPRIATE STRAIN RELIEF TO SECURE CORD IN FIXTURE AS REQUIRED BY LOCAL ELECTRICAL CODES. CUT END FROM HARNESS AND CONNECT POWER FEED CONDUCTORS TO APPROPRIATE WIRES OF WIRE HARNESS. STANDARD WIRING DIAGRAM SHOWN, REFER TO JOB DRAWINGS FOR JOB SPECIFIC WIRING

8. REINSTALL ACCESS PLATE, LED TRAY AND LENS AFTER ALL WIRING CONNECTIONS ARE MADE. RE-INSTALL LED TRAYS AND LENSES IN ALL FIXTURES. INSTALLATION IS COMPLETE



MUST BE INSTALLED BY A QUALIFIED ELECTRICIAN. DISCONNECT POWER DURING INSTALLATION/SERVICING. ROW CONFIGURATION IS JOB SPECIFIC, CONSULT SHOP DRAWINGS BEFORE CONSTRUCTING ROWS. STANDARD OPTIONS/SIZES SHOWN, OTHER OPTIONS AVAILABLE WITH SIMILAIR INSTALLATION. BE SURE TO UNDERSTAND ALL PROCEDURES PRIOR TO INSTALLATION. IMPORTANT: THE NATIONAL ELECTRIC CODE REQUIRES THAT ANY FIXTURE IN EXCESS OF 50 POUNDS MUST BE INDEPENDENTLY SUPPORTED OF THE OUTLET BOX. DAY-O-LITE IS NOT RESPONSIBLE FOR INADEQUATE REINFORCEMENT OF STRUCTURAL SUPPORT SYSTEMS. DAY-O-LITE RESERVES THE RIGHT TO MAKE ANY MECHANICAL OR MATERIAL CHANGES TO THE FIXTURES WHICH DO NOT AFFECT THE APPEARANCE OR PERFORMANCE. THIS PRINT IS THE PROPERTY OF DAY-O-LITE AND THE INFORMATION IT CONTAINS MAY NOT BE USED WITHOUT WRITTEN CONSENT OF DAY-O-LITE.


MODEL NO.: PRFL24/44/64-G----

CONTACT INFORMATION:
126 Chestnut Street, Warwick, RI 02888
Tel. (401) 467-8232 | Fax. (401) 941-2960
E-mail: sales@dayolite.com
WWW: http://www.dayolite.com

PART NUMBER: **970022A0**

PAGE: SHEET 2 OF 2

ISSUED ON: 10/15/19



Lighting Without Limits