

MEDL-EA GRID FIXTURE INSTALLATION



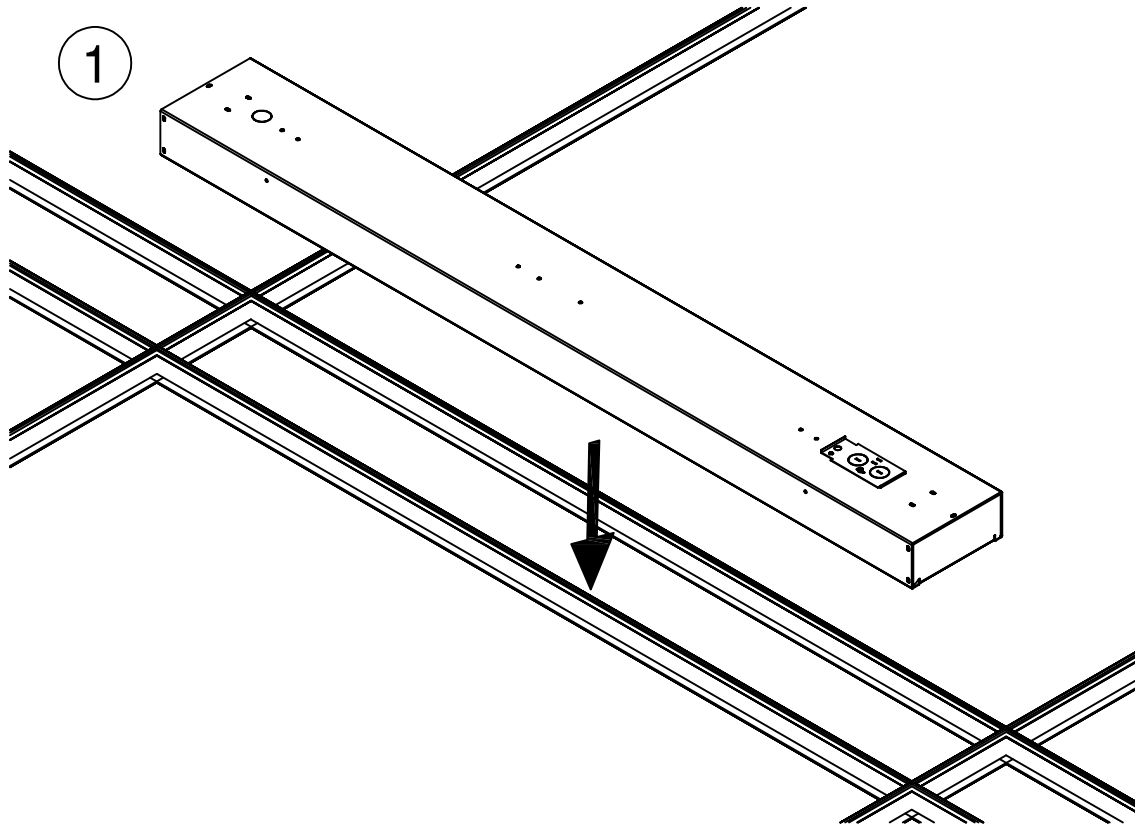
RISK OF ELECTRICAL SHOCK. DISCONNECT POWER BEFORE INSTALLATION OR SERVICING.



TO BE INSTALLED BY A QUALIFIED ELECTRICIAN IN ACCORDANCE TO LOCAL & NATIONAL ELECTRIC CODES.



FAILURE TO COMPLY TO INSTRUCTIONS & FORMENTIONED WARNINGS COULD VOID PRODUCT WARRANTY



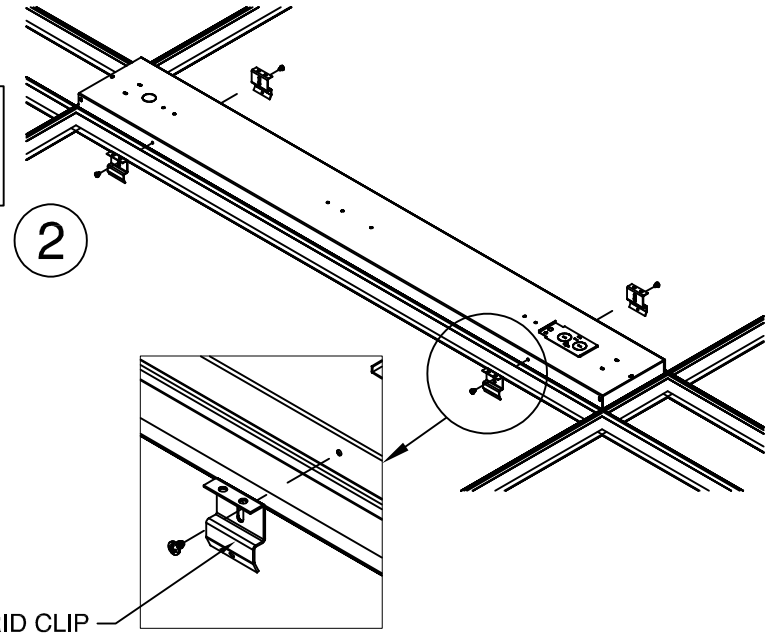
1. DROP FIXTURE INTO APPROPRIATE SIZED GRID OPENING FROM ABOVE GRID.

2. INSTALL SUPPLIED GRID CLIPS WITH SCREWS PROVIDED. (SHIPPED SEPERATELY)

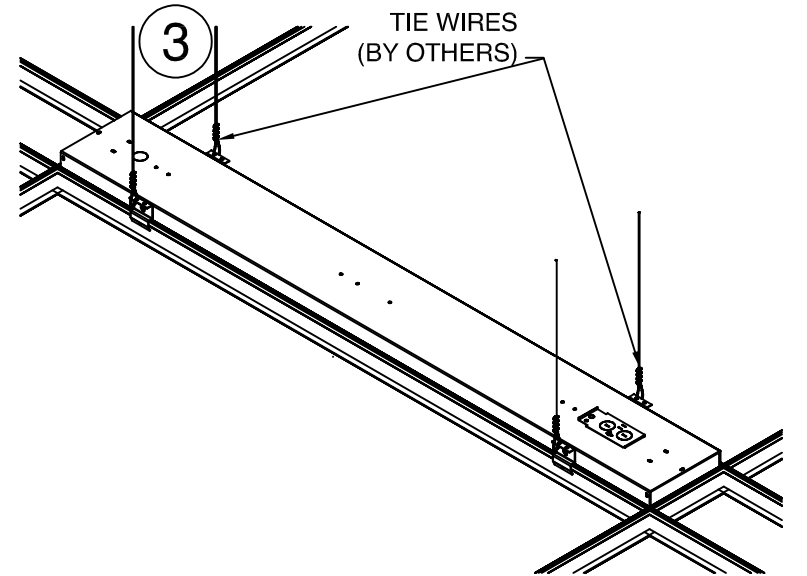
3. INSTALL TIE WIRE TO FIXTURE AND SECURE OTHER END TO APPROPRIATE STRUCTURE TO SUPPORT WEIGHT OF FIXTURE.

4. REMOVE ACCESS PLATE AND/OR ELECTRICAL KNOCKOUT BRING FEED WIRES INTO FIXTURE. CONNECT SUPPLY WIRES AND FIXTURE WIRES USING APPROPRIATE CONNECTOR PER LOCAL ELECTRICAL CODES. STANDARD WIRING DIAGRAM SHOWN, REFER TO JOB DRAWINGS FOR JOB SPECIFIC WIRING

5. REINSTALL ACCESS PLATE AFTER ALL WIRING CONNECTIONS ARE MADE, INSTALLATION IS COMPLETE



GRID CLIP



TIE WIRES (BY OTHERS)

MUST BE INSTALLED BY A QUALIFIED ELECTRICIAN. DISCONNECT POWER DURING INSTALLATION/SERVICING. ROW CONFIGURATION IS JOB SPECIFIC, CONSULT SHOP DRAWINGS BEFORE CONSTRUCTING ROWS. STANDARD OPTIONS/SIZES SHOWN, OTHER OPTIONS AVAILABLE WITH SIMILAIR INSTALLATION. BE SURE TO UNDERSTAND ALL PROCEDURES PRIOR TO INSTALLATION. IMPORTANT: THE NATIONAL ELECTRIC CODE REQUIRES THAT ANY FIXTURE IN EXCESS OF 50 POUNDS MUST BE INDEPENDENTLY SUPPORTED OF THE OUTLET BOX. DAY-O-LITE IS NOT RESPONSIBLE FOR INADEQUATE REINFORCEMENT OF STRUCTURAL SUPPORT SYSTEMS. DAY-O-LITE RESERVES THE RIGHT TO MAKE ANY MECHANICAL OR MATERIAL CHANGES TO THE FIXTURES WHICH DO NOT AFFECT THE APPEARANCE OR PERFORMANCE. THIS PRINT IS THE PROPERTY OF DAY-O-LITE AND THE INFORMATION IT CONTAINS MAY NOT BE USED WITHOUT WRITTEN CONSENT OF DAY-O-LITE.

MODEL NO.:
VARIOUS----


CONTACT INFORMATION:
126 Chestnut Street, Warwick, RI 02888
Tel. (401) 467-8232 | Fax. (401) 941-2960
E-mail: sales@dayolite.com
WWW: http://www.dayolite.com


PAGE:
SHEET 1 OF 2


ISSUED ON:
10/7/19

PART NUMBER:
970007A0

MEDL-EA GRID FIXTURE INSTALLATION

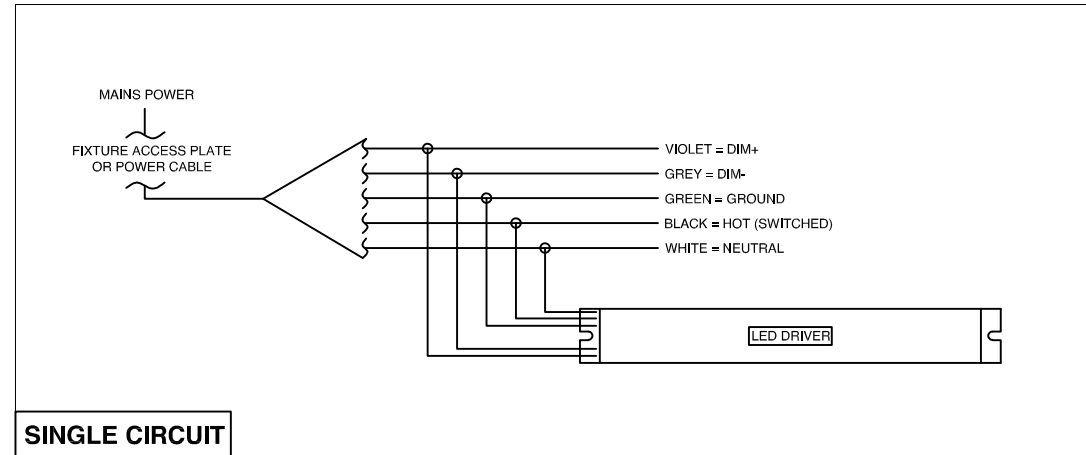
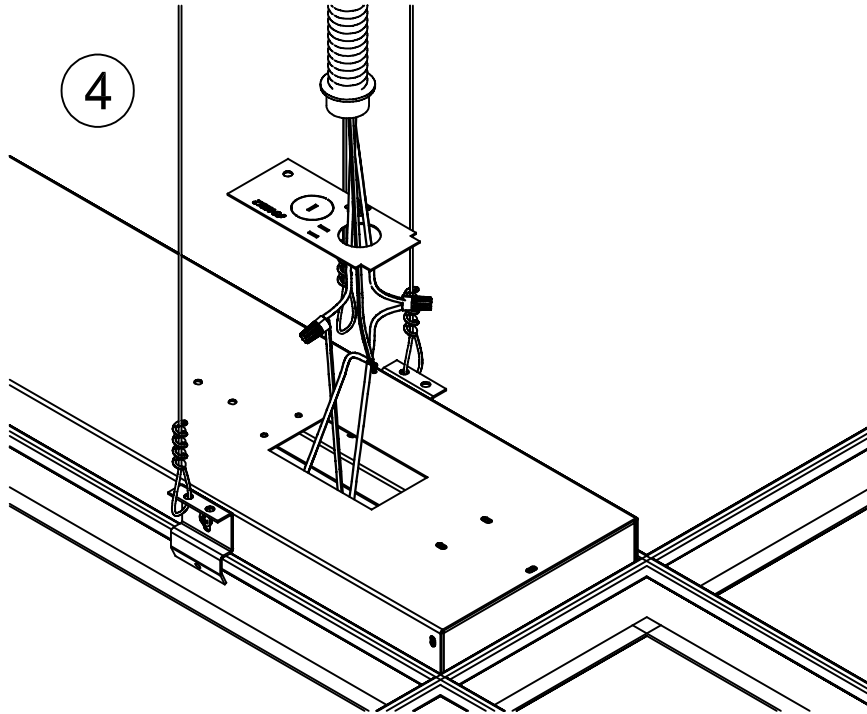
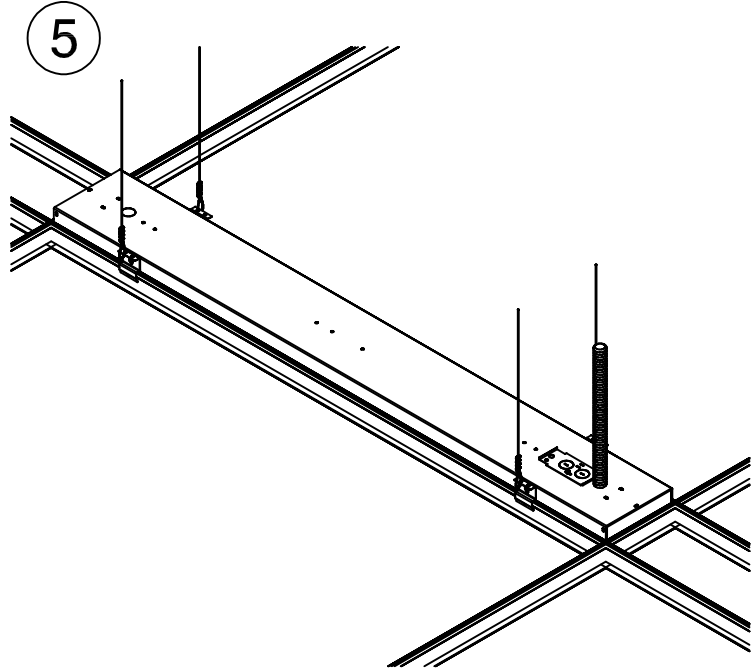
 **RISK OF ELECTRICAL SHOCK. DISCONNECT POWER BEFORE INSTALLATION OR SERVICING.**

 **TO BE INSTALLED BY A QUALIFIED ELECTRICIAN IN ACCORDANCE TO LOCAL & NATIONAL ELECTRIC CODES.**

 **DO NOT CONNECT, MODIFY, SPLICE, OR TAP ANY WIRED CONNECTIONS UNDER POWER.**

1. DROP FIXTURE INTO APPROPRIATE SIZED GRID OPENING FROM ABOVE GRID.
2. INSTALL SUPPLIED GRID CLIPS WITH SCREWS PROVIDED. (SHIPPED SEPERATELY)
3. INSTALL TIE WIRE TO FIXTURE AND SECURE OTHER END TO APPROPRIATE STRUCTURE TO SUPPORT WEIGHT OF FIXTURE.

4. REMOVE ACCESS PLATE AND/OR ELECTRICAL KNOCKOUT BRING FEED WIRES INTO FIXTURE. CONNECT SUPPLY WIRES AND FIXTURE WIRES USING APPROPRIATE CONNECTOR PER LOCAL ELECTRICAL CODES. STANDARD WIRING DIAGRAM SHOWN, REFER TO JOB DRAWINGS FOR JOB SPECIFIC WIRING
5. REINSTALL ACCESS PLATE AFTER ALL WIRING CONNECTIONS ARE MADE, INSTALLATION IS COMPLETE



MUST BE INSTALLED BY A QUALIFIED ELECTRICIAN. DISCONNECT POWER DURING INSTALLATION/SERVICING. ROW CONFIGURATION IS JOB SPECIFIC, CONSULT SHOP DRAWINGS BEFORE CONSTRUCTING ROWS. STANDARD OPTIONS/SIZES SHOWN, OTHER OPTIONS AVAILABLE WITH SIMILAIR INSTALLATION. BE SURE TO UNDERSTAND ALL PROCEDURES PRIOR TO INSTALLATION. IMPORTANT: THE NATIONAL ELECTRIC CODE REQUIRES THAT ANY FIXTURE IN EXCESS OF 50 POUNDS MUST BE INDEPENDENTLY SUPPORTED OF THE OUTLET BOX. DAY-O-LITE IS NOT RESPONSIBLE FOR INADEQUATE REINFORCEMENT OF STRUCTURAL SUPPORT SYSTEMS. DAY-O-LITE RESERVES THE RIGHT TO MAKE ANY MECHANICAL OR MATERIAL CHANGES TO THE FIXTURES WHICH DO NOT AFFECT THE APPEARANCE OR PERFORMANCE. THIS PRINT IS THE PROPERTY OF DAY-O-LITE AND THE INFORMATION IT CONTAINS MAY NOT BE USED WITHOUT WRITTEN CONSENT OF DAY-O-LITE.


MODEL NO.:
VARIOUS----

CONTACT INFORMATION:
126 Chestnut Street, Warwick, RI 02888
Tel. (401) 467-8232 | Fax. (401) 941-2960
E-mail: sales@dayolite.com
WWW: http://www.dayolite.com

PART NUMBER:
970007A0

PAGE:
SHEET 2 OF 2

ISSUED ON:
10/7/19



Lighting Without Limits