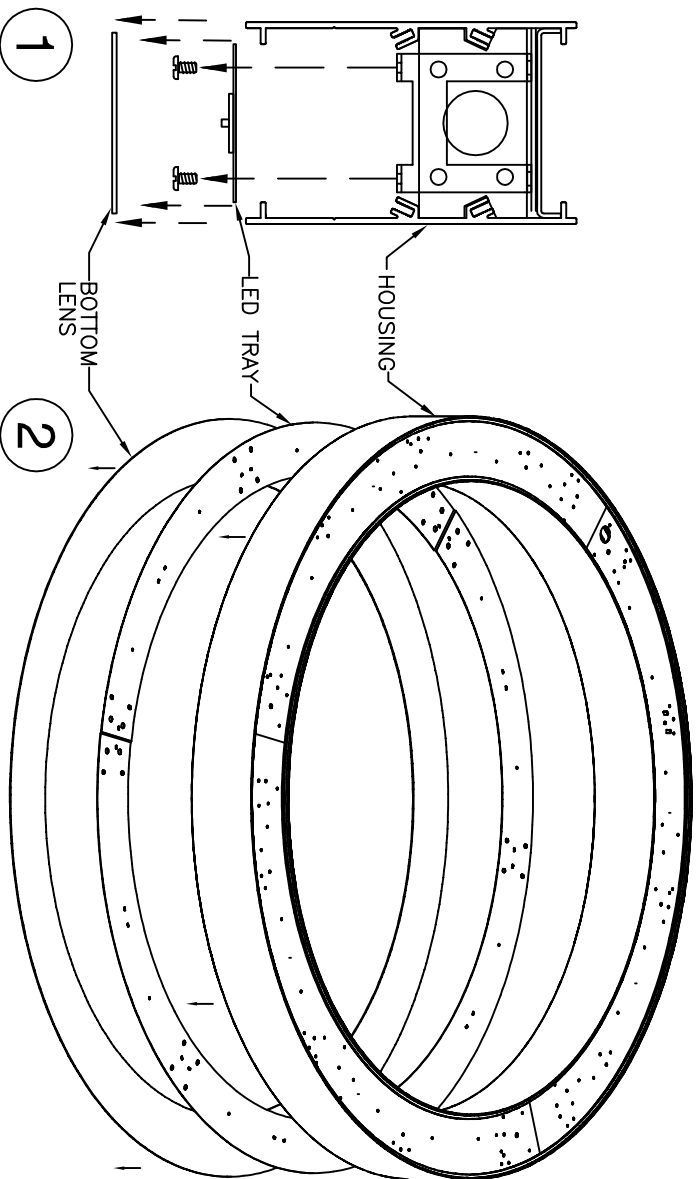
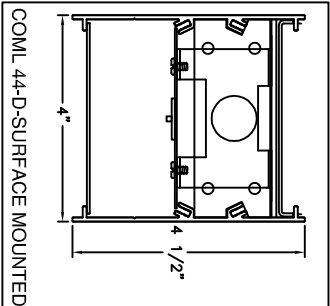
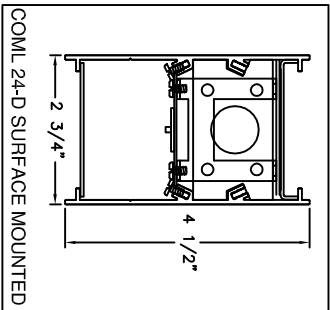
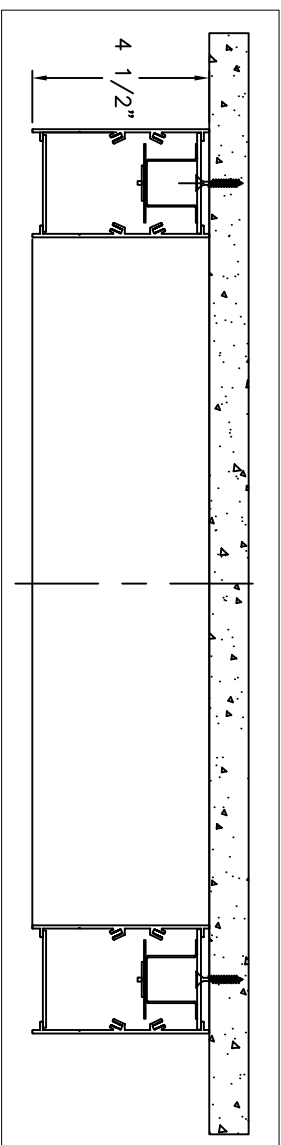
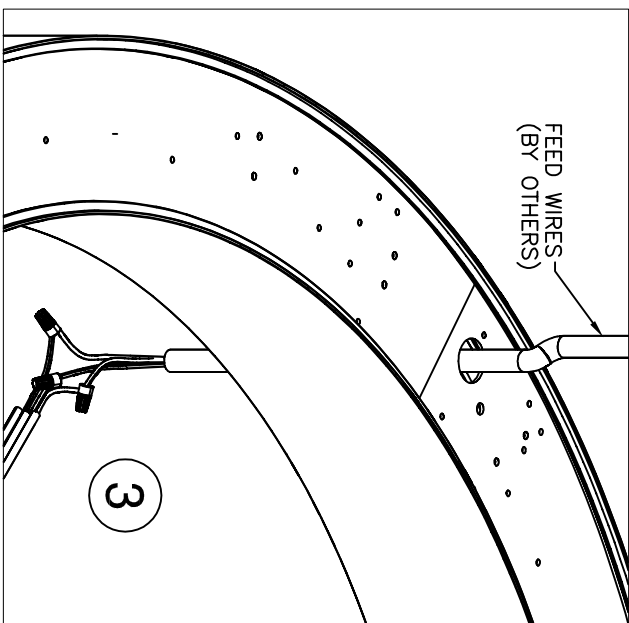


COML-D-SURFACE-INDIVIDUAL-INSTALLATION



	TO BE INSTALLED BY A QUALIFIED ELECTRICIAN IN ACCORDANCE TO LOCAL & NATIONAL ELECTRIC CODES.		DO NOT CONNECT LED TRAY(S) WHEN UNDER LOAD.		DO NOT CONSTRUCT ROW ON FLOOR & LIFT TO CEILING.
	FAILURE TO COMPLY TO INSTRUCTIONS & FORMENTIONED WARNINGS COULD VOID PRODUCT WARRANTY		DAY-O-LITE ASSUMES NO RESPONSIBILITIES FOR CLAIMS FOUNDED FROM IMPROPER INSTALLATION OR HANDLING.		CEILING TO BE PROPERLY REINFORCED TO SUPPORT WEIGHT OF THE FIXTURE.

1. DETERMINE LOCATION OF POWER FEED HOLE AND REMOVE LENS AND TRAY FROM FIXTURE WITH POWER FEED HOLE.
2. INSTALL POWER FEED
 - FEED POWER FEED WIRES THROUGH HOLE IN FIXTURE.
 - USE APPROPRIATE STRAIN RELIEF TO SECURE CORD IN FIXTURE AS REQUIRED BY LOCAL ELECTRICAL CODES (BY OTHERS).
 - CUT END FROM HARNESS AND CONNECT POWER FEED CONDUCTORS TO APPROPRIATE WIRES OF WIRE HARNESS. REFER TO JOB DRAWINGS FOR WIRE FEED DESIGNATIONS. --STANDARD WIRING SHOWN ABOVE---
3. MOUNT FIXTURE TO CEILING USING APPROPRIATE MOUNTING HARDWARE (BY OTHERS)
4. RE-INSTALL FIXTURE TRAY AND LENS



MUST BE INSTALLED BY A QUALIFIED ELECTRICIAN. DISCONNECT POWER DURING INSTALLATION/SERVICING. ROW CONFIGURATION IS JOB SPECIFIC. CONSULT SHOP DRAWINGS BEFORE CONSTRUCTING ROWS. STANDARD OPTIONS/SIZES SHOWN. OTHER OPTIONS AVAILABLE WITH SIMILAIR INSTALLATION. BE SURE TO UNDERSTAND ALL PROCEDURES PRIOR TO INSTALLATION. IMPORTANT: THE NATIONAL ELECTRIC CODE REQUIRES THAT ANY FIXTURE IN EXCESS OF 50 POUNDS MUST BE INDEPENDENTLY SUPPORTED OF THE OUTLET BOX. DAY-O-LITE IS NOT RESPONSIBLE FOR INADEQUATE REINFORCEMENT OF STRUCTURAL SUPPORT SYSTEMS. DAY-O-LITE RESERVES THE RIGHT TO MAKE ANY MECHANICAL OR MATERIAL CHANGES TO THE FIXTURES WHICH DO NOT AFFECT THE APPEARANCE OR PERFORMANCE. THIS PRINT IS THE PROPERTY OF DAY-O-LITE AND THE INFORMATION IT CONTAINS MAY NOT BE USED WITHOUT WRITTEN CONSENT OF DAY-O-LITE.

MODEL NO.:	COML 24/44-D.	PART NUMBER:	970078A0	PAGE:	SHEET 1 OF 1	ISSUED ON:	3/12/2020
CONTRACT INFORMATION:							
128 Chestnut Street, Warwick, RI 02888							
Tel. (401) 467-8232 Fax. (401) 941-2960							
E-mail: sales@dayo-lite.com							
WWW: http://www.dayo-lite.com							

