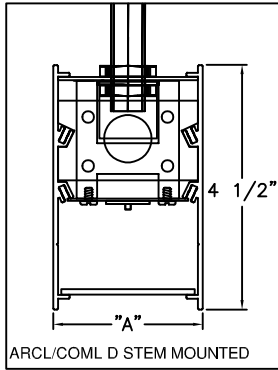
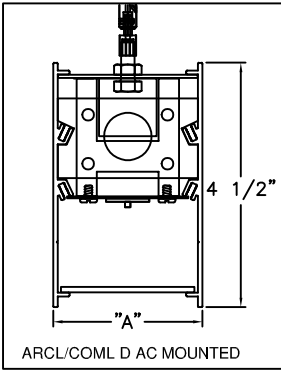


# ARCL/COML-D-AC-PATTERN-INSTALLATION



SERIES	DIM "A"
ARCL/COML 14-D	1 29/32"
ARCL/COML 24-D	2 3/4"
ARCL/COML 44-D	4"

TO BE INSTALLED BY A QUALIFIED ELECTRICIAN IN ACCORDANCE TO LOCAL & NATIONAL ELECTRIC CODES.

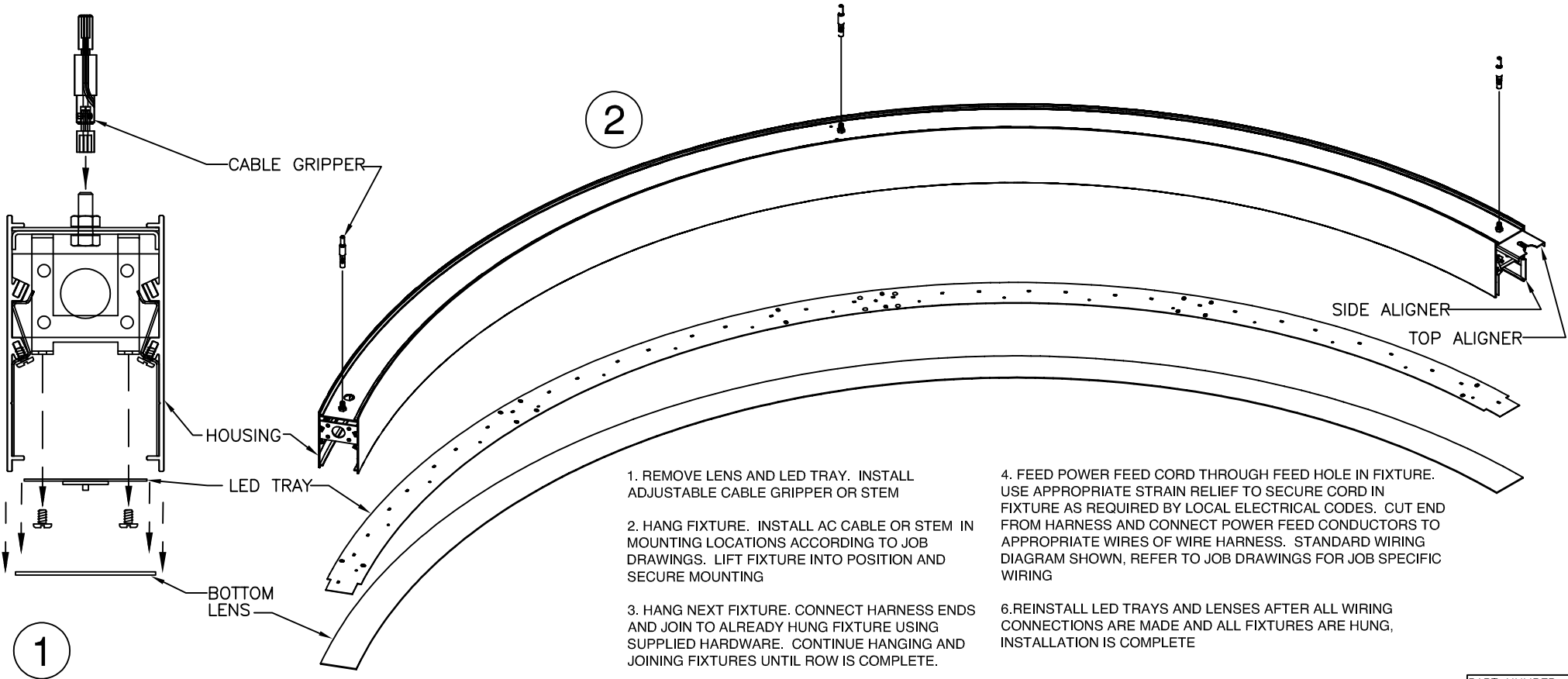
DO NOT CONNECT LED TRAY(S) WHEN UNDER LOAD.

DO NOT CONSTRUCT ROW ON FLOOR & LIFT TO CEILING.

FAILURE TO COMPLY TO INSTRUCTIONS & FORMENTIONED WARNINGS COULD VOID PRODUCT WARRANTY

DAY-O-LITE ASSUMES NO RESPONSIBILITIES FOR CLAIMS FOUNDED FROM IMPROPER INSTALLATION OR HANDLING.

CEILING TO BE PROPERLY REINFORCED TO SUPPORT WEIGHT OF THE FIXTURE.



1. REMOVE LENS AND LED TRAY. INSTALL ADJUSTABLE CABLE GRIPPER OR STEM

2. HANG FIXTURE. INSTALL AC CABLE OR STEM IN MOUNTING LOCATIONS ACCORDING TO JOB DRAWINGS. LIFT FIXTURE INTO POSITION AND SECURE MOUNTING

3. HANG NEXT FIXTURE. CONNECT HARNESS ENDS AND JOIN TO ALREADY HUNG FIXTURE USING SUPPLIED HARDWARE. CONTINUE HANGING AND JOINING FIXTURES UNTIL ROW IS COMPLETE.

4. FEED POWER FEED CORD THROUGH FEED HOLE IN FIXTURE. USE APPROPRIATE STRAIN RELIEF TO SECURE CORD IN FIXTURE AS REQUIRED BY LOCAL ELECTRICAL CODES. CUT END FROM HARNESS AND CONNECT POWER FEED CONDUCTORS TO APPROPRIATE WIRES OF WIRE HARNESS. STANDARD WIRING DIAGRAM SHOWN, REFER TO JOB DRAWINGS FOR JOB SPECIFIC WIRING

6. REINSTALL LED TRAYS AND LENSES AFTER ALL WIRING CONNECTIONS ARE MADE AND ALL FIXTURES ARE HUNG, INSTALLATION IS COMPLETE

MUST BE INSTALLED BY A QUALIFIED ELECTRICIAN. DISCONNECT POWER DURING INSTALLATION/SERVICING. ROW CONFIGURATION IS JOB SPECIFIC, CONSULT SHOP DRAWINGS BEFORE CONSTRUCTING ROWS. STANDARD OPTIONS/SIZES SHOWN, OTHER OPTIONS AVAILABLE WITH SIMILAIR INSTALLATION. BE SURE TO UNDERSTAND ALL PROCEDURES PRIOR TO INSTALLATION. IMPORTANT: THE NATIONAL ELECTRIC CODE REQUIRES THAT ANY FIXTURE IN EXCESS OF 50 POUNDS MUST BE INDEPENDENTLY SUPPORTED OF THE OUTLET BOX. DAY-O-LITE IS NOT RESPONSIBLE FOR INADEQUATE REINFORCEMENT OF STRUCTURAL SUPPORT SYSTEMS. DAY-O-LITE RESERVES THE RIGHT TO MAKE ANY MECHANICAL OR MATERIAL CHANGES TO THE FIXTURES WHICH DO NOT AFFECT THE APPEARANCE OR PERFORMANCE. THIS PRINT IS THE PROPERTY OF DAY-O-LITE AND THE INFORMATION IT CONTAINS MAY NOT BE USED WITHOUT WRITTEN CONSENT OF DAY-O-LITE.

MODEL NO.:  
ARCL/COML 24/44-D----

CONTACT INFORMATION:  
126 Chestnut Street, Warwick, RI 02888  
Tel. (401) 467-8232 | Fax. (401) 941-2960  
E-mail: sales@dayolite.com  
WWW: http://www.dayolite.com

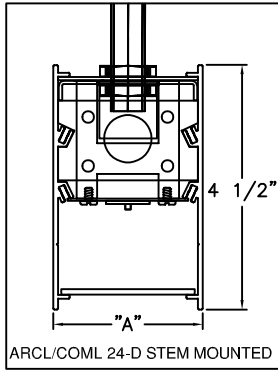
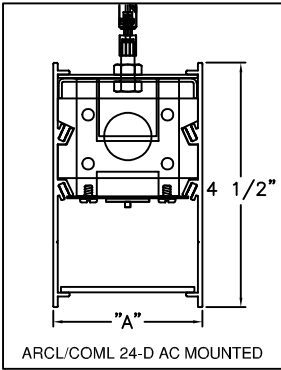
PART NUMBER:  
**970012A0**

ISSUED ON:  
10/11/19


PAGE:  
SHEET 1 OF 2


**DAY-O-LITE**  
Lighting Without Limits

# ARCL/COML-D-AC-PATTERN-INSTALLATION



SERIES	DIM "A"
ARCL/COML 14-D	1 29/32"
ARCL/COML 24-D	2 3/4"
ARCL/COML 44-D	4"

 TO BE INSTALLED BY A QUALIFIED ELECTRICIAN IN ACCORDANCE TO LOCAL & NATIONAL ELECTRIC CODES.

 DO NOT CONNECT LED TRAY(S) WHEN UNDER LOAD.

1. REMOVE LENS AND LED TRAY. INSTALL ADJUSTABLE CABLE GRIPPER OR STEM

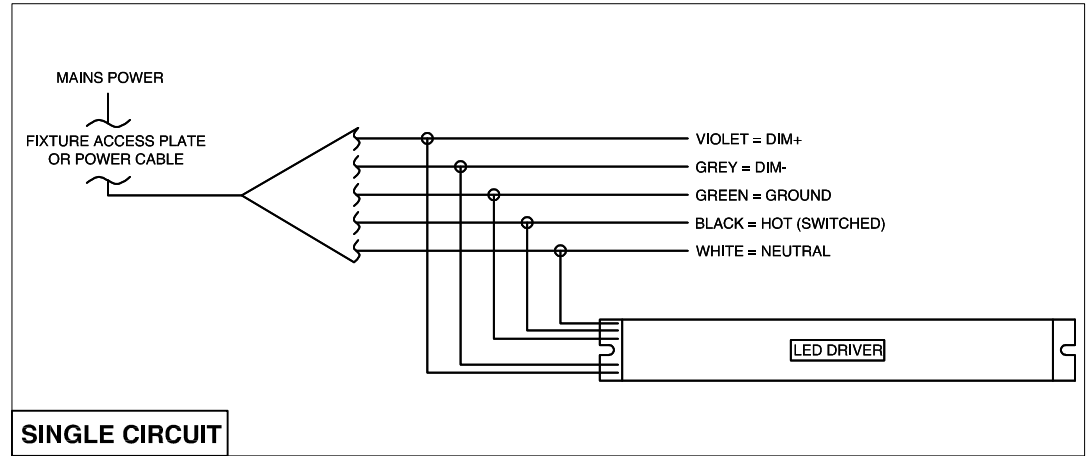
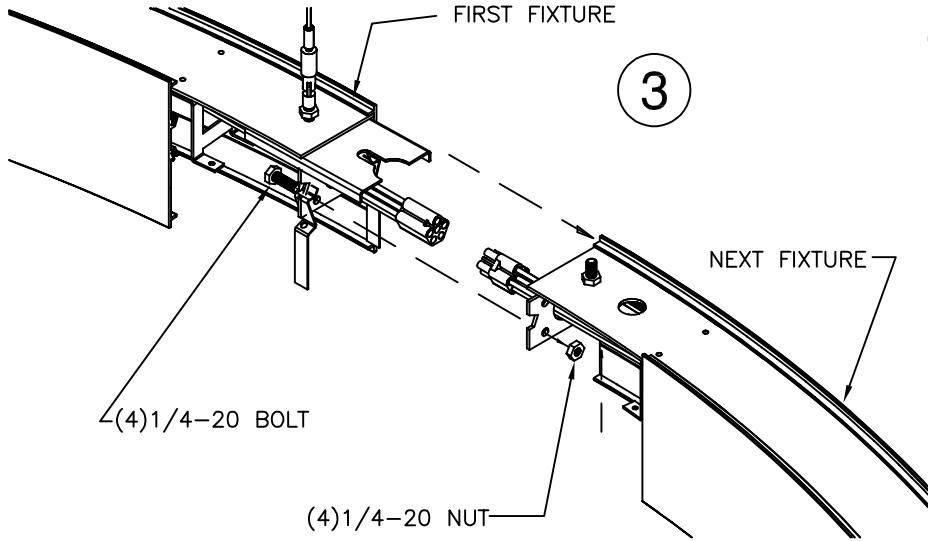
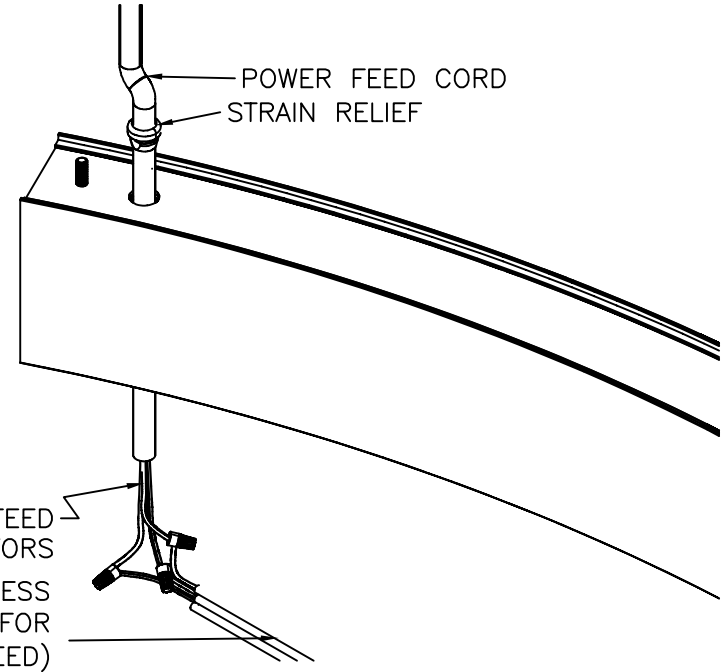
2. HANG FIXTURE. INSTALL AC CABLE OR STEM IN MOUNTING LOCATIONS ACCORDING TO JOB DRAWINGS. LIFT FIXTURE INTO POSITION AND SECURE MOUNTING

3. HANG NEXT FIXTURE. CONNECT HARNESS ENDS AND JOIN TO ALREADY HUNG FIXTURE USING SUPPLIED HARDWARE. CONTINUE HANGING AND JOINING FIXTURES UNTIL ROW IS COMPLETE.

4. FEED POWER FEED CORD THROUGH FEED HOLE IN FIXTURE. USE APPROPRIATE STRAIN RELIEF TO SECURE CORD IN FIXTURE AS REQUIRED BY LOCAL ELECTRICAL CODES. CUT END FROM HARNESS AND CONNECT POWER FEED CONDUCTORS TO APPROPRIATE WIRES OF WIRE HARNESS. STANDARD WIRING DIAGRAM SHOWN, REFER TO JOB DRAWINGS FOR JOB SPECIFIC WIRING

6. REINSTALL LED TRAYS AND LENSES AFTER ALL WIRING CONNECTIONS ARE MADE AND ALL FIXTURES ARE HUNG, INSTALLATION IS COMPLETE

4



MUST BE INSTALLED BY A QUALIFIED ELECTRICIAN. DISCONNECT POWER DURING INSTALLATION/SERVICING. ROW CONFIGURATION IS JOB SPECIFIC, CONSULT SHOP DRAWINGS BEFORE CONSTRUCTING ROWS. STANDARD OPTIONS/SIZES SHOWN, OTHER OPTIONS AVAILABLE WITH SIMILAIR INSTALLATION. BE SURE TO UNDERSTAND ALL PROCEDURES PRIOR TO INSTALLATION. IMPORTANT: THE NATIONAL ELECTRIC CODE REQUIRES THAT ANY FIXTURE IN EXCESS OF 50 POUNDS MUST BE INDEPENDENTLY SUPPORTED OF THE OUTLET BOX. DAY-O-LITE IS NOT RESPONSIBLE FOR INADEQUATE REINFORCEMENT OF STRUCTURAL SUPPORT SYSTEMS. DAY-O-LITE RESERVES THE RIGHT TO MAKE ANY MECHANICAL OR MATERIAL CHANGES TO THE FIXTURES WHICH DO NOT AFFECT THE APPEARANCE OR PERFORMANCE. THIS PRINT IS THE PROPERTY OF DAY-O-LITE AND THE INFORMATION IT CONTAINS MAY NOT BE USED WITHOUT WRITTEN CONSENT OF DAY-O-LITE.


MODEL NO.:  
ARCL/COML 24/44-D----

CONTACT INFORMATION:  
126 Chestnut Street, Warwick, RI 02888  
Tel. (401) 467-8232 | Fax. (401) 941-2960  
E-mail: sales@dayolite.com  
WWW: http://www.dayolite.com

PART NUMBER:  
**970012A0**

ISSUED ON:  
10/11/19

PAGE:  
SHEET 2 OF 2



**DAY-O-LITE**  
Lighting Without Limits