

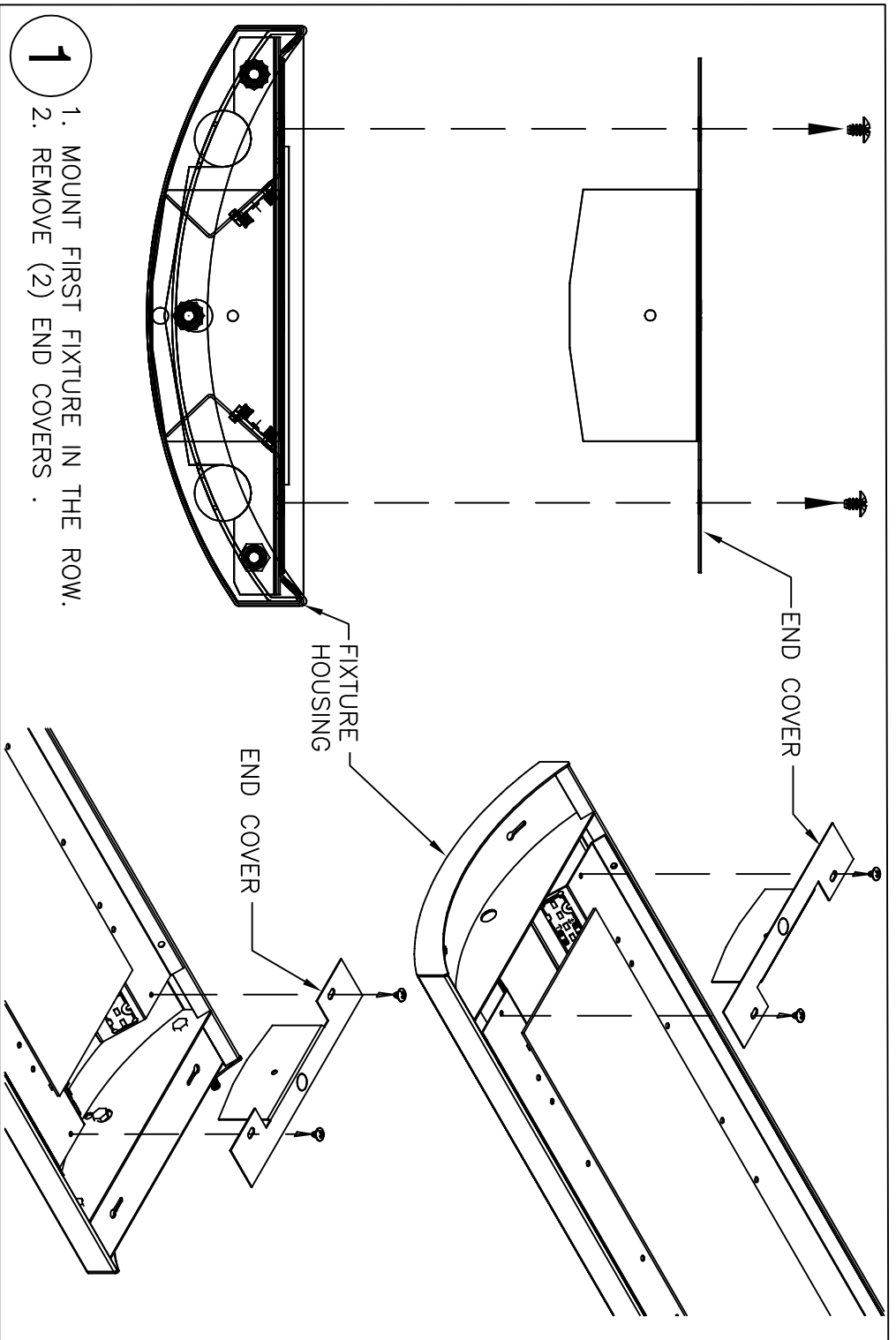
IMPORTANT

THE NATIONAL ELECTRIC CODE REQUIRES THAT ANY FIXTURE IN EXCESS OF 50 POUNDS MUST BE INDEPENDENTLY SUPPORTED OF THE OUTLET BOX. DAY-O-LITE IS NOT RESPONSIBLE FOR INADEQUATE REINFORCEMENT OF STRUCTURAL SUPPORT SYSTEMS.

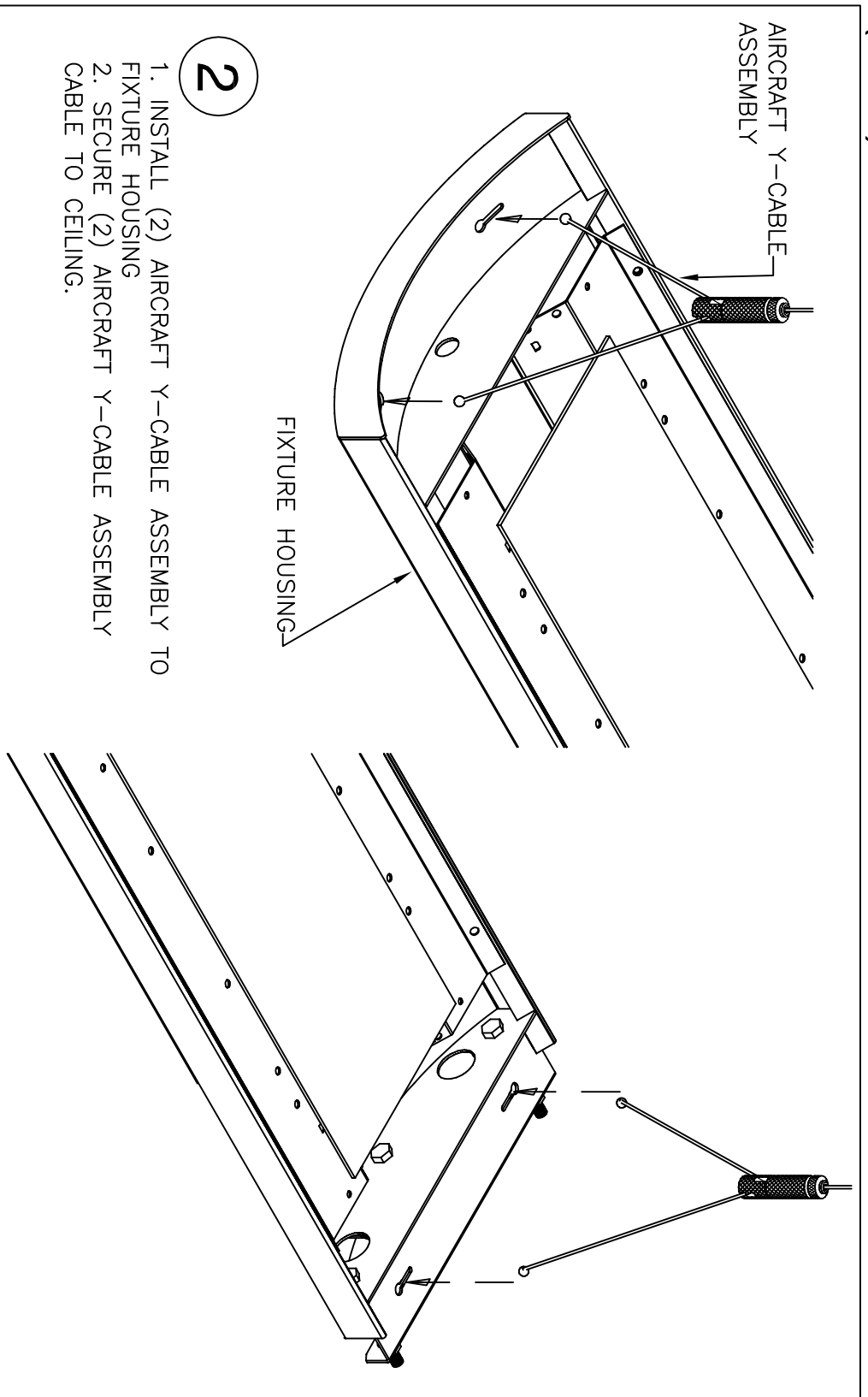
BE SURE TO READ AND UNDERSTAND ALL PROCEDURES BEFORE BEGINNING INSTALLATION

STYSL AIRCRAFT Y-CABLE (ACY)ROW INSTALLATION

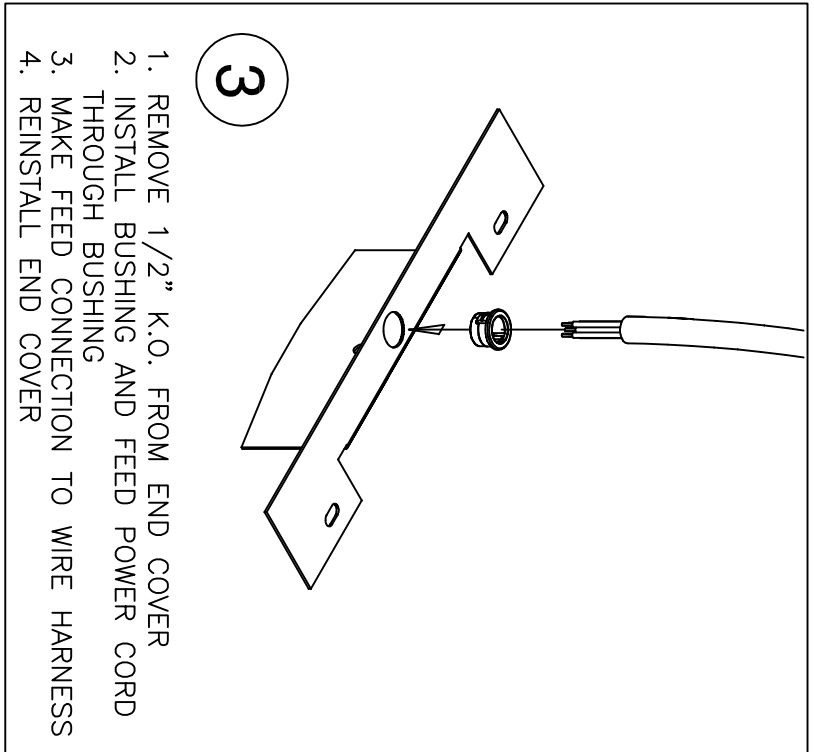
SHEET 1 OF 1



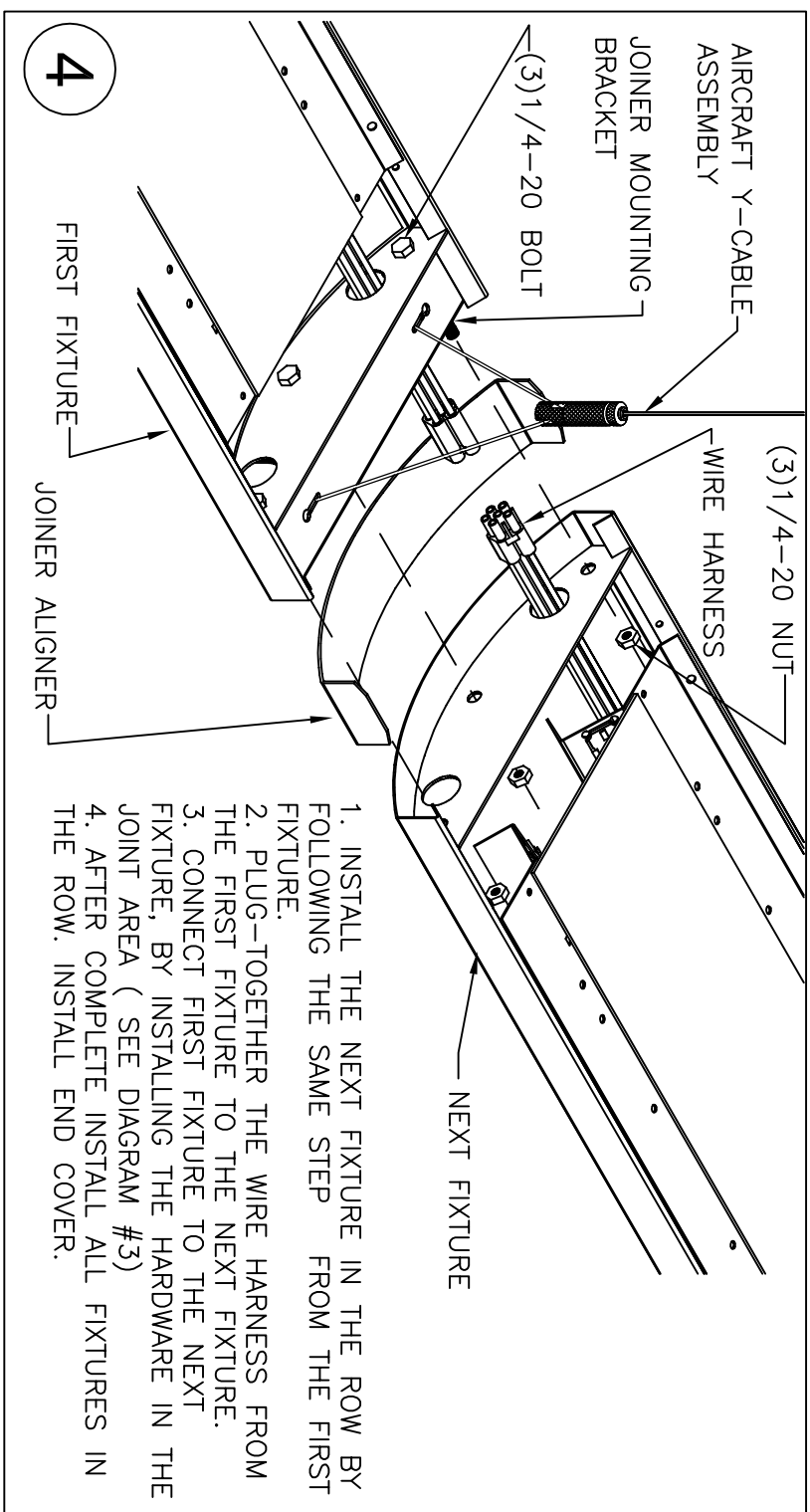
1. MOUNT FIRST FIXTURE IN THE ROW.
2. REMOVE (2) END COVERS .



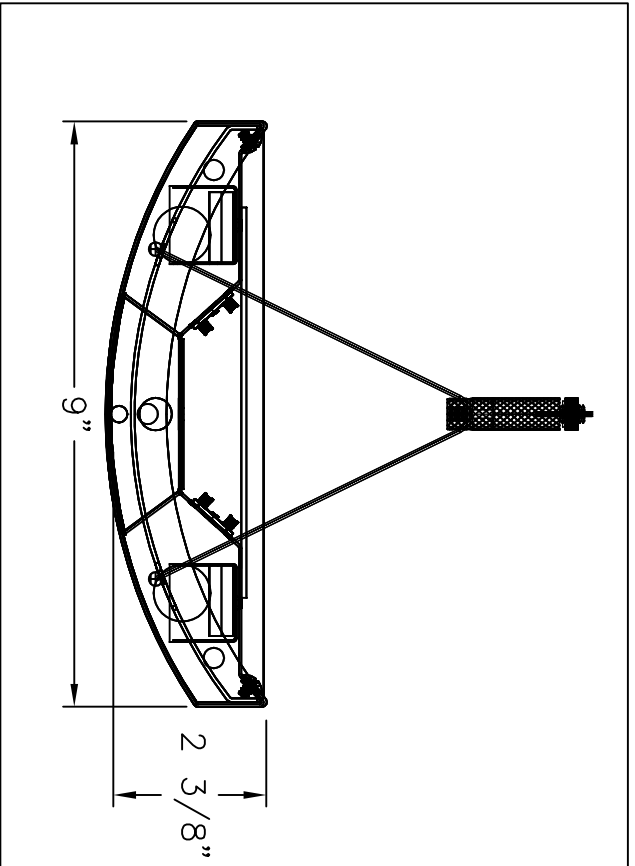
1. INSTALL (2) AIRCRAFT Y-CABLE ASSEMBLY TO FIXTURE HOUSING
2. SECURE (2) AIRCRAFT Y-CABLE ASSEMBLY CABLE TO CEILING.



1. REMOVE 1/2" K.O. FROM END COVER
2. INSTALL BUSHING AND FEED POWER CORD THROUGH BUSHING
3. MAKE FEED CONNECTION TO WIRE HARNESS
4. REINSTALL END COVER



1. INSTALL THE NEXT FIXTURE IN THE ROW BY FOLLOWING THE SAME STEP FROM THE FIRST FIXTURE.
2. PLUG-TOGETHER THE WIRE HARNESS FROM THE FIRST FIXTURE TO THE NEXT FIXTURE.
3. CONNECT FIRST FIXTURE TO THE NEXT FIXTURE, BY INSTALLING THE HARDWARE IN THE JOINT AREA (SEE DIAGRAM #3)
4. AFTER COMPLETE INSTALL ALL FIXTURES IN THE ROW. INSTALL END COVER.



DAY-O-LITE RESERVES THE RIGHT TO MAKE ANY MECHANICAL OR MATERIAL CHANGES TO THE FIXTURES WHICH DO NOT AFFECT THE APPEARANCE OR PERFORMANCE
THIS PRINT IS THE PROPERTY OF DAY-O-LITE AND THE INFORMATION IT CONTAINS MAY NOT BE USED WITHOUT WRITTEN CONSENT OF DAY-O-LITE