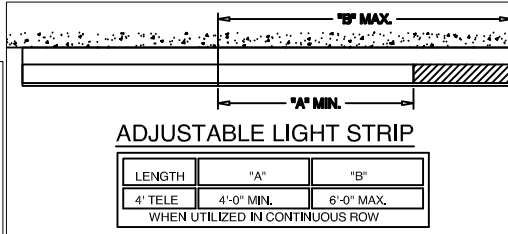
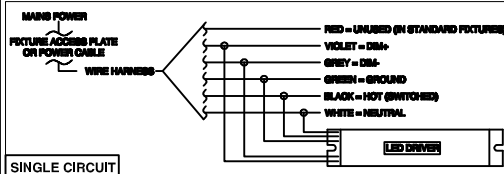


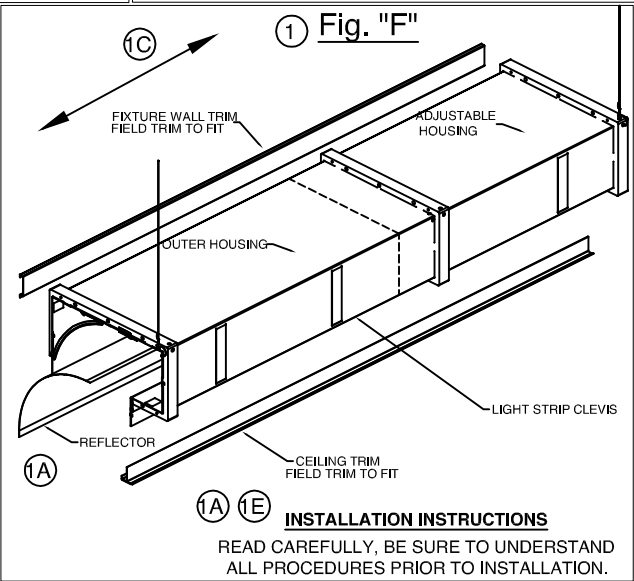
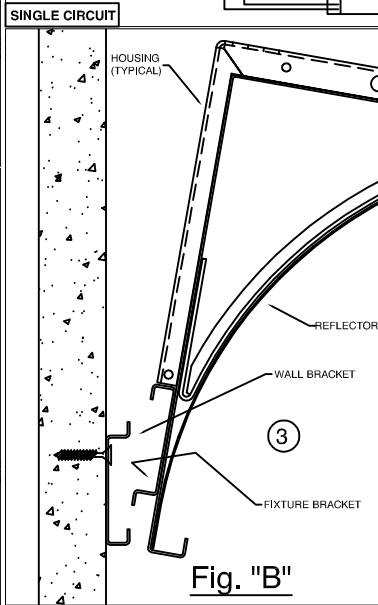
PNRL INSTALLATION

- TO BE INSTALLED BY A QUALIFIED ELECTRICIAN IN ACCORDANCE TO LOCAL & NATIONAL ELECTRIC CODES.
- MUST INSTALL PRIOR TO CEILING.
- DO NOT CONSTRUCT ROW ON FLOOR & LIFT TO CEILING.
- RISK OF ELECTRICAL SHOCK. DISCONNECT POWER BEFORE INSTALLATION OR SERVICING.

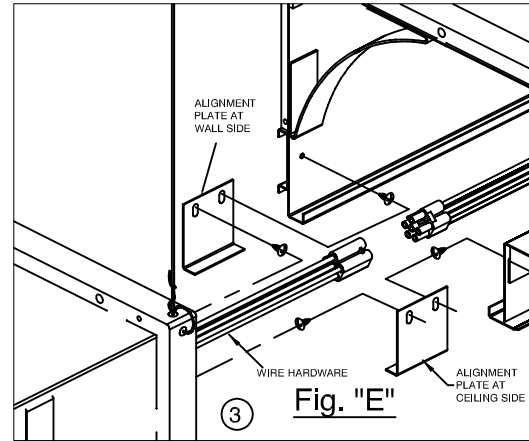


LENGTH	"A"	"B"
4' TELE	4'-0" MIN.	6'-0" MAX.

WHEN UTILIZED IN CONTINUOUS ROW



INSTALLATION INSTRUCTIONS
 READ CAREFULLY, BE SURE TO UNDERSTAND ALL PROCEDURES PRIOR TO INSTALLATION.



NOTE: READ THIS INSTRUCTION BEFORE YOU START

- PNR SERIES MECHANICAL & ELECTRICAL INSTALLATION INSTRUCTION**
 Install the "ER" (End of Row) Telescopic housing. This housing is designed to adjust plus or minus 12" inches. Example if the overall length of the wall is 24ft, the fixtures furnished will be able to accommodate a range of 23ft minimum to a length of 25ft. Maximum. The following steps are required to install this portion of the row.
 1a) Remove reflectors and trims from telescopic housing
 1b) Measure the aperture from the last intermediate fixture to the wall.
 1c) Adjust the external housing.
 1d) Cut off the excess Wall & Ceiling Trim square against end of the adjusted housing
 1e) Install the trims from inside the housing to outside so screw projection is in plenum
 1f) Install the End Closure at the end of the Telescopic Adjustable housing. See fig. "F" & "C"
- Loosen wireway and cover securing hardware, it is not necessary to remove the hardware.
 Adjust the wireway in or out to desired length, tighten the wireway securing screws. Release the cover spring clip and remove the cover securing nut. Be careful when removing covers as the secondary wires are still attached.
 Place wireway into housing within clevis clips, bend over tabs to be secure to housing. Ensure that the wires connecting primary circuit are extended from the end of wireway. Reinstall cover over spring clip and engage, tighten the cover securing nut. See fig. "A"
- Ensure the last "MR" Housing on the wall bracket is supported adequately.
 Install telescopic into ceiling plenum and make final adjustments. Provide temporary support of the fixture housing; do not allow the housing to hang from wall bracket unsupported. Secure housing on ceiling side with Tie Wire or 1/4" DIA. Threaded Rod. Ensure the housings are level and that the trims are aligned with the ceiling plane. Join the housings with (3) 8/32 screw and nut through the mounting yoke. See fig. "D", "E" & "B" Plug - together the wire harness
- Wiring** - Remove light strip wireway cover, and wire fixtures in accordance to the local and national electrical codes. Reinstall wireway covers, install the Shielding Element (Louver, Plastic or Cross Blade Baffle) from left to right while facing the wall. Note the last shielding module may need to be field cut to suit adjusted wall to wall dimensions. For better appearance, it is good practice to cut the last Shielding module 1/16" shorter than the aperture. Install the cut side towards the end of the row or to the end of the wall. See fig. "G".

Recommended tools for this Installation
 Screw drivers
 Hex head screwdriver for No. 8/32 hex. Nut.
 Drill & 1/8" DIA. (0.136") drill bit.
 Hack Saw
 Metal File

PART NUMBER:
970973A0

PAGE:
SHEET 1 OF 1

ISSUED ON:
2/7/2020



MODEL NO.:
PNRL
 CONTACT INFORMATION:
 180 Chestnut Street, Warwick, RI 02886
 Tel. (401) 467-8882 | Fax. (401) 941-8889
 E-mail: sales@dayolite.com
 WWW: http://www.dayolite.com

MUST BE INSTALLED BY A QUALIFIED ELECTRICIAN. DISCONNECT POWER DURING INSTALLATION/SERVICING. ROW CONFIGURATION IS JOB SPECIFIC, CONSULT SHOP DRAWINGS BEFORE CONSTRUCTING ROWS. STANDARD OPTIONS/SIZES SHOWN, OTHER OPTIONS AVAILABLE WITH SIMILAR INSTALLATION. BE SURE TO UNDERSTAND ALL PROCEDURES PRIOR TO INSTALLATION. IMPORTANT: THE NATIONAL ELECTRIC CODE REQUIRES THAT ANY FIXTURE IN EXCESS OF 60 POUNDS MUST BE INDEPENDENTLY SUPPORTED OF THE OUTLET BOX. DAY-O-LITE IS NOT RESPONSIBLE FOR INADEQUATE REINFORCEMENT OF STRUCTURAL SUPPORT SYSTEMS. DAY-O-LITE RESERVES THE RIGHT TO MAKE ANY MECHANICAL OR MATERIAL CHANGES TO THE FIXTURES WHICH DO NOT AFFECT THE APPEARANCE OR PERFORMANCE. THIS PRINT IS THE PROPERTY OF DAY-O-LITE AND THE INFORMATION IT CONTAINS MAY NOT BE USED WITHOUT WRITTEN CONSENT OF DAY-O-LITE.

