

JAZLFE WALL MOUNT INSTALLATION INSTRUCTIONS



RISK OF ELECTRICAL SHOCK. DISCONNECT POWER BEFORE INSTALLATION OR SERVICING.



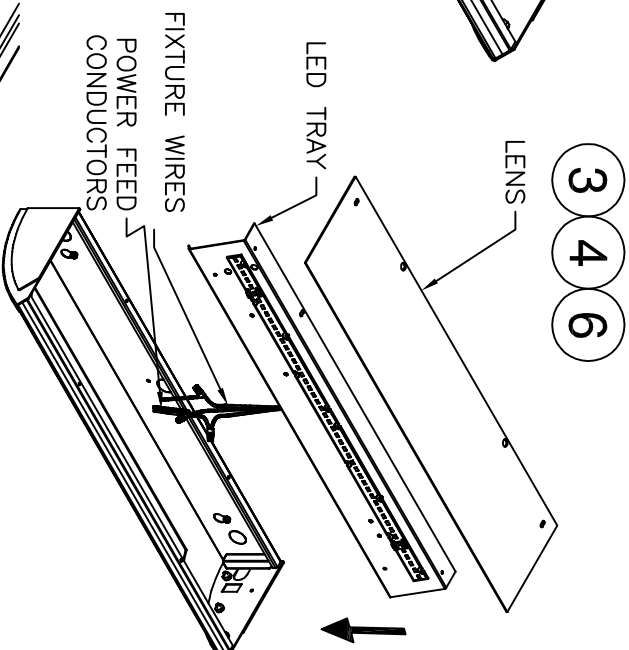
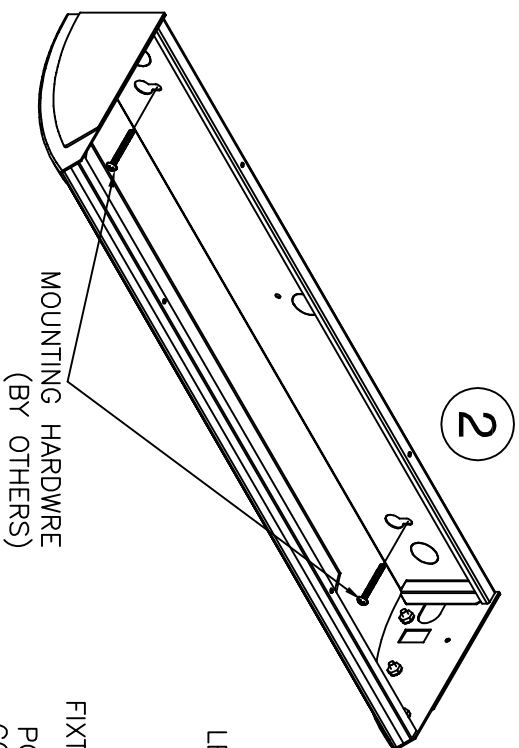
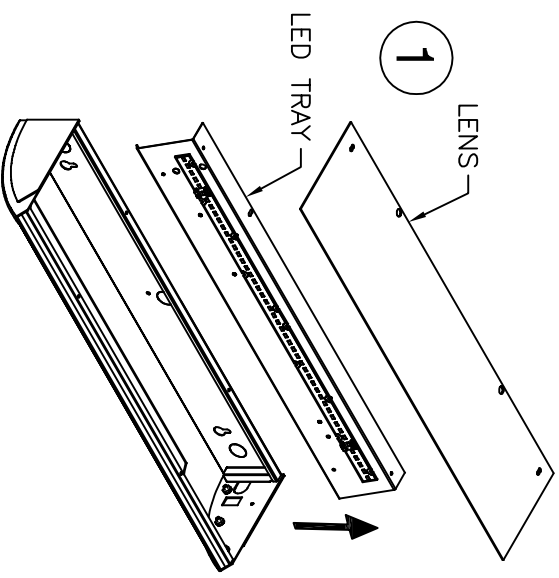
TO BE INSTALLED BY A QUALIFIED ELECTRICIAN IN ACCORDANCE TO LOCAL & NATIONAL ELECTRIC CODES.



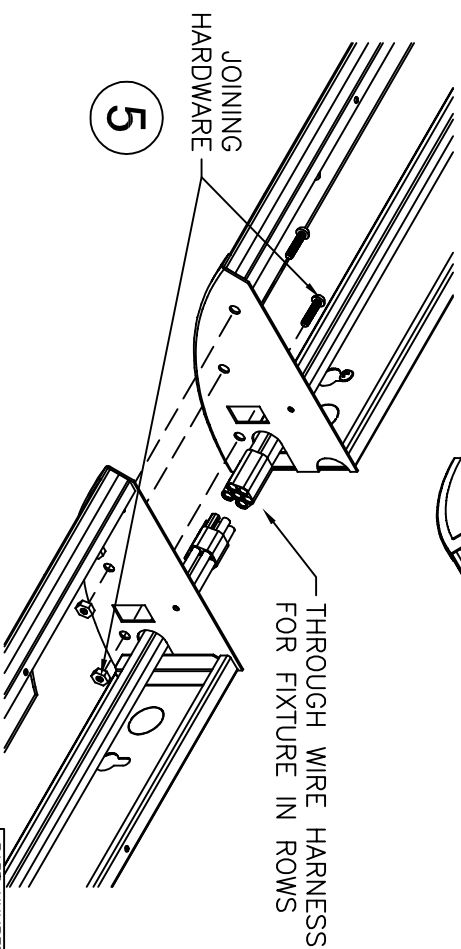
FAILURE TO COMPLY TO INSTRUCTIONS & FORMENTIONED WARNINGS COULD VOID PRODUCT WARRANTY



STRUCTURE TO BE PROPERLY REINFORCED TO SUPPORT WEIGHT OF THE FIXTURE.



1. REMOVE LENS AND LED TRAY FROM FIXTURE TO BE INSTALLED. **DO NOT MIX LENS OR TRAYS.**
2. MOUNT FIXTURE TO WALL USING APPROPRIATE HARDWARE (BY OTHERS) AT MOUNTING LOCATIONS. REFER TO JOB DRAWINGS FOR EXACT MOUNTING LOCATIONS.
3. REMOVE KO IN FEED LOCATION.
4. FEED POWER FIRES THROUGH KO. USE APPROPRIATE STRAIN RELIEF TO SECURE CORD IN FIXTURE AS REQUIRED BY LOCAL ELECTRICAL CODES. CONNECT FEED CONDUCTORS TO APPROPRIATE WIRES OF FIXTURE. STANDARD WIRING DIAGRAM SHOWN, REFER TO JOB DRAWINGS FOR JOB SPECIFIC WIRING.
5. IF FIXTURES ARE IN ROWS THEN CONNECT THROUGH WIRE HARNESSES TOGETHER AND TUCK INSIDE FIXTURE. JOIN FIXTURES WITH JOINING HARDWARE PROVIDED, PROPERLY ALIGN FIXTURES AND FASTEN HARDWARE SECURELY.
6. REINSTALL LED TRAY AND LENS AFTER ALL WIRING CONNECTIONS ARE MADE. RE-INSTALL LED TRAYS AND LENSES IN ALL FIXTURES. INSTALLATION IS COMPLETE



MUST BE INSTALLED BY A QUALIFIED ELECTRICIAN. DISCONNECT POWER DURING INSTALLATION/SERVICING. ROW CONFIGURATION IS JOB SPECIFIC. CONSULT SHOP DRAWINGS BEFORE CONSTRUCTING ROWS. STANDARD OPTIONS/SIZES SHOWN. OTHER OPTIONS AVAILABLE WITH SIMILAIR INSTALLATION. BE SURE TO UNDERSTAND ALL PROCEDURES PRIOR TO INSTALLATION. IMPORTANT: THE NATIONAL ELECTRIC CODE REQUIRES THAT ANY FIXTURE IN EXCESS OF 50 POUNDS MUST BE INDEPENDENTLY SUPPORTED OF THE OUTLET BOX. DAY-O-LITE IS NOT RESPONSIBLE FOR INADEQUATE REINFORCEMENT OF STRUCTURAL SUPPORT SYSTEMS. DAY-O-LITE RESERVES THE RIGHT TO MAKE ANY MECHANICAL OR MATERIAL CHANGES TO THE FIXTURES WHICH DO NOT AFFECT THE APPEARANCE OR PERFORMANCE. THIS PRINT IS THE PROPERTY OF DAY-O-LITE AND THE INFORMATION IT CONTAINS MAY NOT BE USED WITHOUT WRITTEN CONSENT OF DAY-O-LITE.

MODEL NO.: JAZL-	PAGE: SHEET 1 OF 1	PART NUMBER: 970118A0
CONTRACT INFORMATION: 128 Chestnut Street, Warwick, RI 02888 Tel. (401) 467-8232 Fax. (401) 941-2960 E-mail: sales@dayville.com WWW: http://www.dayville.com	ISSUED ON: 3/12/21	
 Lighting Without Limits		