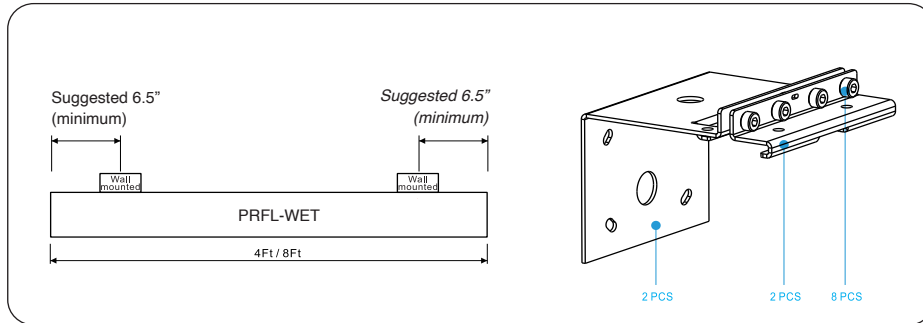


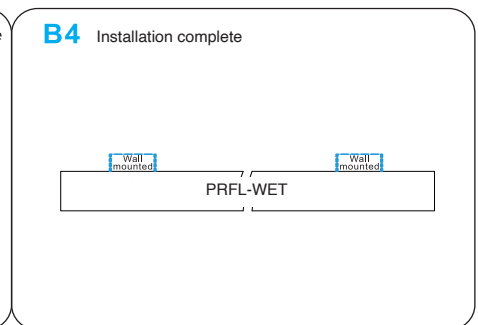
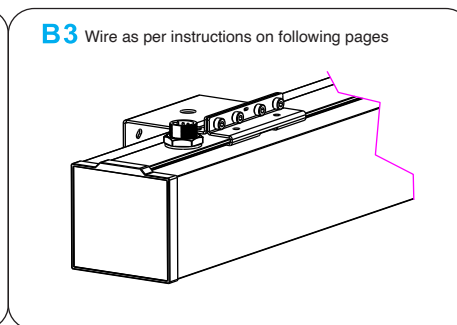
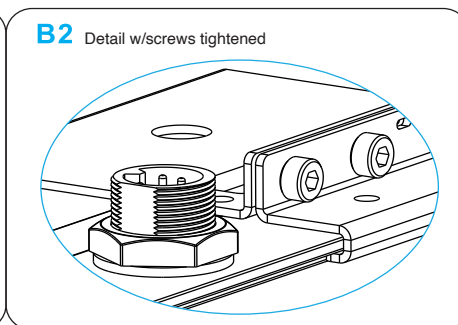
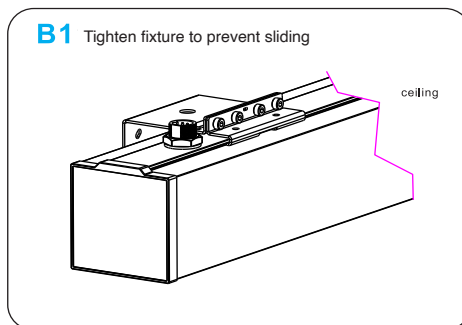
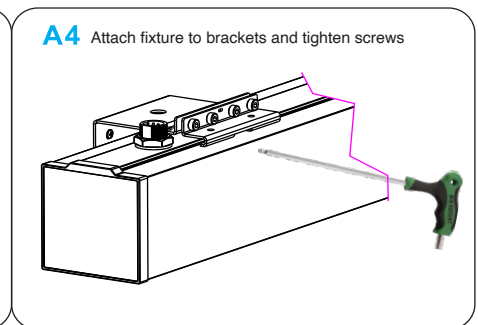
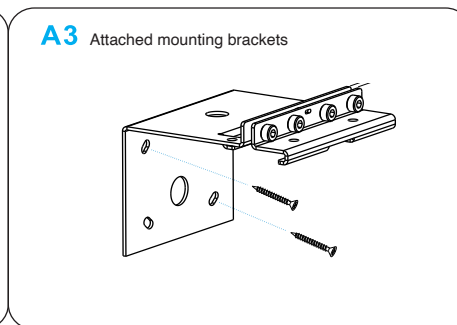
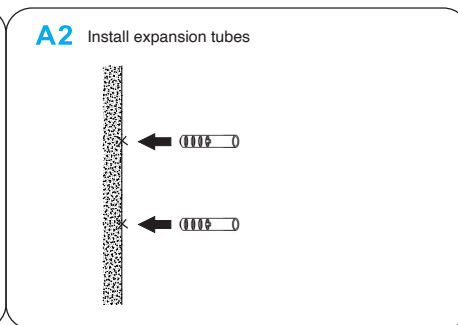
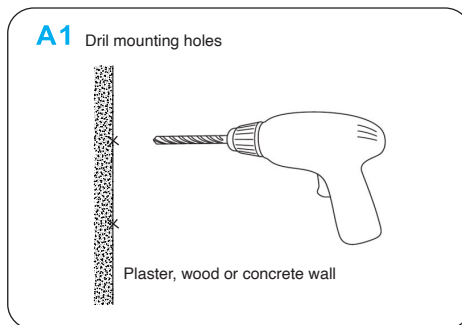
PRFL-WET Installation Guide

(Full instructions pages 2 and 3)




TOOLS FOR INSTALLATION


- 1) Drill & Bits (by others)
- 2) Philips Screw Drivers (by others)
- 3) 4mm Hex Wrench (included)



PRFL-WET Installation Guide




RISK OF ELECTRICAL SHOCK. DISCONNECT POWER BEFORE INSTALLATION OR SERVICING.



⚠ DANGER
Electric shock risk

TO BE INSTALLED BY A QUALIFIED ELECTRICIAN IN ACCORDANCE TO LOCAL & NATIONAL ELECTRIC CODES.



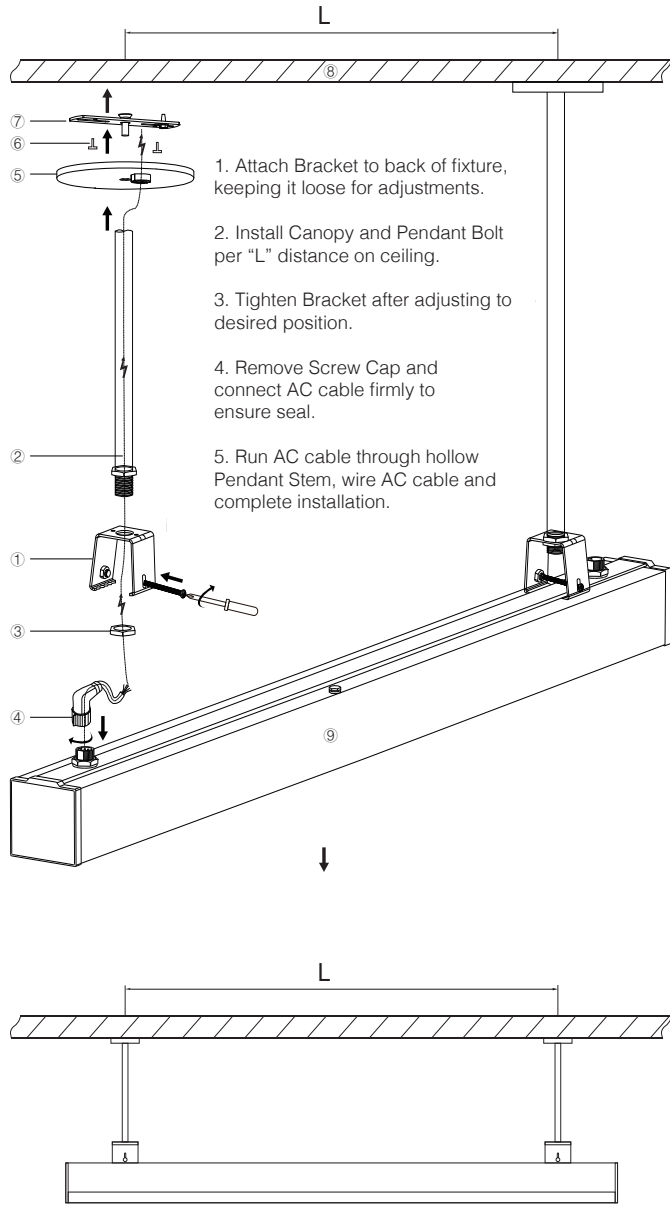
FAILURE TO COMPLY WITH INSTRUCTIONS AND WARNINGS COULD VOID WARRANTY.

1 Pendant-standard



PARTS:

- 1) Mounting Brackets * 2 2) G-3/4" Screw * 2 (by others) 3) Nut * 2 (by others)
- 4) AC cable * 1 5) Canopy * 2 Screw * 4 6) J-box Bracket * 2
- 7) Ceiling
- 8) PRFL-WET fixture

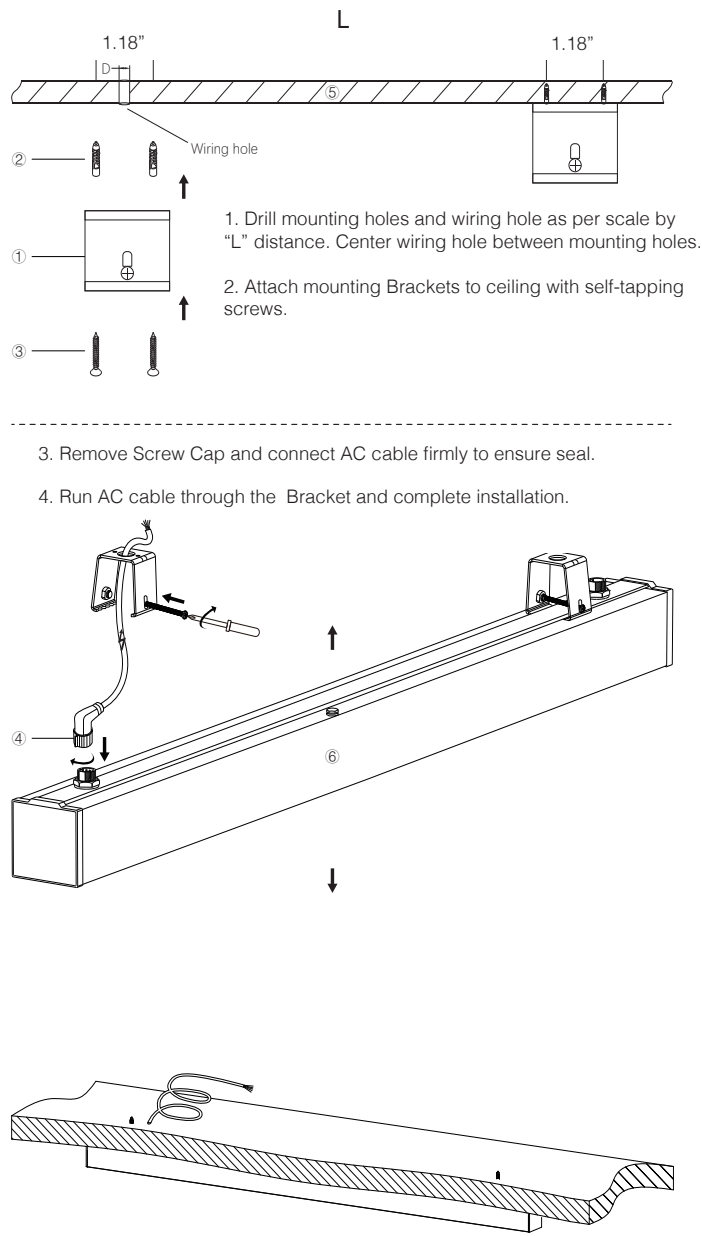


2 Ceiling mounted



PARTS:

- 1) Mounting Brackets * 2. 2) Expansion tube * 4 3) Self-tapping Screw * 4
- 4) AC Cable 5) Ceiling 6) PRFL-WET fixture



PRFL-WET Installation Guide



RISK OF ELECTRICAL SHOCK. DISCONNECT POWER BEFORE INSTALLATION OR SERVICING.



TO BE INSTALLED BY A QUALIFIED ELECTRICIAN IN ACCORDANCE TO LOCAL & NATIONAL ELECTRIC CODES.



FAILURE TO COMPLY WITH INSTRUCTIONS AND WARNINGS COULD VOID WARRANTY.

3 Wall mounted

PARTS:

- 1) Wall mount Bracket * 2
- 2) Expansion tubes * 4
- 3) Self-tapping screw *
- 4) AC cable * 1
- 5) Wall.
- 6) PRFL-WET fixture

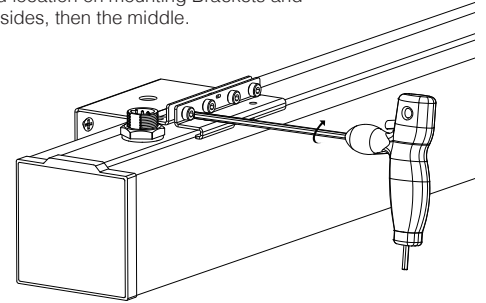


Suggested 6.5" (minimum)

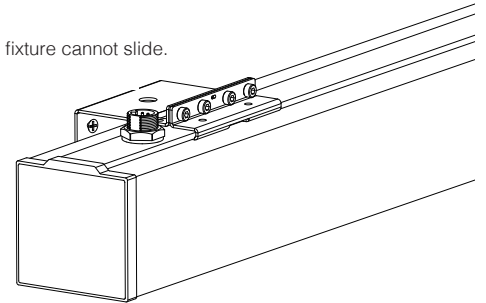
Suggested 6.5" (minimum)



5. Slide fixture to desired location on mounting Brackets and tighten screws from the sides, then the middle.



6. Tighten Bracket until fixture cannot slide.

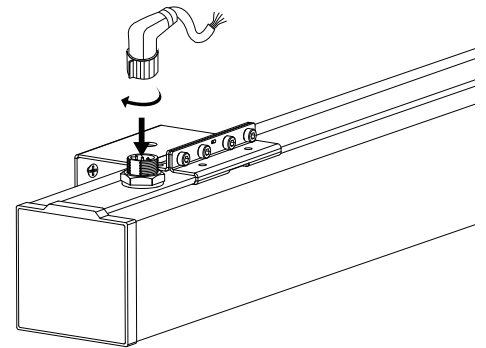
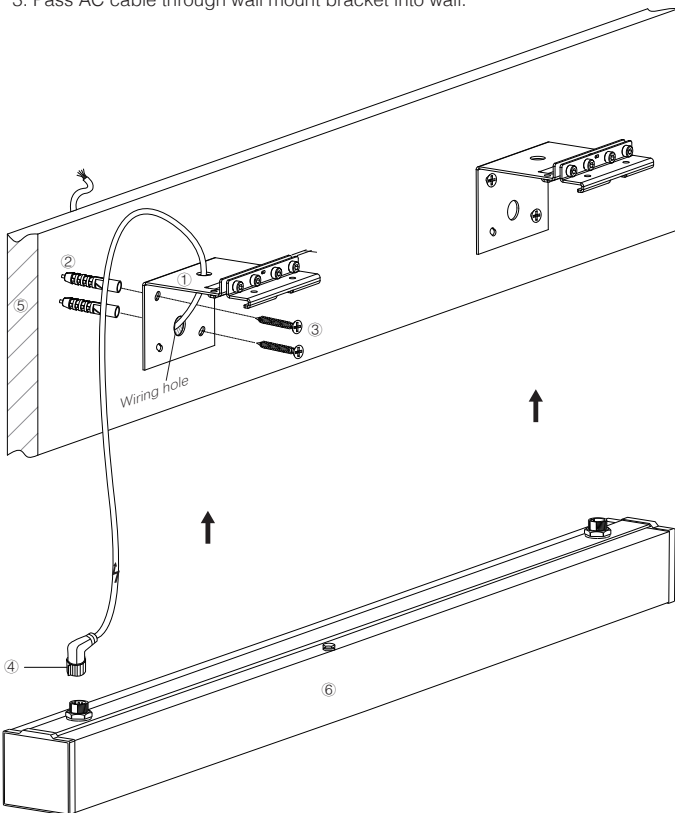


1. Open slot and wiring holes on plaster or wood ceiling and install expansion tubes.

2. Attach the wall mount Bracket to the wall with screws into expansion tubes, leaving a gap between the mounting Clips and the wall Bracket.

3. Pass AC cable through wall mount bracket into wall.

7. Remove Screw Cap and connect AC cable firmly to ensure seal.



8. Complete installation.

