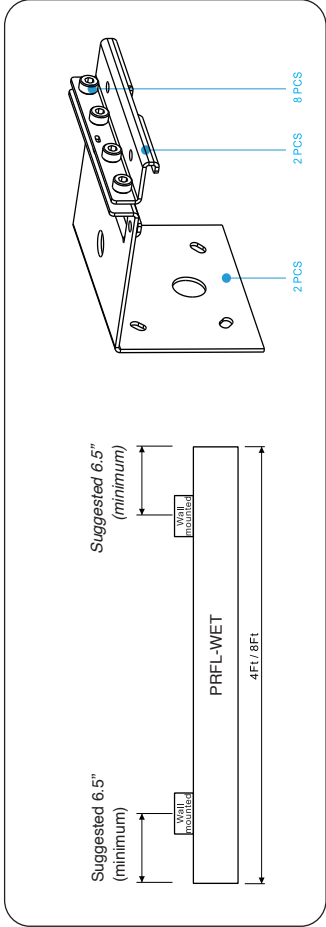


PRFL-WET Installation Guide

(Full instructions pages 2 and 3)



TOOLS FOR INSTALLATION

- 1) Drill & Bits (by others)
- 2) Philips Screw Drivers (by others)
- 3) 4mm Hex Wrench (included)

A1 Drill mounting holes

Plaster, wood or concrete wall

A2 Install expansion tubes

A3 Attached mounting brackets

A4 Attach fixture to brackets and tighten screws

B1 Tighten fixture to prevent sliding

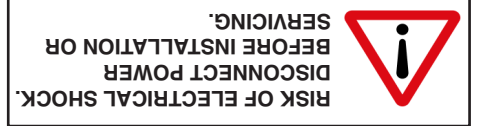
ceiling

B2 Detail w/screws tightened

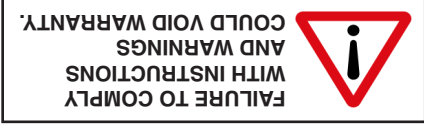
B3 Wire as per instructions on following pages

B4 Installation complete

PRFL-WET



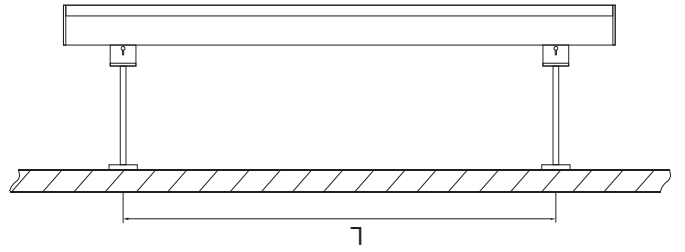
TO BE INSTALLED BY A QUALIFIED ELECTRICIAN IN ACCORDANCE TO LOCAL & NATIONAL ELECTRIC CODES.



1 Pendant-standard

- PARTS:**
- (1) Mounting Brackets * 2
 - (2) G-3/4" Screw * 2 (by others)
 - (3) Nut * 2 (by others)
 - (4) AC cable * 1
 - (5) Canopy * 2
 - (6) Screw * 4
 - (7) Ceiling
 - (8) PRL-WET fixture

1. Attach Bracket to back of fixture, keeping it loose for adjustments.
2. Install Canopy and Pendant Bolt per "L" distance on ceiling.
3. Tighten Bracket after adjusting to desired position.
4. Remove Screw Cap and connect AC cable firmly to ensure seal.
5. Run AC cable through hollow Pendant Stem, wire AC cable and complete installation.



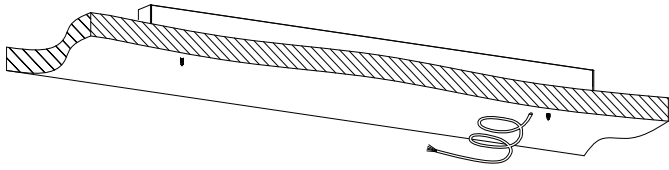
L

↑

2 Ceiling mounted

- PARTS:**
- (1) Mounting Brackets * 2
 - (2) Expansion tube * 4
 - (3) Self-tapping Screw * 4
 - (4) AC Cable
 - (5) Ceiling
 - (6) PRL-WET fixture

1. Drill mounting holes and wiring hole as per scale by "L" distance. Center wiring hole between mounting holes.
2. Attach mounting Brackets to ceiling with self-tapping screws.
3. Remove Screw Cap and connect AC cable firmly to ensure seal.
4. Run AC cable through the Bracket and complete installation.



L

↑

RISK OF ELECTRICAL SHOCK. DISCONNECT POWER BEFORE INSTALLATION OR SERVICING.

⚡ DANGER Electric shock risk

TO BE INSTALLED BY A QUALIFIED ELECTRICIAN IN ACCORDANCE TO LOCAL & NATIONAL ELECTRIC CODES.

FAILURE TO COMPLY WITH INSTRUCTIONS AND WARNINGS COULD VOID WARRANTY.

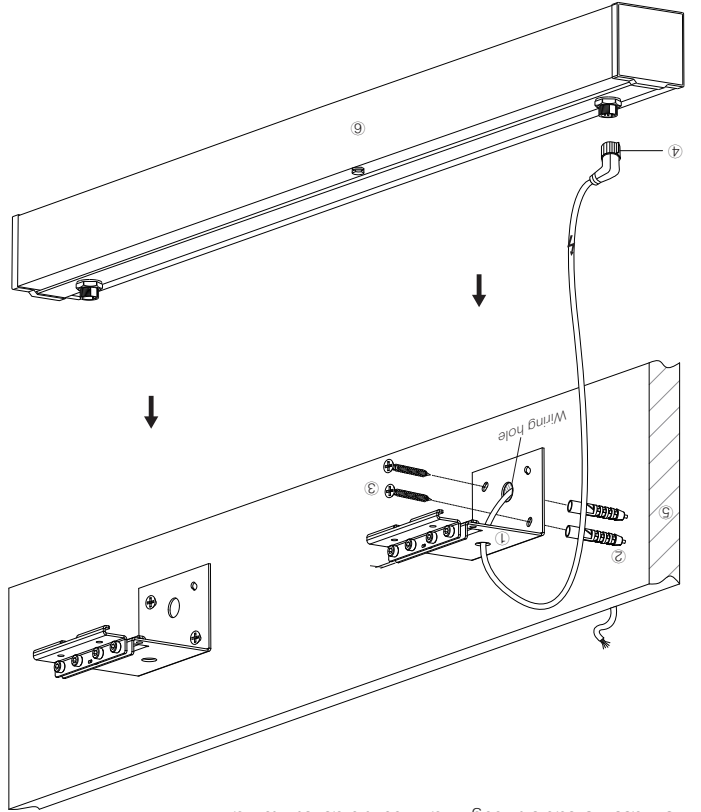
3 Wall mounted

PARTS:

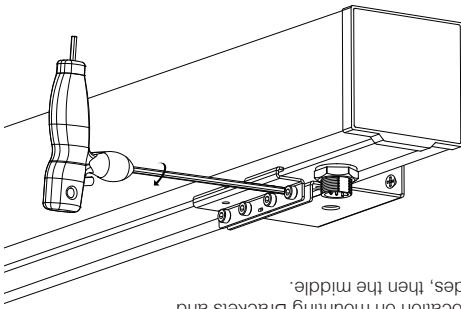
- 1) Wall mount Bracket * 2
- 2) Expansion tubes * 4
- 3) Self-tapping screw *
- 4) AC cable * 1
- 6) PRFL-WET fixture



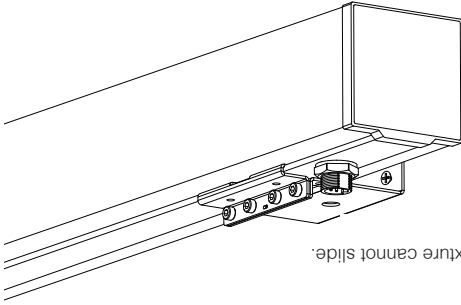
- 1. Open slot and wiring holes on plaster or wood ceiling and install expansion tubes.
- 2. Attach the wall mount Bracket to the wall with screws into expansion tubes, leaving a gap between the mounting Clips and the wall Bracket.
- 3. Pass AC cable through wall mount bracket into wall.



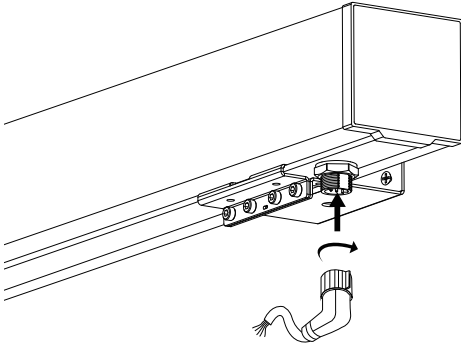
- 4. Slide fixture to desired location on mounting Brackets and tighten screws from the sides, then the middle.



- 5. Tighten Bracket until fixture cannot slide.



- 6. Remove Screw Cap and connect AC cable firmly to ensure seal.



- 7. Complete installation.

