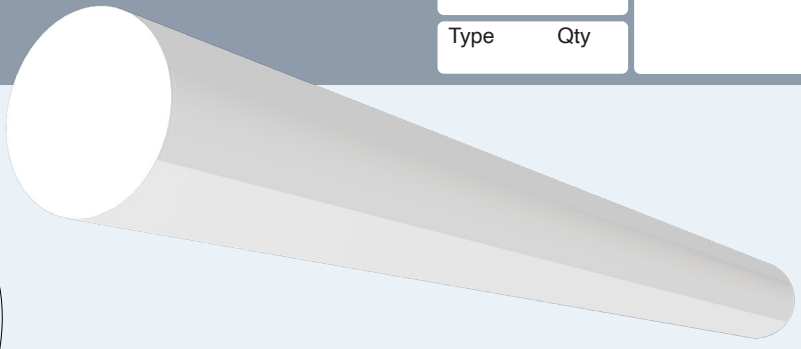
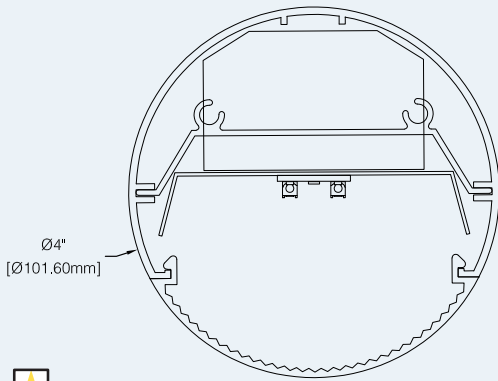




# Round Series | ADL-RO4-D

|         |     |       |
|---------|-----|-------|
| Date    |     | Notes |
| Project |     |       |
| Type    | Qty |       |



## Features

- Extruded aluminum housing w/welded end-plates.
- LED optimized optics for smooth illumination end-to-end.
- Suspension mount for individual fixtures, continuous runs or custom patterns.
- High efficiency programmable driver for custom lumen packages. 0-10V dimming to 1% standard.
- High efficacy LEDs in 80 or 90 CRI; two or three channel tunable white; five channel tunable color.

## Ordering Guide

| MODEL             | OPTICS                             | CCT <sup>1</sup>  | LUMENS <sup>2</sup>   | LENGTH <sup>3</sup>  | MOUNTING <sup>4</sup>                        | FINISH   | OPTIONS  |
|-------------------|------------------------------------|---|---|--|--|--|--|
| <b>ADL-RO4-D</b>  | <b>WRA</b>                         |   |   |  |  |  |  |
| ADL-RO4<br>Direct | WRA = White<br>Acrylic Ribbed Lens | 27 = 2700K 80CRI<br>30 = 3000K 80CRI<br>35 = 3500K 80CRI<br>40 = 4000K 80CRI<br>50 = 5000K 80CRI<br><br>90 CRI add *9' Ex:<br>940 = 4000K @ 90 CRI<br><br><b>TUNABLE WHITE &amp; COLOR<sup>1</sup></b><br><u>2-Channel White</u><br>2DIM10 = for 0-10V<br>2DALI = for DALI<br>2DMX = for DMX<br>2PSQ = for Lutron<br>2SNS = for Signify<br>2CAS = for Casambi<br><br><u>3-Channel White</u><br>3DML = for DLM<br><br><u>3-Channel Color</u><br>RGB<br><br><u>4-Channel Color/White</u><br>RGBW<br><br><u>5-Channel Color/Warm</u><br><u>White/Cool White</u><br>RGBWW | LO = 600/ft<br>(5W/ft, 114LPW)<br><br>SO = 800/ft<br>(7W/ft, 114LPW)<br><br>HO = 950/ft<br>(9W/ft, 106LPW)<br>Consult factory for additional lumen packages.<br><br>All values nominal. | 4 = 4 ft<br>6 = 6 ft<br>8 = 8 ft<br><br>For other enter row length (e.g. 48 = 48 ft) | AC = Aircraft Cable<br><br>PD = Pendant Stem | W = White<br>CC = Custom Color<br>AMW = Anti-Microbial White | <b>DIMMING DRIVERS</b><br>DIM10 = 0-10V (1%) - <b>Standard</b><br>DIMSR = 0-10V (5.0%) Sensor Ready<br>DIMST = Step Dimming (40%/100%)<br>DALI = DALI (5.0%)<br><br><b>LUTRON™ DIMMING DRIVERS</b><br>LDE1 = Hi-Lume™ 1% EcoSystem™<br>LDE5 = 5-Series 5% EcoSystem™<br>L3DA3W = Hi-Lume™ 1% 3-Wire<br>LTEA2W = Hi-Lume 1% 2-Wire 120V<br><br><b>SENSORS &amp; CONTROLS</b><br>ESN = Philips™ EasySense<br>DAY = Daylight Harvesting<br>OCC = Occupancy Sensor<br>CAS = Casambi Bluetooth control<br>VDO = Vive Sensor by Lutron<br><br><b>EMERGENCY</b><br>EMC = Emergency Circuit<br>GTD = Generator Transfer Device<br>EPC4 = 4W Emergency Battery Pack<br>EPC7 = 7W Emergency Battery Pack<br>EPC10 = 10W Emergency Battery Pack<br>EPC12 = 12W Emergency Battery Pack |

<sup>1</sup>Tunable white, tunable color and RGB/W options detailed on page 4.

<sup>2</sup>Delivered Lumens are Standard Output (SO) and Low Output (LO) at 80+CRI 4000K CCT. Use the following multiplier to estimate delivered lumens at other CCTs: 2700K = 0.94, 3000K = 0.96, 3500K = 0.98, 5000K = 1.02. All values nominal. See page 3 for photometry.

<sup>3</sup>See page 2 for actual fixture lengths and suspension locations.

<sup>4</sup>See page 3 for mounting details and full specifications.

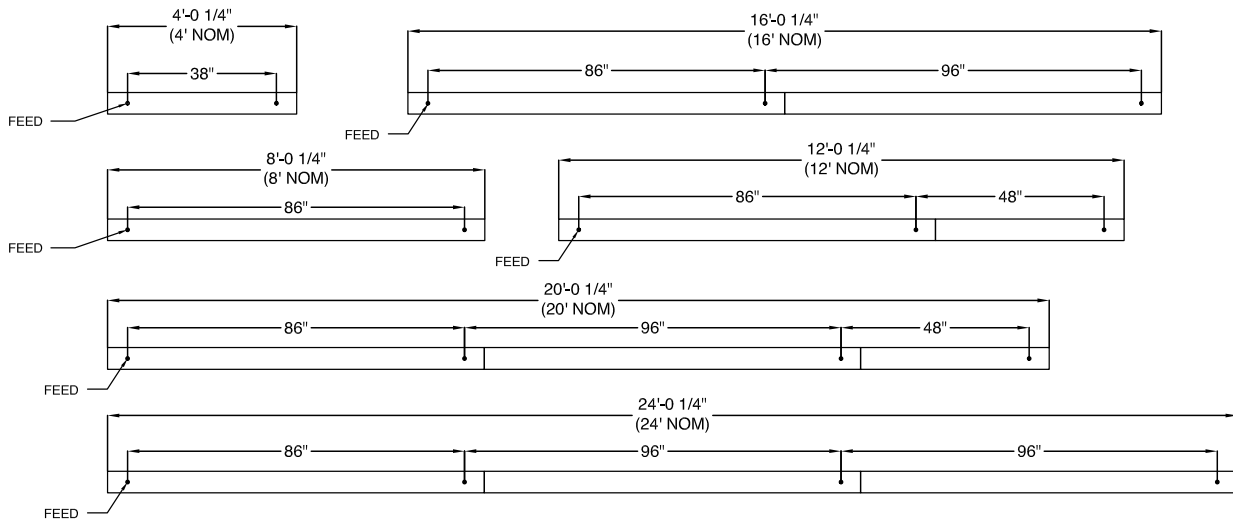


### Individual Fixtures & Continuous Rows

| NOMINAL LENGTH | ACTUAL LENGTH | SUSP. 1 O.C. | SUSP. 2 O.C. | SUSP. 3 O.C. |
|----------------|---------------|--------------|--------------|--------------|
| 4'             | 4' 1/4"       | 38"          |              |              |
| 8'             | 8' 1/4"       | 86"          |              |              |
| 12'            | 12' 1/4"      | 86"          | 48"          |              |
| 16'            | 16' 1/4"      | 86"          | 96"          |              |
| 20'            | 20' 1/4"      | 86"          | 96"          | 48"          |
| 24'            | 24' 1/4"      | 86"          | 96"          | 96"          |

Individual fixtures and rows are continuously illuminated and joined with included aligner brackets and hardware. Power feed locations and mounting locations are shown below.

Individual fixtures up to 8' nominal and continuous rows up to 24' nominal are dimensioned as shown below. Continuous rows longer than 8' and patterns, including EPC/EMC and sensor locations must be approved prior to manufacturing. See following page for specifying patterns.

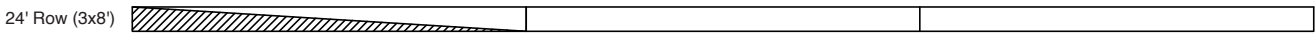


### Emergency & Sensor Locations

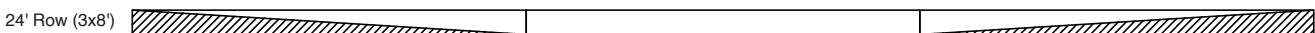
EPC will control entire length of individual fixtures. Individual fixtures of differing lengths will deliver the same lumens under EPC power (a 4' fixture will deliver the same total lumens over half the length of an 8' fixture). EMC controlled individual fixtures will deliver lumens per foot as originally specified, unless dimmed at time of power loss. Consult factory for EMC dimming override device.



For individual fixtures to 8' EPC/EMC will power entire fixture.



For continuous rows longer than 8' one EPC/EMC will be located in the feed section (end-left) of the row as shown below.



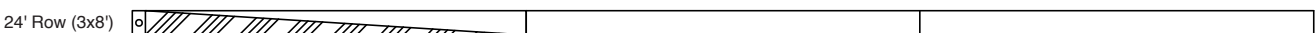
If two EPC/EMC's are required their default locations will be in the feed section (end-left) and last section (end-right) as below.



Custom placement of one or more EPC/EMC's must be clearly identified during ordering.



SENSORS (Integral) for individual fixtures will control entire length of fixture and will be located on feed end of fixture.

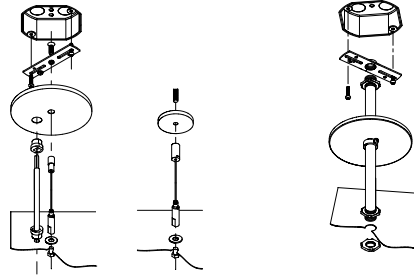


SENSORS for rows by default will control the feed section (end-left) of the row. Sensors can control more than an 8' section within a row. Consult factory for sensor/section options, or for multiple sensors in a continuous row.

## Standard Suspensions

Standard suspension options include adjustable self-locking aircraft cables (AC) and rigid pendant stems (PD). AC assembly is 48" x 1/16" with a 5" feed canopy and 2" suspension canopies. 60" 18 gauge power and 22 gauge dimming control SJT feed.

PD assemblies are 5/8" dia. (or 3/8" IP) hollow stem for power feed by others, 24" is standard. Consult factory for longer suspension lengths and other mounting options.

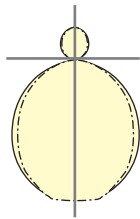


**AC** = Aircraft Cable

**PD** = Pendant Stem

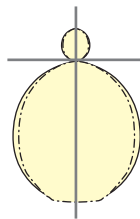
## Photometry

ADL-RO4-D-WRA-40-LO-4



4000K CCT  
WATTS: 21  
LUMENS: 2400  
LPW: 114  
Distribution:  
92% Direct,  
8% Indirect

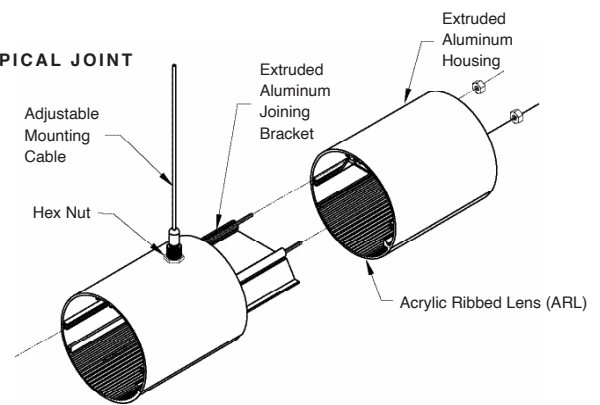
ADL-RO4-D-WRA-40-SO-4



4000K CCT  
WATTS: 28  
LUMENS: 3205  
LPW: 114  
Distribution:  
92% Direct,  
8% Indirect

## Installation Detail

### TYPICAL JOINT



## Specifications

**HOUSING:** Extruded aluminum housing. Joiner ends are notched for continuous appearance in row-mounted applications. Machined end-caps.

**REFLECTOR:** Die-formed steel finished in highly reflective baked white enamel.

**OPTICS:** LED optimized white ribbed acrylic lens (WRA) is standard.

**LEDS:** LED modules in 27/30/35/40 & 50K CCT, 80 CRI (90CRI available). Lumen maintenance minimum  $L_{70}$  = 50,000 hours. 3 SDCM color consistency. Zhaga™ compliant (Book 7). Field replaceable.

**DRIVER** Standard driver is Class 2 AOC 0-10V to 1%, 120/277V input, PF > 90%, THD < 20 @ 120V. Additional dimming protocols available. All drivers prewired from factory for connection to control system (by others). Field replaceable.

**MOUNTING** Standard options include adjustable self-locking aircraft cables (AC), and rigid pendant stems (PD). AC assembly is 48" x 1/16" with a 5" feed canopy and 2" suspension canopies. 18 gauge power and 22 gauge dimming control SJT feed.

**FINISH:** Aluminum fixture housing and steel components are finished in baked white enamel applied over a five-stage pretreatment process. Canopies and pendant stems are white enamel unless otherwise specified.

**CERTIFICATION:** Luminaires are cETLus listed conforming to UL STD. 1598 and certified to CSA STD C22.2 NO. 250.0. Suitable for dry & damp locations. Union Made in the United States of America. I.B.E.W. RoHS compliant.

Day-O-Lite offers a variety of tunable white and tunable color options for a range of human centric applications and budgets. It is recommended that a recognized authority on the benefits and best practices of tunable white be consulted prior to specification. As a rule, fewer channels will provide a basic level of performance for budget conscious applications. Conversely, an increased number of channels, a wider CCT range, higher CRI and more precise color consistency may be more appropriate depending on the application and desired results.

## HOW TO SPECIFY

Select from the various channel/control options below and insert desired **Ordering Code** into the **COLOR TEMP** column of the Ordering Guide on page 1. No need to add a dimming option as the codes include the chosen protocol.

### 2-CHANNEL TUNABLE WHITE OPTIONS

2700K - 6500K CCT range  
 1000L/ft LED modules @ 4000K  
 80+ CRI w/3SDCM color accuracy  
 10W/ft. nominal power

#### Ordering Codes

**2DIM10** for 0-10V control  
**2DALI** for DALI control  
**2DMX** for DMX control  
**2PSQ** for Lutron Quantum control  
**2SNS** for control via Signify SNS sensors  
**2CAS** for control via Casambi BLE wireless devices

### LEGRAND BLANCO MULTI-CHANNEL OPTIONS

#### Blanco-2

Blanco-2 mixes two channels of white LEDs to approximate the blackbody curve for tunable white applications. CCT and intensity may be adjusted with controls by others.

3000K-5000K CCT range  
 1000L/ft LED modules @ 4000K  
 90+ CRI w/2SDCM color accuracy  
 10W/ft. nominal power

#### Ordering Codes

**B2DLM** for DLM control

#### Blanco-3

Blanco-3 mixes three channels of white LEDs across a wider range of color temperatures for more demanding tunable white applications. CCT and intensity may be adjusted with controls by others.

2700K-6500K CCT range  
 1000L/ft. LED modules @ 4000K  
 90+ CRI w/SDCM color accuracy  
 10W/ft. nominal power

#### Ordering Codes

**B3DLM** for DLM control

### RGB & RGBW TUNABLE COLOR

RGB = Red, Green, Blue color mixing LEDs  
 RGB/W = Red, Green, Blue + White of chosen CCT  
 Dimming from 100% to 1%.  
 90+ CRI w/3SDCM color accuracy  
 10W/ft. nominal power

#### Notes:

RGB requires an RGB DMX or DALI controller (by others)

RGBW requires an RGBW DMX or DALI controller (by others)

All channels on one driver is standard, if isolating the White from the RGB channels is desired please consult factory.

RGB and RGBW are not recommended for tunable white applications.

#### Ordering Codes

**RGB** for DMX control  
**RGB27** for DMX control w/2700K white  
**RGB30** for DMX control w/3000K white  
**RGB35** for DMX control w/3500K white  
**RGB40** for DMX control w/4000K white  
**RGB50** for DMX control w/5000K white  
**RGB65** for DMX control w/6500K white  
 Add Suffix **DAL** for DALI Control to codes above.

### 5-CHANNEL TUNABLE WHITE AND COLOR

RGBWW = Red, Green, Blue, Warm White, Cool White.

Consult factory for RGBWW tunable white/color options.

Day-O-Lite makes no claims as to the psychological or physiological efficacy of the white color tuning options offered herein.